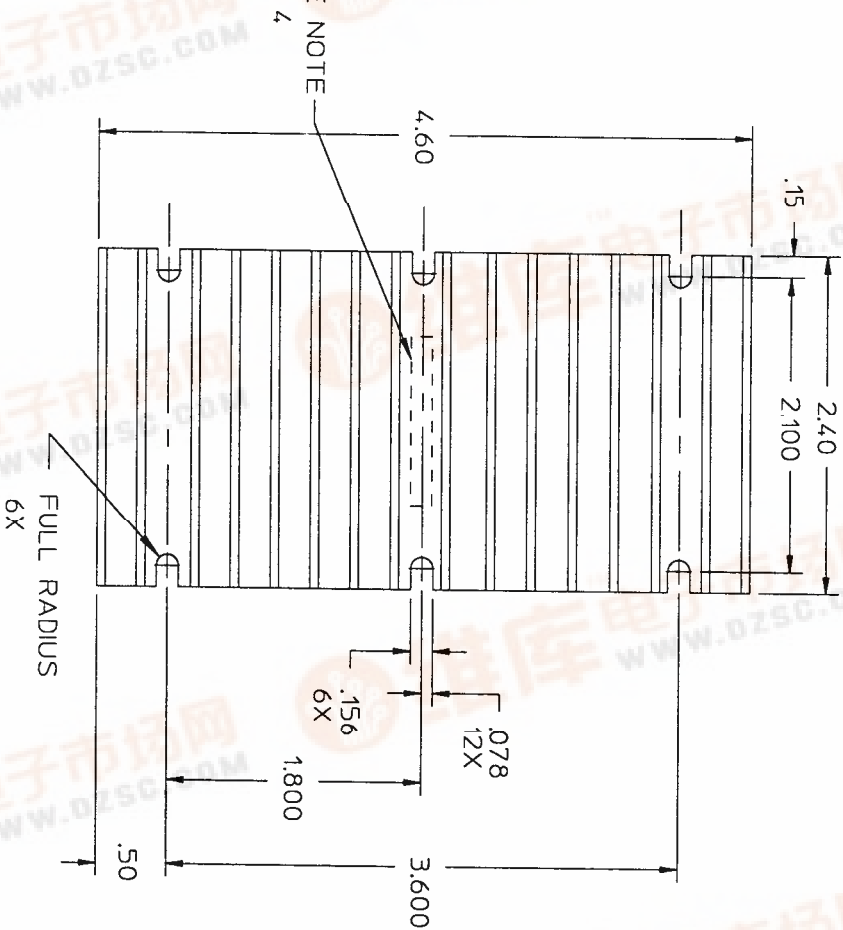


VICOR CONFIDENTIAL

THIS DOCUMENT AND THE DATA DISCLOSED HEREIN OR HEREWITH IS NOT TO BE REPRODUCED, USED, OR DISCLOSED IN WHOLE OR IN PART TO ANYONE WITHOUT PERMISSION OF VICOR CORP.

捷多邦, 专业PCB打样工厂, 24小时加急出货

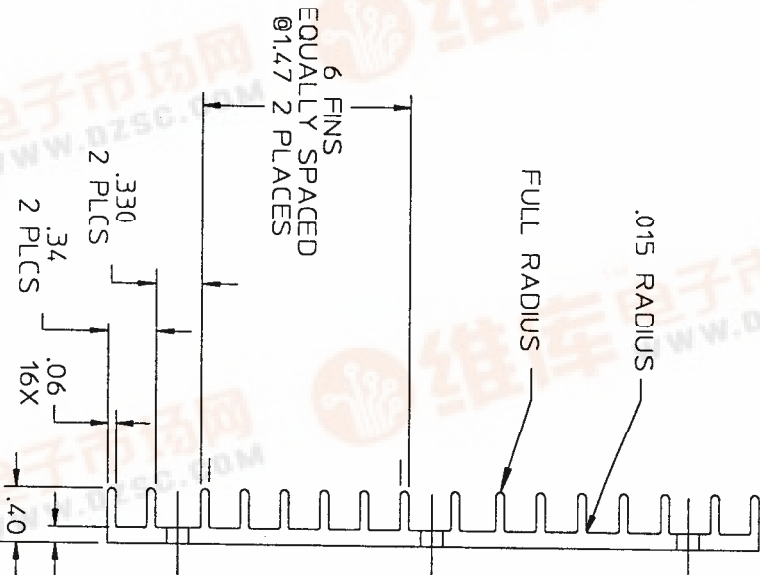


ORIGINAL ONLY WHEN STAMPED IN RED

NOTES:
 MATERIAL: 6063-T5 ALUMINUM
 REMOVE BURRS & SHARP EDGES
 FINISH: CLEAR CHROMATE.
 MECHANICALLY STAMP PART NUMBER AND REVISION IN AREA SHOWN

FREE CONVECTION	3.6
200 L FV	2.0
600 L FM	0.96

REV.	DESCRIPTION
03	REVSD PER E950284
04	REVSD PER E970447



DRAWN BY	DATE	SIZE	FSCM NO.
RCM	5/4/95	B	87131
UNLESS OTHERWISE SPECIFIED DIMENSIONS ARE IN INCHES. FRACTIONS DECIMALS ANGLES		HE.	.40
1/64 .XX*.01 .XX*.005		SCALE	FULL
THIRD ANGLE PROJECTION		DO NOT SCALE DRAWING	

DATE	APP
5/4/95	D
10/20/97	R

COF

±.010

105

OR

INK VER1

02112

SHEET 1 OF 1

