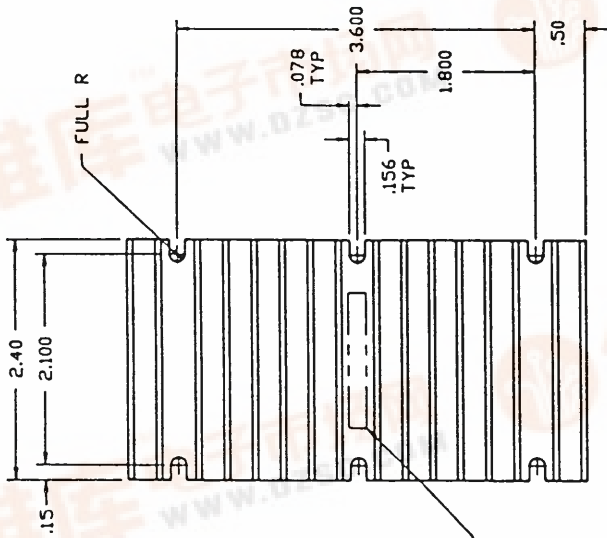


THIS DOCUMENT AND THE DATA DISCLOSED HEREIN OR HEREAFTER IS NOT TO BE REPRODUCED, COPIED, OR TRANSMITTED IN ANY MANNER OR BY ANY MEANS WITHOUT THE WRITTEN PERMISSION OF VICOR CORP.

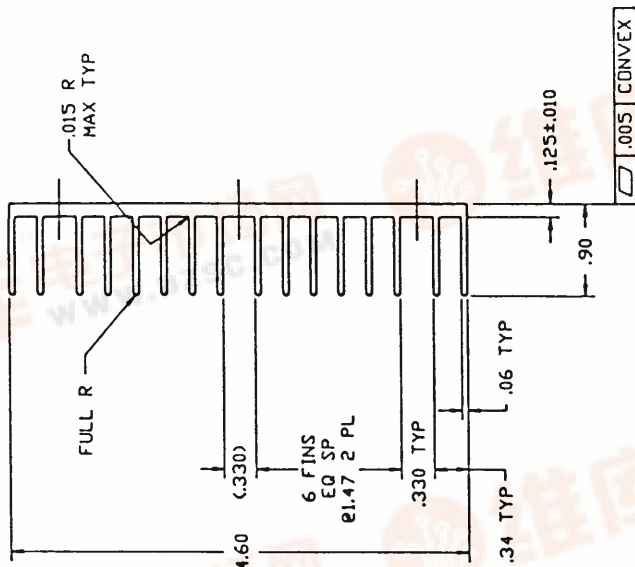
LTR.	DESCRIPTION	DATE	APP'D.
1	PRELIM RELEASE PER PCDM P005	5/19/87	WRH
2	REVISED PER PCDM 025	8/4/87	WRH
3	REVISED PER ECO #2211	01/17/88	WRH

查询02113供应商

捷多邦, 专业PCB打样工厂, 24小时加急出货



SEE NOTE 4



ORIGINAL  
ONLY WHEN STAMPED  
IN RED

FREE CONVECTION	2.4
200 LFM	1.52
600 LFM	0.72

- NOTES:
1. MATERIAL: 6063-T5, ALUMINUM.
  2. REMOVE ALL LOOSE BURRS.
  3. FINISH: CLEAR CHROMATE WITH EXTENDED ('HEAVY') ETCH.
  4. MECHANICALLY STAMP PART NUMBER AND REVISION IN AREA SHOWN.

VICOR ANDOVER, MA, U.S.A.	
HEATSINK, .9" HGT., VERT.	
TOLERANCES (EXCEPT AS NOTED)	DRAWING NO.
ALL DIMENSIONS ARE IN INCHES (MILLIMETERS)	02113
DO NOT SCALE DRAWING	REV.
SCALE FULL	3
PART 1/13	SHEET 1 OF 1

DATE	BY	DESCRIPTION
5/87 <td>S.P. VISCONTI <td></td> </td>	S.P. VISCONTI <td></td>	