

VS-08-SD-F

Order No.: 1652606

<http://eshop.phoenixcontact.de/phoenix/treeViewClick.do?UID=1652606>

Protective cover, IP67, flat design, to cover the contact insert in the panel mounting frame, color: gray

Ethernet

Commercial data	
EAN	4017918953034
Pack	5 pcs.
Customs tariff	39235090
Weight/Piece	0.00352 KG
Catalog page information	Page 195 (PC-2009)

Product notes

WEEE/RoHS-compliant since:
03/31/2006



<http://www.download.phoenixcontact.com>
Please note that the data given here has been taken from the online catalog. For comprehensive information and data, please refer to the user documentation. The General Terms and Conditions of Use apply to Internet downloads.

Technical data**Mechanical characteristics**

Color	gray
Ambient temperature (operation)	-40 °C ... 80 °C

Material data

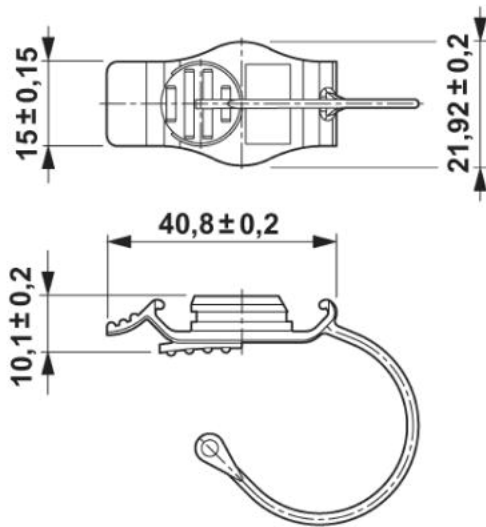
Housing material	PA
------------------	----

Material	Plastic
Sealing material	EDPM, self-greasing
Seal material	EDPM, self-greasing
Degree of protection	IP67
Inflammability class acc. to UL 94	V0

Drawings

Dimensioned drawing

Protective cover, IP67



Address

PHOENIX CONTACT GmbH & Co. KG
Flachsmarktstr. 8
32825 Blomberg, Germany
Phone +49 5235 3 00
Fax +49 5235 3 41200
<http://www.phoenixcontact.de>



© 2009 Phoenix Contact
Technical modifications reserved;