

T-64-05

**FIXED  
 FREQUENCY  
 FILTER MODULE**

**AM SERIES**

**FEATURES**

**- CUSTOMER SPECIFIED FREQUENCY**

Your choice of -3 dB Frequency.  
 Customer modifications available.  
 No additional charge.

**- COMPACT SIZES**

1.25"L x 0.80"W x 0.40"H. &  
 2.45"L x 0.77"W x 0.40"H.

**- RESPONSE CHOICES**

Butterworth, Bessel, Chebyshev,  
 Elliptic, & Linear Phase Elliptic.

**- HIGH ORDER, HIGH ATTENUATION**

Implement filter orders from 4th  
 up to 24th order filter.  
 Attenuation greater than 80 dB  
 @ 1.1 F3 dB.

**- SUPPORT ALL FILTER FUNCTIONS**

Lowpass, Highpass, Bandpass, &  
 Bandreject

**- IDEAL FUNCTION BLOCK**

Low output impedance.  
 High input impedance.  
 Impedance matching available.

**- STABLE OUTPUT**

Unity gain output  
 Amplification available

**- COMPENSATED DC OFFSET**

Internal DC offset < 2 mV.  
 External adjustable to 0.0.

**- BUILD-IN DECOUPLING**

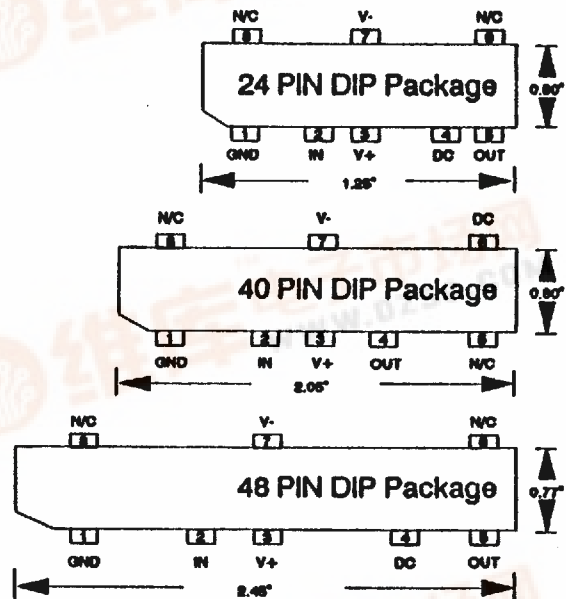
Internal power supply decoupling.

**- SINGLE / DUAL POWER SUPPLY**

Single Supply : 15.0 V & GND.  
 Dual Supply : +/- 15.0 V & GND.

**- LOW POWER CONSUMPTION**

10 mA of supply current per 4th order.



**ABSOLUTE MAXIMUM RATING**

Supply Voltage	+/- 15 V to +/- 5 V
Input Voltage	+/- 12 V
Output Swing	+/- 12 V (2k load)
Dynamic Range	> 90 dB
Operating Temp.	
commercial	0 C to 70 C
industrial	- 40 C to 85 C
military	- 55 C to 125 C
Storage Temp.	- 65 C to 150 C

**APPLICATIONS**

- Anti-aliasing Filter
- Equalizers
- Differentiator
- Frequency Separator
- Integrator
- D/A Post Filter
- Band-limit Amplifier



**FIXED  
FREQUENCY  
FILTER MODULE**

**AM SERIES**

**ELECTRICAL CHARACTERISTIC**

(Supply = +/- 15V., Load = 10 kohm, Temp. = 25 C)

Supply Current            10 mA/4th order  
 Input Impedance         > 500 kohm  
 Output Impedance       < 1 ohm (@ DC)  
 Cut-off Variation       +/- 2 %  
 Frequency Stability     0.01 % / C  
 Unity Gain Output       0.0 dB  
 Maximum Input Voltage   +/- 12 V.  
 Maximum Output Voltage +/- 12 V.  
 DC Offset                < +/- 2mV

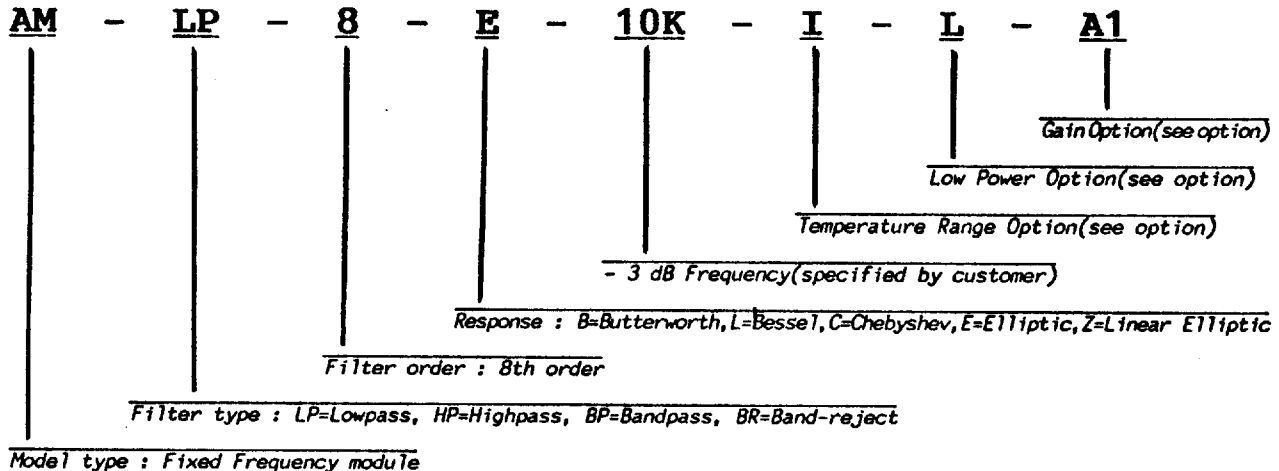
**MECHANICAL CHARACTERISTIC**

Dimension                1.25" x 0.77" x 0.4"  
                              2.45" x 0.77" x 0.4"  
 Case Materials         Glass Filled  
                              Thermoplastic Nylon  
 Pin Diameter            0.025"

**OPTIONS**

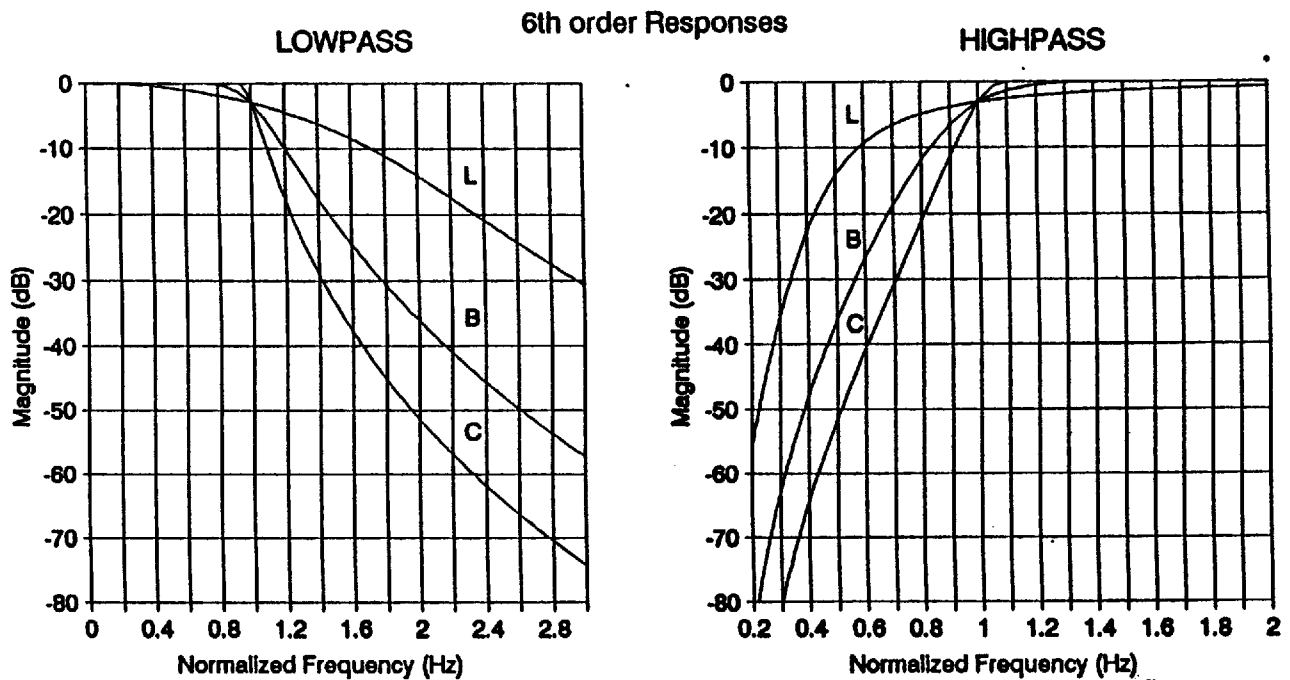
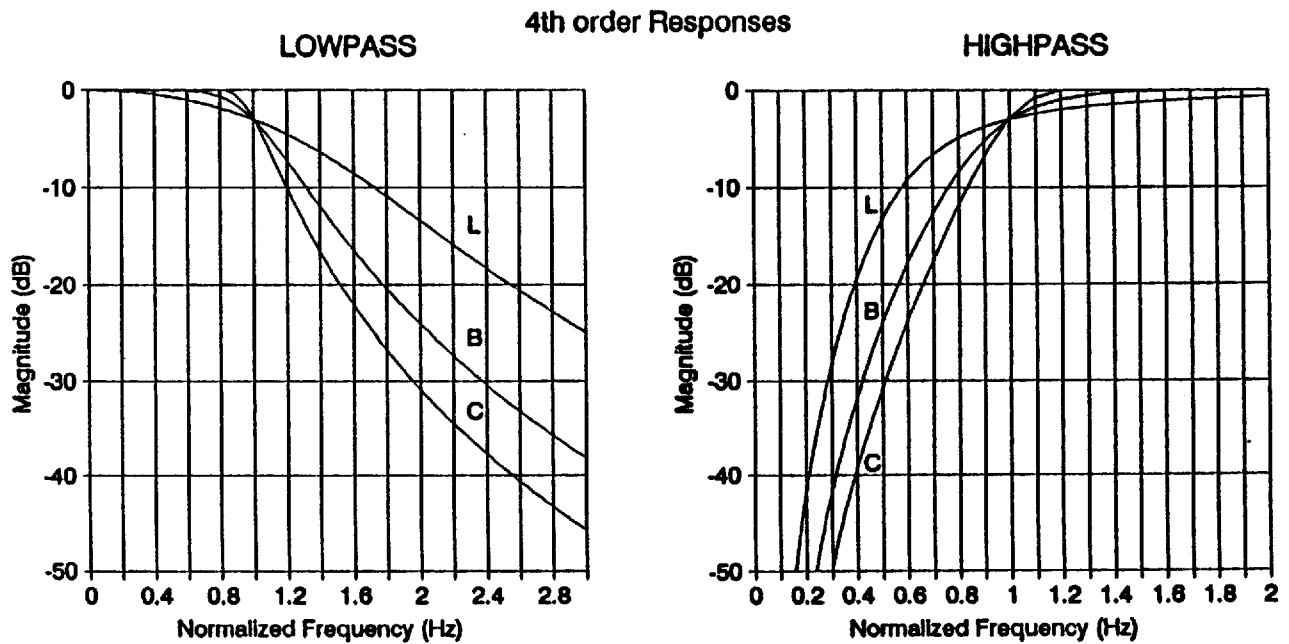
<u>Suffix</u>	<u>Description</u>
-L	Low power consumption (1 mA / 4th order)
-I	Industrial temp. range (-25 C to 85 C)
-M	Military temp. range (-55 C to 125 C)
-A1	10x amplification
-A2	100x amplification
-A3	1000x amplification

**PART NUMBER SYSTEM**



**FIXED  
FREQUENCY  
FILTER MODULE**

**AM SERIES**



L = BESSEL, B = BUTTERWORTH, C = CHEBYSHEV

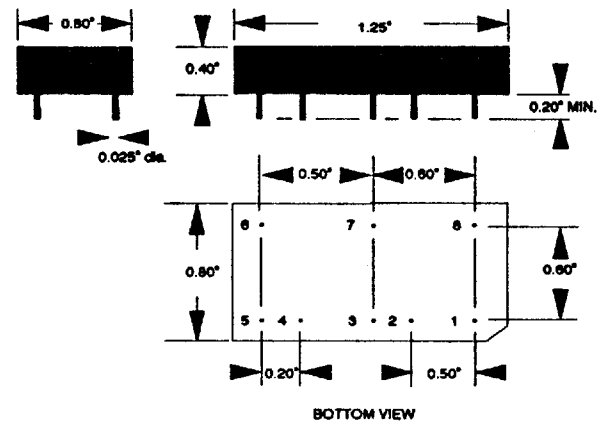


**FIXED  
FREQUENCY  
FILTER MODULE**

**AM SERIES**

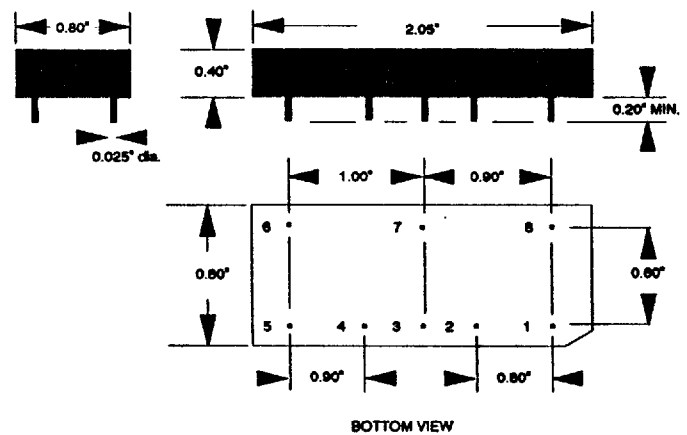
**24 PIN DIP PACKAGE**

PIN CONNECTION	
PIN No.	FUNCTION
1	Ground & common of Supply
2	Filter Input
3	V+ Supply
4	External DC Adjust
5	Filter Output
6	No Connection
7	V- Supply
8	No Connection



**40 PIN DIP PACKAGE**

PIN CONNECTION	
PIN No.	FUNCTION
1	Ground & common of Supply
2	Filter Input
3	V+ Supply
4	Filter Output
5	No Connection
6	External DC Adjust
7	V- Supply
8	No Connection



**48 PIN DIP PACKAGE**

PIN CONNECTION	
PIN No.	FUNCTION
1	Ground & common of Supply
2	Filter Input
3	V+ Supply
4	External DC Adjust
5	Filter Output
6	No Connection
7	V- Supply
8	No Connection

