

Components for safety applications

Emergency stop trip wire switches

Characteristics

References :
pages 3/17 to 3/22
Dimensions :
page 3/23

Environment

Conforming to standards	Products : XY2-CB : IEC 947-5-1, EN 60947-5-1, VDE 0660-200, CSA C 22-2 n° 14, prEN616 XY2-CE, CH, CB : IEC 947-5-1, EN 60 947-5-1, VDE 0660-200, EN 418, prEN616 Machine assemblies : XY2-CE, CH, CB : EN 60-204-1, EN292.
Product certifications	Special version XY2-CB : CSA ~ 600 V heavy duty. XY2-CE : UL-CSA A 300-Q 300. XY2-CH : UL-CSA
Protective treatment	Standard version : "TC". Special version : "TH"
Ambient air temperature	Operation : -25...+70 °C. Storage : -40...+70 °C
Vibration resistance	XY2-CE : 10 gn (10...300 Hz) conforming to IEC 68-2-6 ; XY2-CH : 10 gn (10...150 Hz)
Shock resistance	XY2-CE, CH : 50 gn (duration 11 ms) conforming to IEC 68-2-27
Electric shock protection	Class I conforming to IEC 536 and NF C 20-030 XY2-CB : enclosure IP 22, contact housing IP 65, conforming to IEC 529 and NF C 20-010 XY2-CE, CH : IP 65
Degree of protection	XY2-CE, CH (Emergency stop) : 10,000 operating cycles
Mechanical durability	XY2-CE, CH (Emergency stop) : 10,000 operating cycles
Length of protected zone (trip wire)	XY2-CH : ≤ 15 metres, XY2-CE : ≤ 50 metres, XY2-CB : 100 metres and 200 metres
Cable entry	Entries for cable glands with maximum capacity of 12 mm : XY2-CB : 1 entry, XY2-CE, CH : 3 entries

Contact block characteristics

Rated operational characteristics	AC-15 : A 300 or Ue = 240 V, Ie = 3 A DC-13 : Q 300 or Ue = 250 V, Ie = 0.27 A conforming to IEC 947-5-1 Appendix A, EN 60 947-5-1
Nominal thermal current	10 A
Rated insulation voltage	XY2-CE, CH : Ui = 500 V degree of pollution 3 conforming to IEC 947-1, Ui = 300 V to UL 508, CSA C22-2 n° 14 XY2-CB : Ui = 500 V degree of pollution 3 conforming to IEC 947-1, Ui = 600 V conforming to CSA C22-2 n° 14
Rated impulse withstand voltage	XY2-CE, CH : U imp = 6 kV conforming to IEC 947-1, IEC 664
Positive operation	N/C with positive opening operation conforming to IEC 947-5-1 Section 3, EN 60 947-5-1
Contact operation	XY2-CB, CE, CH (Emergency stop) : N/C + N/C or N/C + N/O slow break
Resistance across terminals	≤ 25 mΩ conforming to NF C 93-050 method A or IEC 255-7 category 3
Terminal referencing	Conforming to CENELEC EN 50013
Operational voltage	~ 24...380 V
Short-circuit protection	XY2-CB, CE, CH : 10 A cartridge fuse type gG (gl) conforming to IEC 269

Rated operational power (Electrical durability)

Operating rate : 3600 operating cycles/hour
Load factor : 0.5

XY2-CB

Conforming to IEC 947-5-1 Appendix C
Utilisation categories AC-15 and DC-13
a.c. supply ~ 50...60 Hz
Power broken in VA (1)
~ Inductive circuit

Voltage V	24	48	127	220
~ VA	250	250	500	500

d.c. supply ---

Power broken in W (1)
~ Inductive circuit

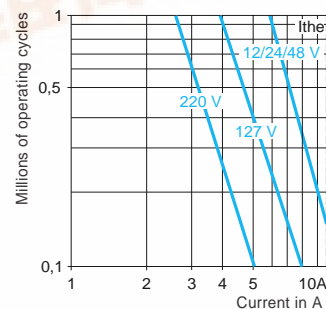
Voltage V	24	48	120
~ W	50	100	100

(1) For 1 million operating cycles

XY2-CE, CH

Conforming to IEC 947-5-1 Appendix C
Utilisation categories AC-15 and DC-13
a.c. supply ~ 50...60 Hz

~ Inductive circuit



Voltage V	24	48	120
~ W	15	23	30

Screw clamp terminals, clamping capacity : min. 1 x 0.5 mm², max. 1 x 2.5 mm² or 2 x 1.5 mm²



Components for safety applications

Emergency stop trip wire switches

References

Characteristics :
page 3/16
Dimensions :
page 3/23



XY2-CH13250



XY2-CE1A250



XY2-CB30

Latching Emergency stops without indicator (1) (cable not included)

Contact	Reset	Cable anchor point	Reference	Weight kg
Length of cable ≤ 15 metres. Distance between cable supports : 5 metres				
N/C + N/O slow break	By booted pushbutton	RH side or LH side	XY2-CH13250H29	0.865
	By key release pushbutton (key n° 421) (2)	RH side or LH side	XY2-CH13450H29	0.910
N/C + N/C slow break	By booted pushbutton	RH side or LH side	XY2-CH13270H29	0.865
	By key release pushbutton (key n° 421) (2)	RH side or LH side	XY2-CH13470H29	0.910
Length of cable ≤ 50 metres. Distance between cable supports : 10 metres				
N/C + N/O slow break	By booted pushbutton	RH side LH side	XY2-CE1A250 XY2-CE2A250	1.450 1.450
N/C + N/C slow break	By booted pushbutton	RH side LH side	XY2CE1A270 XY2-CE2A270	1.450 1.450
N/C + N/O slow break	By key release pushbutton (key n° 421) (2)	RH side LH side	XY2-CE1A450 XY2-CE2A450	1.465 1.465
N/C + N/C slow break	By key release pushbutton (key n° 421) (2)	RH side LH side	XY2-CE1A470 XY2-CE2A470	1.470 1.470
Length of cable ≤ 100 metres. Distance between cable supports : 20 metres				
N/C + N/O slow break	From inside enclosure	LH side RH side	XY2-CB10 XY2-CB20	15.000 15.000
N/C + N/O slow break	From inside enclosure	RH side and LH side	XY2-CB30	25.000

Latching Emergency stops with indicator (cable not included)

Contact	Reset	Supply (direct) Bulb included	Cable anchor point	Reference	Weight kg
Length of cable ≤ 50 metres. Distance between cable supports : 10 metres					
2 N/C + N/O slow break	By booted pushbutton	230 V	RH side LH side	XY2-CE1A297 XY2-CE2A297	1.470 1.470
Contact	Reset	Supply (via integral transformer) (3)	Cable anchor point	Reference	Weight kg
Length of cable ≤ 100 metres. Distance between cable supports : 20 metres					
N/C + N/O slow break	From inside enclosure	24 V/6 V	LH side RH side	XY2-CB11 XY2-CB21	15.600 15.600
		127 V/6 V	LH side RH side	XY2-CB13 XY2-CB23	15.600 15.600
		220 V/6 V	LH side RH side	XY2-CB14 XY2-CB24	15.600 15.600
Length of cable ≤ 2 x 100 metres. Distance between cable supports : 20 metres					
N/C + N/O slow break	From inside enclosure	24 V/6 V	RH side and LH side	XY2-CB31	25.600
		127 V/6 V	RH side and LH side	XY2-CB33	25.600
		220 V/6 V	RH side and LH side	XY2-CB34	25.600

(1) These Emergency stops are also available fitted with an indicator, see ordering forms for XY2-CH and XY2-CE trip wire switches on pages 3/18 and 3/19.

(2) Ø 30 mm mushroom head key release pushbutton. Locking and key withdrawal in the rest (unactuated) position.

(3) BA 7s - 6 V bulb included.

Other versions

See order forms, pages 3/18 and 3/19.

XY2-CE with reset by Ø 40 mm mushroom head pushbutton or with integral cable tensioner & support.

Please consult your local Customer support centre.

Components for safety applications

Emergency stop trip wire switches
Complete units, assembled by Telemecanique

Order form (specimen suitable for photocopying)

Customer			Schneider Electric	
Company	Order N°	Delivery date	Sales office - Subsidiary Co.	Order N°

How to use this order form :

- indicate the number of Emergency stop switches required,
- complete the basic reference.

Reference

Number of identical Emergency stop trip wire switches	<input type="text"/>	XY2-CH	<input type="checkbox"/>	<input type="checkbox"/>	<input type="checkbox"/>	<input type="checkbox"/>	<input type="checkbox"/>	<input type="checkbox"/>	<input type="checkbox"/>
Model									
Emergency stop (latching)			1						
Degree of protection									
IP 65 (standard bellows) without tensioner				1					
IP 65 (silicone bellows) without tensioner				2					
IP 65 (standard bellows) with integral tensioner				3					
IP 65 (silicone bellows) with integral tensioner				4					
Type of reset									
Emergency stop (1)	Flush				1				
Reset by	Booted				2				
spring return	Mushroom head, Ø 30 mm				3				
pushbutton									
	Key release mushroom head, Ø 30 mm (key n° 421)				4				
	Key release mushroom head, Ø 30 mm (key n° 455)				5				
	Pull knob				6				
	Key release mushroom head, Ø 30 mm (2)				9				
Contact block for Emergency stop function (3)									
Slow break	1 N/C + N/O (N/O staggered)						5		
	1 N/C + N/C						7		
Indicator									
Without indicator								0	
With 24 V direct supply indicator								3	
With 48 V direct supply indicator								4	
With 130 V direct supply indicator								5	
With 230 V direct supply indicator								7	
Increased protective treatment against corrosion									TK
(1) Opening of a circuit + mechanical latching in the open position.									
(2) Other key numbers									
458A	520	1242A	1243E	1344A	1422A	1431E			
2123E	2132E	3112E	3113A	3122A	3123A	3233A			
3423A	3432A	4241A							

(3) Emergency stop trip wire switches can only be fitted with slow break contact blocks.

Components for safety applications

Emergency stop trip wire switches
Complete units, assembled by Telemecanique

Order form (specimen suitable for photocopying)

Customer			Schneider Electric	
Company	Order N°	Delivery date	Sales office - Subsidiary Co.	Order N°

How to use this order form :

- indicate the number of Emergency stop switches required,
- complete the basic reference.

Reference

Number of identical Emergency stop trip wire switches	<input type="text"/>	XY2-CE	<input type="checkbox"/>	<input type="checkbox"/>	<input type="checkbox"/>	<input type="checkbox"/>	<input type="checkbox"/>	<input type="checkbox"/>	<input type="checkbox"/>
Model									
Emergency stop (latching)	Anchor point on RH side, standard force	1							
	Anchor point on LH side, standard force	2							
	Anchor point on RH side, light force	5							
	Anchor point on LH side, light force	6							
Degree of protection and "cable under tension" indicator									
	IP 65 (standard bellows) without indicator	A							
	IP 65 (silicone bellows) without indicator	C							
	IP 65 (standard bellows) with indicator	D							
	IP 65 (silicone bellows) with indicator	E							
Type of reset									
Emergency stop (1)	Flush	1							
Reset by	Booted	2							
spring return	Mushroom head, Ø 30 mm	3							
pushbutton	Key release mushroom head, Ø 30 mm (key n° 421)	4							
	Key release mushroom head, Ø 30 mm (key n° 455)	5							
	Pull knob	6							
	Key release mushroom head, Ø 30 mm (2)	9							
Contact block(s) for Emergency stop function (3)									
Slow break	1 N/C + N/O	5							
	1 N/C + N/C	7							
	2 N/C + N/O (compulsory with pilot light) (4)	9							
Pilot light									
	Without pilot light	0							
	With 24-48-130 V direct supply pilot light, bulb not included (provide for 2 contact blocks)	6							
	With 230 V direct supply pilot light, bulb included (provide for 2 contact blocks)	7							
	Increased protective treatment against corrosion								TK
	(1) Opening of N/C contact + mechanical latching in the open position.								
	(2) Other key numbers								
458A	520	1242A	1243E	1344A	1422A	1431E			
2123E	2132E	3112E	3113A	3122A	3123A	3233A			
3423A	3432A	4241A							

(3) Emergency stop trip wire switches can only be fitted with slow break contact blocks.

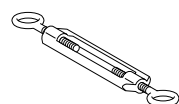
(4) The use of a pilot light means selecting a switch fitted with 2 N/C + N/O contacts : XY2-CE●●●9

Components for safety applications

Emergency stop trip wire switches

References of accessories and spare parts

Dimensions :
page 3/23



XY2-CZ402



XY2-CZ503



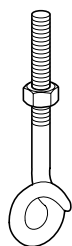
XY2-CZ524



XY2-CZ601



XY2-CZ602



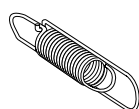
XY2-CZ705



XY2-CZ706



XY2-CZ701



XY2-CZ702

Description	Application	Diameter mm	Length m	Reference	Weight kg
Galvanised cables with red sheath	For XY2-CH	3.2	10.5	<u>XY2-CZ301</u>	0.280
			15.5	<u>XY2-CZ3015</u>	0.410
			25.5	<u>XY2-CZ302</u>	0.690
			50.5	<u>XY2-CZ305</u>	1.360
			100.5	<u>XY2-CZ310</u>	2.700
	For XY2-CH, XY2-CE and XY2-CB	5	15.5	<u>XY2-CZ1015</u>	0.850
			25.5	<u>XY2-CZ102</u>	1.400
			50.5	<u>XY2-CZ105</u>	2.750
			100.5	<u>XY2-CZ110</u>	5.500
Description	Type	Application	Sold in lots of	Unit reference	Weight kg
Turnbuckles	M6 x 60 + locknut	All models except XY2-CH (1)	1	<u>XY2-CZ402</u>	0.060
	M8 x 70 + locknut	All models except XY2-CH (1)	1	<u>XY2-CZ404</u>	0.100
Cable grips	Single	Cable Ø 3 to 5 mm	10	<u>XY2-CZ503</u>	0.007
			10	<u>XY2-CZ513</u>	0.016
	Clamp	Cable Ø 3.2 mm	10	<u>XY2-CZ523</u>	0.050
			10	<u>XY2-CZ524</u>	0.080
Cable supports	Fixed	All models	10	<u>XY2-CZ601</u>	0.030
	Swivelling	All models	1	<u>XY2-CZ602</u>	0.130
	Pulley bracket	All models	1	<u>XY2-CZ705</u>	0.060
Pulley	Cable Ø 5 mm max.	All models	1	<u>XY2-CZ706</u>	0.002
Cable end protectors		Cable Ø 3.2 mm	10	<u>XY2-CZ701</u>	0.002
		Cable Ø 5 mm	10	<u>XY2-CZ704</u>	0.010
End springs		For XY2-CE	1	<u>XY2-CZ702</u>	0.080
		For XY2-CH	1	<u>XY2-CZ703</u>	0.035
		For XY2-CB	1	<u>XY2-CZ707</u>	0.080

Documentation

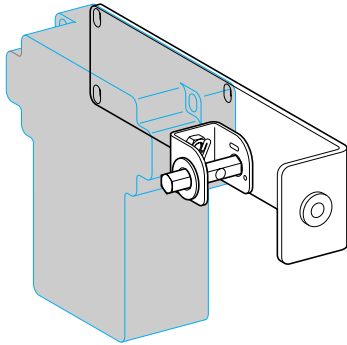
Description	For use with	Reference	Weight kg
Installation manual	All XY2-C trip wire switches	<u>XCOM2512</u>	0.200

Components for safety applications

Emergency stop trip wire switches

References of accessories and spare parts

Dimensions :
page 3/23



XY2-CZ917

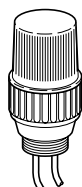
Fitting kits

Contents of kit	Application	Diameter mm	Length of cable m	Reference	Weight kg
Tensioner + bracket	For XY2-CE	–	–	XY2-CZ917	0.612
Kit comprising : - 1 galvanised cable, Ø 3.2 mm, length according to that selected, - 1 cable grip XY2-CZ523 , - 1 end spring XY2-CZ703	For XY2-CH	3.2	10	XY2-CZ9310	0.415
	For XY2-CH	3.2	15	XY2-CZ9315	0.535
Kit comprising : - 1 galvanised cable, Ø 3.2 mm, length according to that selected, - 4 cable grips XY2-CZ523 , - 1 turnbuckle XY2-CZ404 , - 1 cable support XY2-CZ601 , - 3 cable end protectors	For XY2-CE	3.2	25	XY2-CZ9325	1.250
XY2-CZ701 , - 1 end spring XY2-CZ702	For XY2-CE/CB	3.2	50	XY2-CZ9350	1.980
Kit comprising : - 1 galvanised cable, Ø 5 mm, length according to that selected, - 4 cable grips XY2-CZ524 , - 1 turnbuckle XY2-CZ404 , - 1 cable support XY2-CZ601 , - 3 cable end protectors	For XY2-CE	5	25	XY2-CZ9525	1.905
XY2-CZ704 , - 1 end spring XY2-CZ702	For XY2-CE/CB	5	50	XY2-CZ9550	3.280

Components for safety applications

Emergency stop trip wire switches

References of spare parts



XY2-CZ●●●●

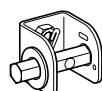
Description	Type	Reference	Weight kg		
Reset pushbutton (blue) spring return, for XY2-CE and XY2-CH	Flush with "R" marking on push	ZA2-BA639	0.030		
	Booted	ZA2-BP6	0.025		
	Mushroom head, Ø 30 mm	ZA2-BC64	0.045		
	Key release mushroom head, Ø 30 mm (key n° 421)	ZA2-BS06212	0.090		
Key for latching mushroom head reset pushbutton	N° 421	Q99900911	0.006		
Head assembly for pilot light	Yellow lens, for XY2-CE and XY2-CH	ZA2-BV05	0.015		
Lens for pilot light	Yellow, for XY2-CE and XY2-CH	ZB2-BV015	0.003		
Pilot lights	Yellow, for XY2-CH	24 V	XY2-CZ0024	0.035	
		48 V	XY2-CZ0048	0.035	
		130 V	XY2-CZ0130	0.035	
		230 V	XY2-CZ0230	0.035	
Description	Type	Sold in lots of	Unit reference	Weight kg	
Incandescent bulbs	BA 9s base fitting max. Ø 11 mm length 28 mm for XY2-CE	24 V - 2.6 W	10	DL1-CE024	0.002
		48 V - 2.6 W	10	DL1-CE048	0.002
		130 V - 2.6 W	10	DL1-CE130	0.002
	Screw base fitting max. Ø 17 mm length 34 mm for XY2-CH	24 V - 6 W	10	DL1-AA024	0.004
		48 V - 6 W	10	DL1-AA048	0.004
		130 V - 6 W	10	DL1-AA127	0.004
		230 V - 6 W	10	DL1-AA220	0.004
		BA 7s base fitting for XY2-CB	6 V - 200 mA		DL1-GA006
Dust and damp protecting bellows	For XY2-CE	Polychloroprene	1	XY2-CZ901	0.017
		Silicone	1	XY2-CZ904	0.005
	For XY2-CH	Polychloroprene	1	XY2-CZ902	0.017
		Silicone	1	XY2-CZ903	0.005
Tensioner	For XY2-CE	-	1	XY2-CZ203	0.095



XY2-CZ901



XY2-CZ902



XY2-CZ203

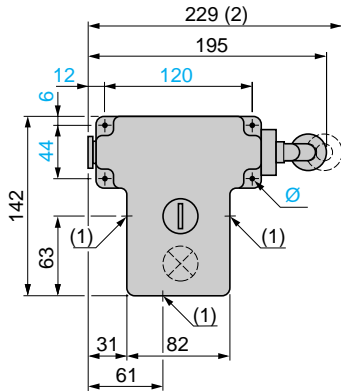
Components for safety applications

Emergency stop trip wire switches

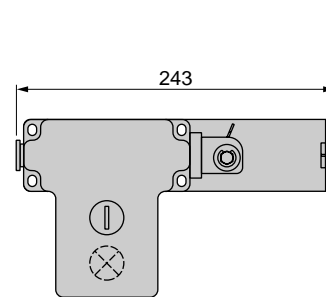
Dimensions

Characteristics :
page 3/16
References :
pages 3/17 to 3/22

XY2-CE●A●●●

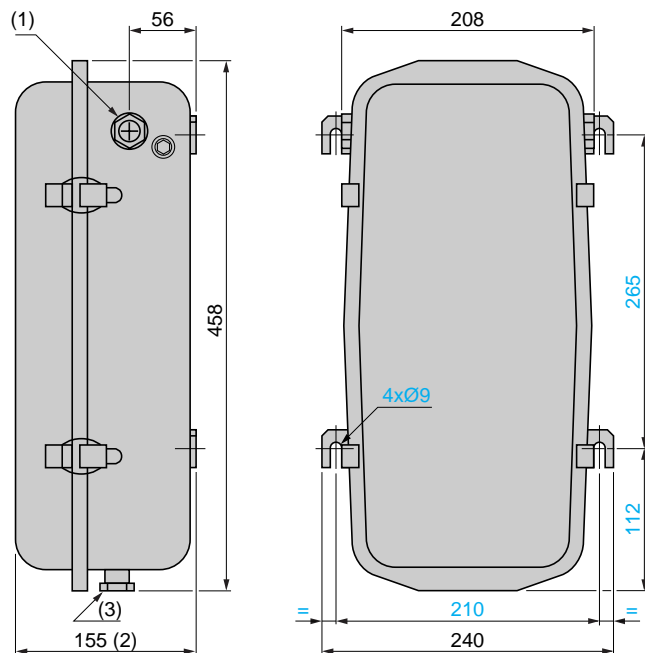


XY2-CE●A●●● + XY2-CZ917

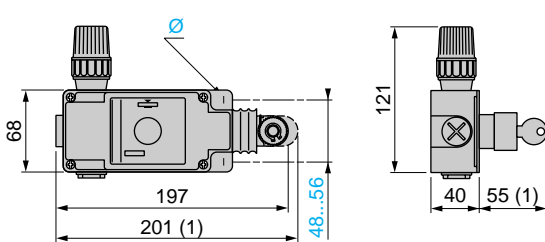


- (1) 1 tapped entry for cable gland of maximum capacity 12 mm
- (2) Maximum extension
- Ø : 4 elongated holes Ø 6 mm

XY2-CB●●●



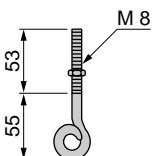
XY2-CH13●50H29



- (1) Maximum extension
- Ø : 2 elongated holes Ø 8 mm
- 20 mm ISO entries

- (1) 2 access points for operating cable
- (2) + 125 mm for opening of cover
- (3) Cable gland, maximum capacity 12 mm

XY2-CZ705



XY2-CZ706

