

Features

- DC to 3 GHz
- Terminals for placement on P.C.B.
- Low VSWR
- Aluminum Nitride ceramic

Applications

- RF amplifiers
- Attenuators
- Antenna feeds

CHF3725CNP Series 40 W SMT Power RF Chip Termination

General Specifications

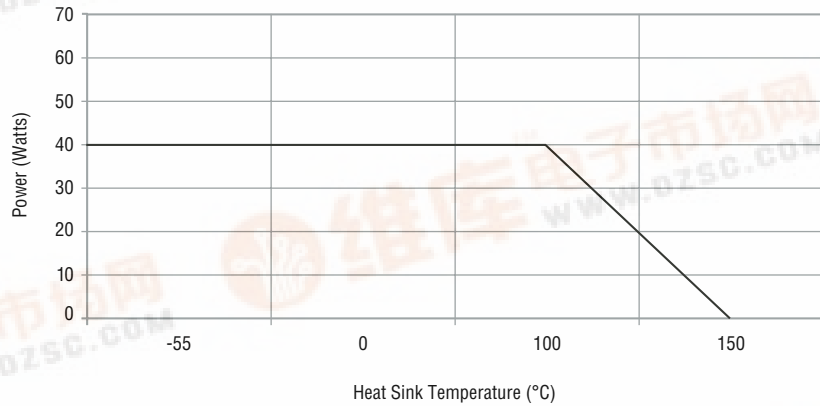
Substrate.....ALN
 Resistive Film.....Thick Film
 Terminals.....PtAg*
 Resistance.....50 Ω
 Tolerance.....±5 %
 Packaging
 Tape & Reel.....2000 pcs./13 " reel
 Bulk100 pcs./bag

Absolute Ratings

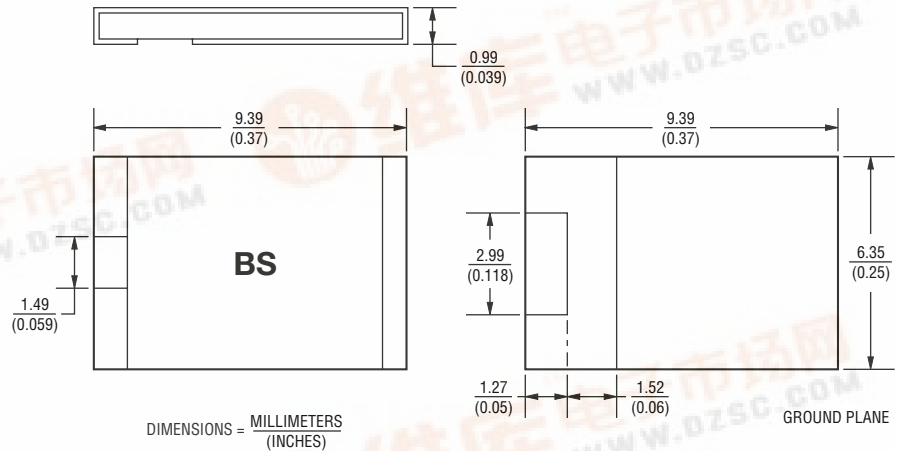
Power.....40 W
 Frequency3 GHz
 VSWR.....1.25 Maximum

*Default, other finish options available (see How to Order section).

Characteristic Curve



Product Dimensions



How To Order

CHF 3725 C N P 500 L Y E

Model _____
 Size _____
 Version _____
 Substrate _____
 Mount _____
 P = Printed Circuit Board
 Value _____
 500 = 50 Ohm
 Function _____
 L = Termination
 Finish _____
 Y = Pt Ag (Default)
 Z = Sn Pb
 X = Ni Au
 Packaging _____
 E = Tape & Reel (2,000 pcs./13 " reel)
 = Bulk (100 pcs./bag)



Reliable Electronic Solutions

Asia-Pacific:

Tel: +886-2 2562-4117
 Fax: +886-2 2562-4116

Europe:

Tel: +41-41 768 5555
 Fax: +41-41 768 5510

The Americas:

Tel: +1-951 781-5500
 Fax: +1-951 781-5700

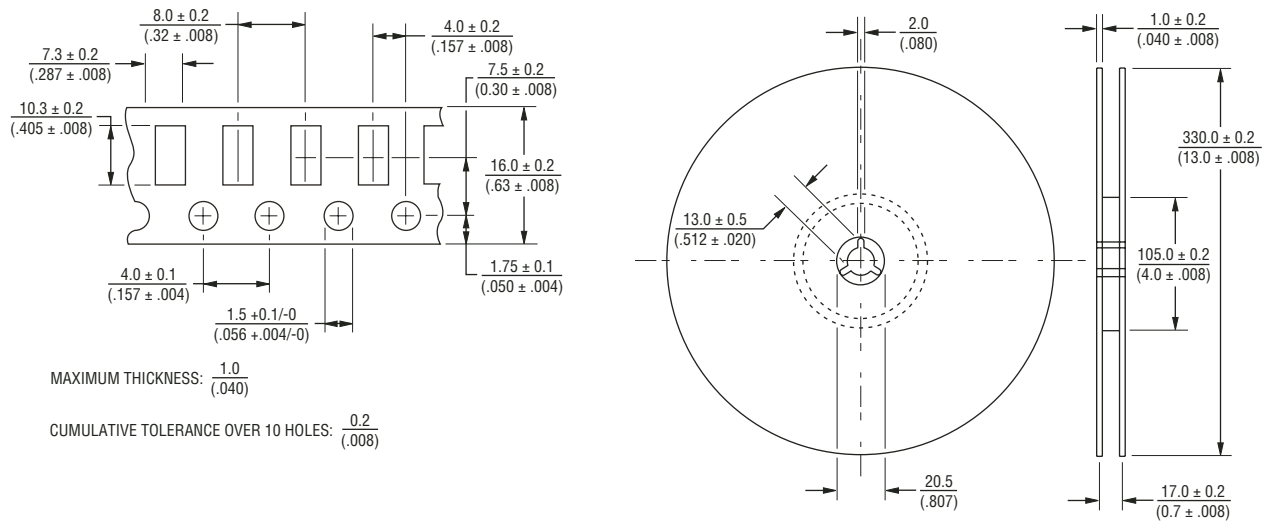
www.bourns.com



CHF3725CNP Series 40 W SMT Power RF Chip Termination

BOURNS®

Packaging Dimensions



DIMENSIONS: $\frac{\text{MM}}{(\text{INCHES})}$