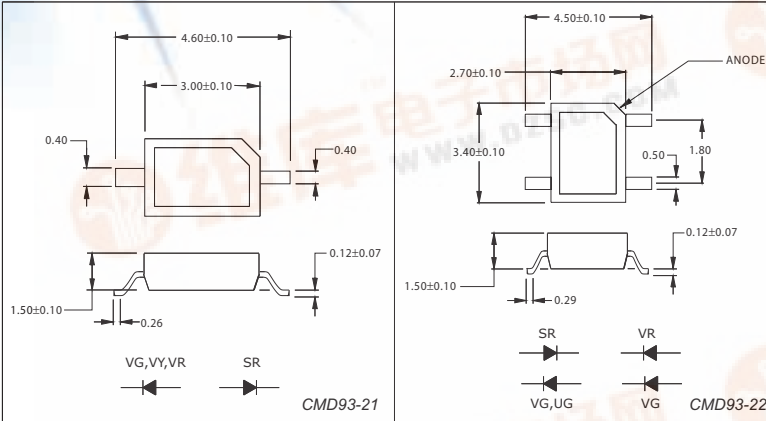




CMD93-21 & 22 Series SMT LEDs

DESCRIPTION AND FEATURES



All dimensions in mm.

Surface Mount Technology

- Tape and reel packaged for high-speed autoinsertion.
- Convection and vapor-phase reflow compatible.
- Compact form enables high density placement.
- 93-21 2000 pieces per reel
- 93-22 1000 pieces per reel

Leading Edge LED Optoelectronic Performance

- Consistent high brightness.
- Bi-color available.
- Gull wing lead form.

Exceptional Reliability

- Stringent process controls assure quality.
- Extensive qualification testing to meet strictest requirements.
- Designed to permit easy post-reflow solder joint inspection.

ELECTRO-OPTICAL CHARACTERISTICS

Part Number	Emitted Color	Lens Color	Package Type	Luminous Intensity		Forward Voltage		Rated Current (mA)	Peak Wavelength (nm)	View Angle (degrees)
				Min. (mcd)	Typ. (mcd)	Typ. (V)	Max. (V)			
CMD93-21VGC/TR8	Green	Clear	Single	15.0	25.0	2.1	2.8	20	570	130
CMD93-21VYC/TR8	Yellow	Clear	Single	7.0	12.0	2.0	2.8	20	585	130
CMD93-21VRC/TR8	Red	Clear	Single	7.0	12.0	2.0	2.8	20	640	130
CMD93-21SRC/TR8	Red	Clear	Single	25.0	40.0	1.7	2.4	20	660	130
CMD93-22VGC/TR8	Red	Clear	Dual	7.0	12.0	2.0	2.8	20	640	125
	Green	Clear	Dual	12.0	20.0	2.1	2.8	20	570	125
CMD93-22SRVGC/TR8	Red	Clear	Dual	24.0	40.0	1.7	2.4	20	660	125
	Green	Clear	Dual	12.0	20.0	2.1	2.8	20	570	125
CMD93-22SRUGC/TR8	Red	Clear	Dual	24.0	40.0	1.7	2.4	20	660	125
	Green	Clear	Dual	13.5	20.0	2.1	2.8	20	565	125

ABSOLUTE MAXIMUM RATINGS

	Green	Yellow	Red	Units
Power Dissipation.....	105	105	100	mW
Storage Temperature.....	-25 to +90	-25 to +90	-25 to +90	°C
Operating Temperature.....	-25 to +80	-25 to +80	-25 to +80	°C
Peak Forward Current (1µs @ 10% duty cycle).....	150	150	150	mA
Reverse Voltage (IR=100µA).....	5.0	5.0	5.0	V
Lead Solder Time @ 260°C.....	10	5	5	Seconds
Forward Current.....	25	30	30	mA



America:
CML Innovative Technologies, Inc.
147 Central Avenue
Hackensack, NJ 07601 -USA
Tel: 1-201-489-8989
Fax: 1-201-489-6911
e-mail: americas@cml-it.com

Europe:
CML Technologies GmbH & Co.KG
Robert-Bunsen-Str.1
67098 Bad Dürkheim -GERMANY
Tel: +49 (0)6322 9567-0
Fax: +49 (0)6322 9567-88
e-mail: europe@cml-it.com

Asia:
CML Innovative Technologies, Inc.
61 Aida Street
Singapore 459975
Tel: (65)9630-5003
e-mail: asia@cml-it.com