



**DG3535/DG3536**  
Vishay Siliconix

New Product

**0.25-Ω Low-Voltage Dual SPDT Analog Switch**



**FEATURES**

- Low Voltage Operation
- Low On-Resistance -  $r_{ON}$ : 0.25 Ω @ 2.7 V
- -69 dB OIRR @ 2.7 V, 100 kHz
- MICRO FOOT® Package
- ESD Protection >2000 V

**BENEFITS**

- Reduced Power Consumption
- High Accuracy
- Reduce Board Space
- 1.6-V Logic Compatible
- High Bandwidth

**APPLICATIONS**

- Cellular Phones
- Speaker Headset Switching
- Audio and Video Signal Routing
- PCMCIA Cards
- Battery Operated Systems
- Relay Replacement

**DESCRIPTION**

The DG3535/DG3536 is a sub 1-Ω (0.25 Ω @ 2.7 V ) dual SPDT analog switches designed for low voltage applications.

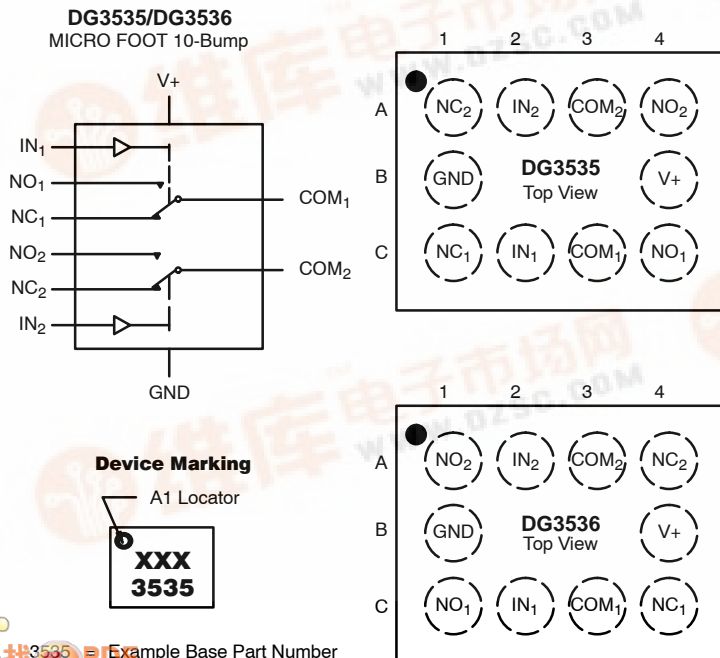
The DG3535/DG3536 has on-resistance matching (less than 0.05 Ω @ 2.7 V) and flatness (less than 0.2 Ω @ 2.7 V) that are guaranteed over the entire voltage range. Additionally, low logic thresholds makes the DG3535/DG3536 an ideal interface to low voltage DSP control signals.

The DG3535/DG3536 has fast switching speed with break-before-make guaranteed. In the On condition, all switching elements conduct equally in both directions. Off-isolation and crosstalk is -69 dB @ 100 kHz.

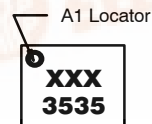
The DG3535/DG3536 is built on Vishay Siliconix's high-density low voltage CMOS process. An eptaxial layer is built in to prevent latchup. The DG3535/DG3536 contains the additional benefit of 2,000-V ESD protection.

As a committed partner to the community and the environment, Vishay Siliconix manufactures this product with the lead (Pb)-free device terminations. For MICRO FOOT analog switching products manufactured with tin/silver/copper (SnAgCu) device terminations, the lead (Pb)-free "—E1" suffix is being used as a designator.

**FUNCTIONAL BLOCK DIAGRAM AND PIN CONFIGURATION**



**Device Marking**



3535 = Example Base Part Number  
XXX = Data/Lot Traceability Code

TRUTH TABLE		
Logic	NC1 and NC2	NO1 and NO2
0	ON	OFF
1	OFF	ON

ORDERING INFORMATION		
Temp Range	Package	Part Number
-40 to 85°C	MICRO FOOT: 10-Bump (4x3, 0.5-mm Pitch, 238-μm Bump Height)	DG3535DB-T5—E1 DG3535DB-T1—E1 DG3536DB-T5—E1



### ABSOLUTE MAXIMUM RATINGS

Reference to GND	
V+	-0.3 to +6 V
IN, COM, NC, NO <sup>a</sup>	-0.3 to (V+ + 0.3 V)
Continuous Current (NO, NC, COM)	±300 mA
Peak Current (Pulsed at 1 ms, 10% duty cycle)	±500 mA
Storage Temperature (D Suffix)	-65 to 150°C
Package Solder Reflow Conditions <sup>b</sup>	
IR/Convection	250°C

ESD per Method 3015.7	>2 kV
Power Dissipation (Packages) <sup>c</sup>	
MICRO FOOT: 10-Bump (4x3 mm) <sup>d</sup>	457 mW

#### Notes:

- Signals on NC, NO, or COM or IN exceeding V+ will be clamped by internal diodes. Limit forward diode current to maximum current ratings.
- Refer to IPC/JEDEC (J-STD-020B).
- All bumps welded or soldered to PC Board.
- Derate 5.7 mW/°C above 70°C

Stresses beyond those listed under "Absolute Maximum Ratings" may cause permanent damage to the device. These are stress ratings only, and functional operation of the device at these or any other conditions beyond those indicated in the operational sections of the specifications is not implied. Exposure to absolute maximum rating conditions for extended periods may affect device reliability.

SPECIFICATIONS (V+ = 3 V)							
Parameter	Symbol	Test Conditions Otherwise Unless Specified V+ = 3 V, ±10%, VIN = 0.5 or 1.4 V <sup>e</sup>	Temp <sup>a</sup>	Limits -40 to 85°C			Unit
				Min <sup>b</sup>	Typ <sup>c</sup>	Max <sup>b</sup>	
<b>Analog Switch</b>							
Analog Signal Range <sup>d</sup>	V <sub>NO</sub> , V <sub>NC</sub> , V <sub>COM</sub>		Full	0		V+	V
On-Resistance <sup>d</sup>	r <sub>ON</sub>	V+ = 2.7 V, V <sub>COM</sub> = 0.6/1.5 V I <sub>NO</sub> , I <sub>NC</sub> = 100 mA	Room		0.25	0.4	Ω
r <sub>ON</sub> Flatness <sup>d</sup>	r <sub>ON</sub> Flatness		Full			0.5	
On-Resistance Match Between Channels <sup>d</sup>	Δr <sub>DS(on)</sub>		Room			0.15	
Switch Off Leakage Current	I <sub>NO(off)</sub> , I <sub>NC(off)</sub>	V+ = 3.3 V, V <sub>NO</sub> , V <sub>NC</sub> = 0.3 V/3 V V <sub>COM</sub> = 3 V/0.3 V	Room	-2		2	nA
	I <sub>COM(off)</sub>		Full	-20		20	
Channel-On Leakage Current	I <sub>COM(on)</sub>	V+ = 3.3 V, V <sub>NO</sub> , V <sub>NC</sub> = V <sub>COM</sub> = 0.3 V/3 V	Room	-2		2	nA
			Full	-20		20	
<b>Digital Control</b>							
Input High Voltage <sup>d</sup>	V <sub>INH</sub>		Full	1.4			V
Input Low Voltage	V <sub>INL</sub>		Full			0.5	
Input Capacitance	C <sub>in</sub>		Full		10		pF
Input Current	I <sub>INL</sub> or I <sub>INH</sub>	V <sub>IN</sub> = 0 or V+	Full	1		1	μA
<b>Dynamic Characteristics</b>							
Turn-On Time	t <sub>ON</sub>	V <sub>NO</sub> or V <sub>NC</sub> = 2.0 V, R <sub>L</sub> = 50 Ω, C <sub>L</sub> = 35 pF	Room		52	82	ns
Turn-Off Time	t <sub>OFF</sub>		Full		43	73	
Break-Before-Make Time	t <sub>d</sub>	V <sub>NO</sub> or V <sub>NC</sub> = 2.0 V, R <sub>L</sub> = 50 Ω, C <sub>L</sub> = 35 pF	Full	1	6		
Charge Injection <sup>d</sup>	Q <sub>INJ</sub>	C <sub>L</sub> = 1 nF, V <sub>GEN</sub> = 1.5 V, R <sub>GEN</sub> = 0 Ω	Room		21		pC
Off-Isolation <sup>d</sup>	OIRR	R <sub>L</sub> = 50 Ω, C <sub>L</sub> = 5 pF, f = 100 KHz	Room		-69		dB
Crosstalk <sup>d</sup>	X <sub>TALK</sub>		Room		-69		
NO, NC Off Capacitance <sup>d</sup>	C <sub>NO(off)</sub>	VIN = 0 or V+, f = 1 MHz	Room		145		pF
	C <sub>NC(off)</sub>		Room		145		
Channel-On Capacitance <sup>d</sup>	C <sub>NO(on)</sub>		Room		406		
	C <sub>NC(on)</sub>		Room		406		
<b>Power Supply</b>							
Power Supply Current	I+	V <sub>IN</sub> = 0 or V+	Room		0.001	1.0	μA
			Full			1.0	

#### Notes:

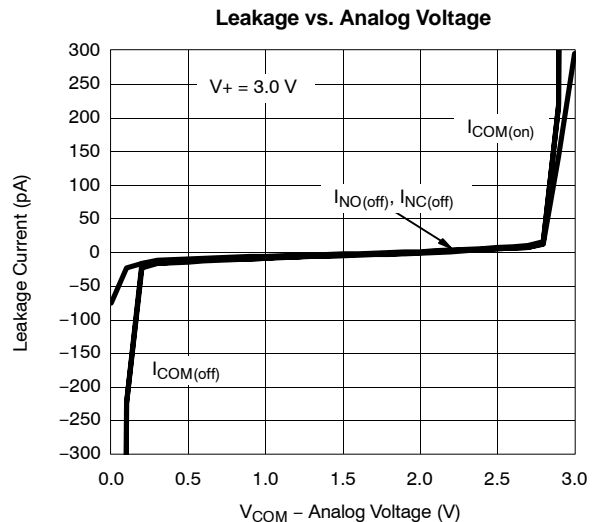
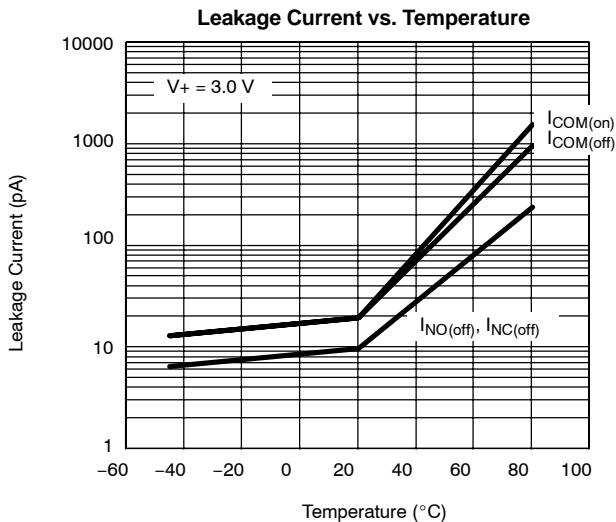
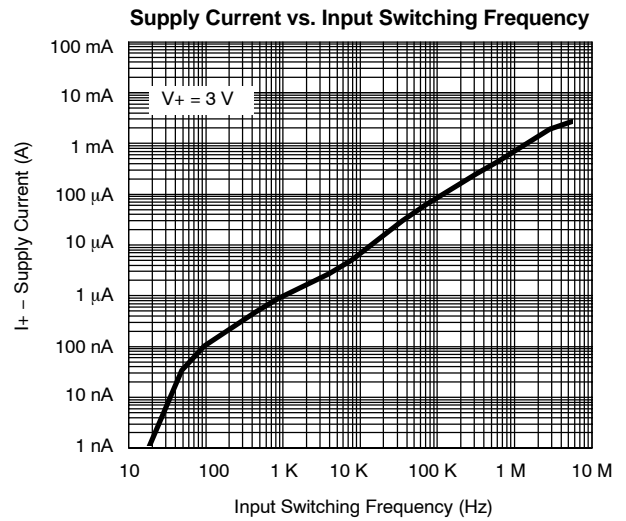
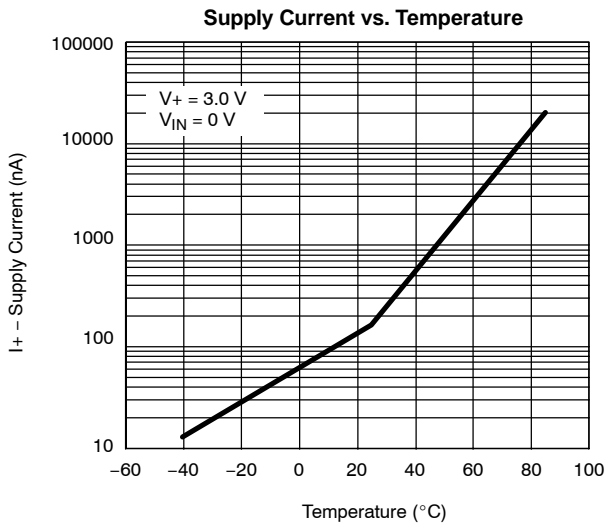
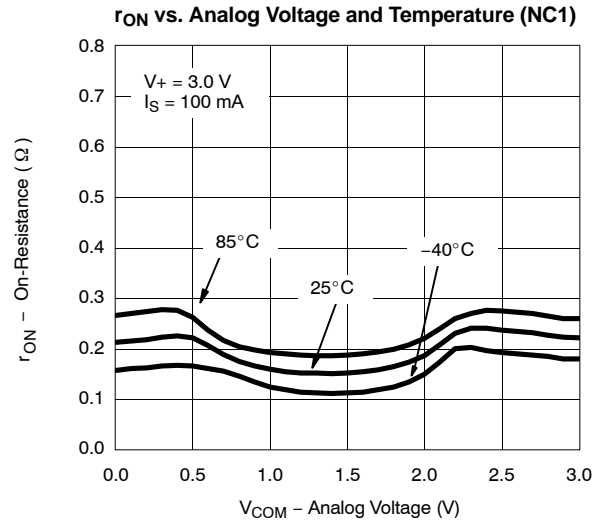
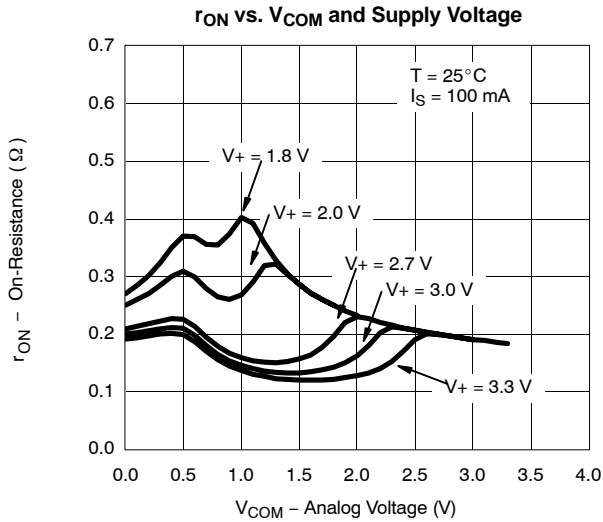
- Room = 25°C, Full = as determined by the operating suffix.
- Typical values are for design aid only, not guaranteed nor subject to production testing.
- The algebraic convention whereby the most negative value is a minimum and the most positive a maximum, is used in this data sheet.
- Guarantee by design, nor subjected to production test.
- V<sub>IN</sub> = input voltage to perform proper function.



New Product

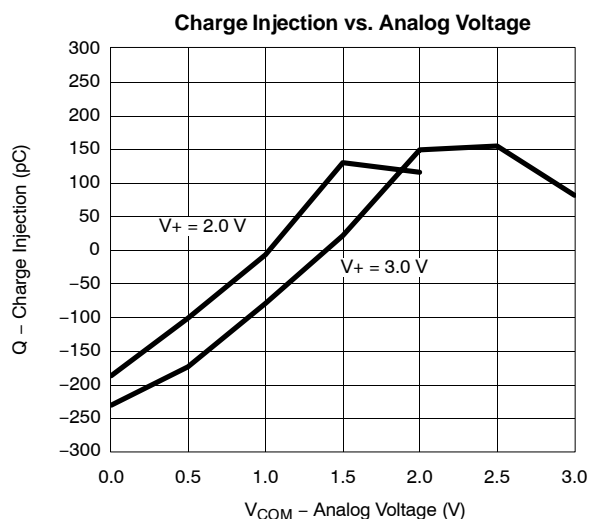
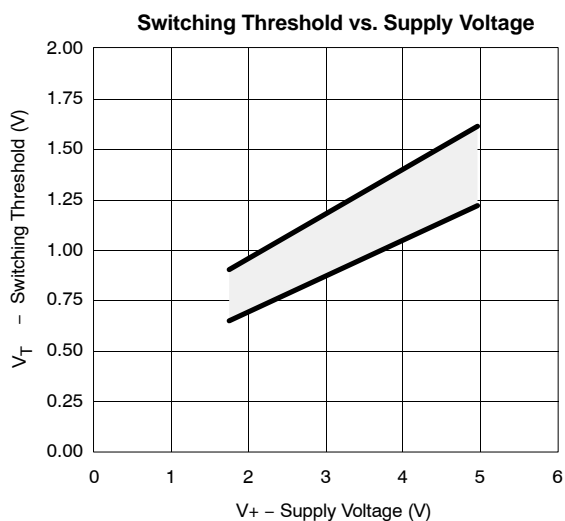
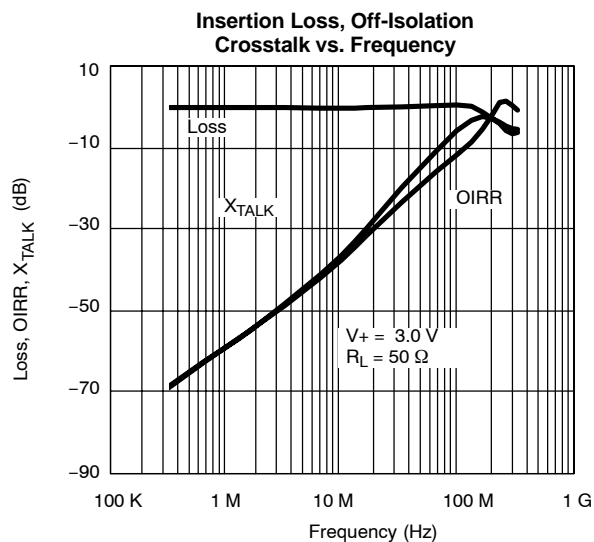
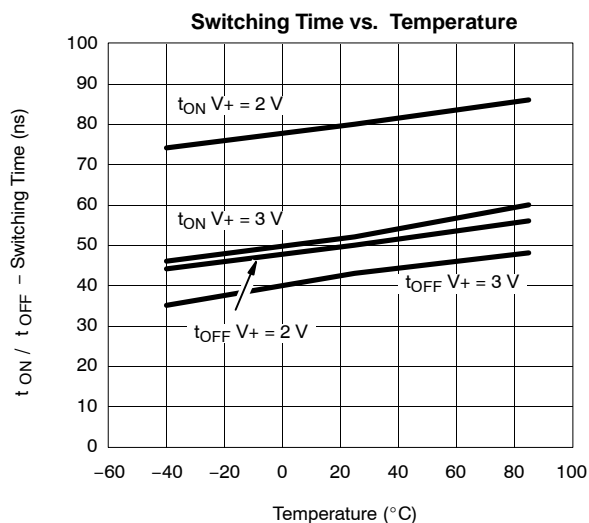
DG3535/DG3536  
Vishay Siliconix

**TYPICAL CHARACTERISTICS (25°C UNLESS NOTED)**

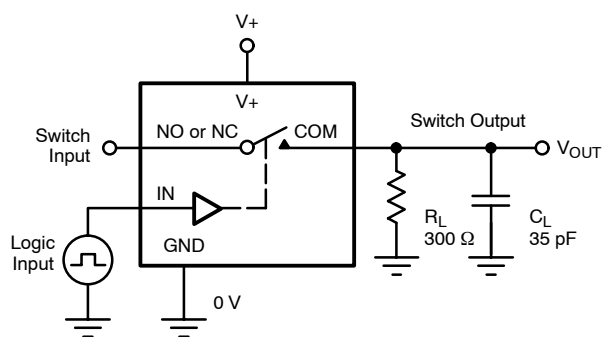




#### TYPICAL CHARACTERISTICS (25°C UNLESS NOTED)

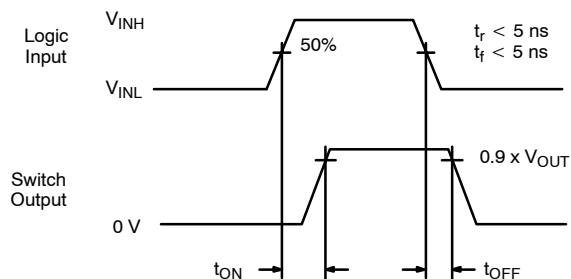


#### TEST CIRCUITS



$C_L$  (includes fixture and stray capacitance)

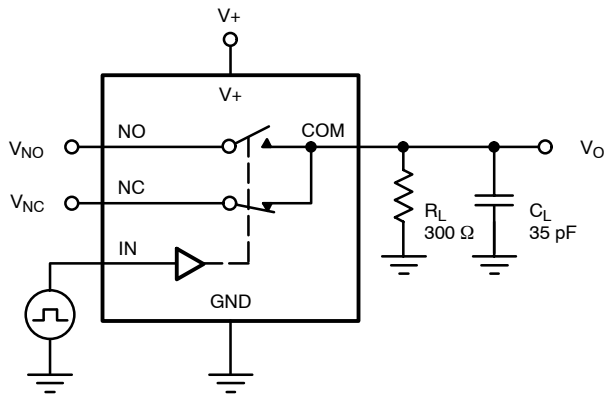
$$V_{OUT} = V_{COM} \left( \frac{R_L}{R_L + R_{ON}} \right)$$



Logic "1" = Switch On  
Logic input waveforms inverted for switches that have the opposite logic sense.

FIGURE 1. Switching Time

TEST CIRCUITS



$C_L$  (includes fixture and stray capacitance)

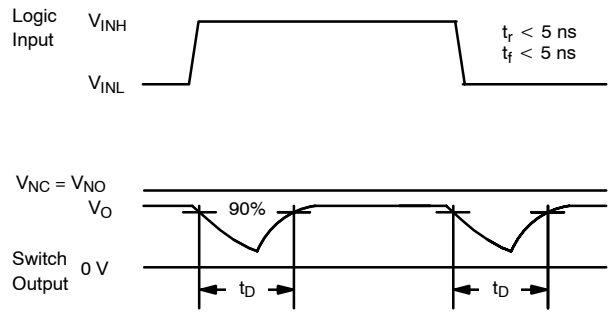
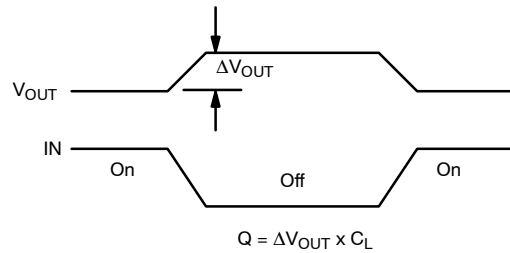
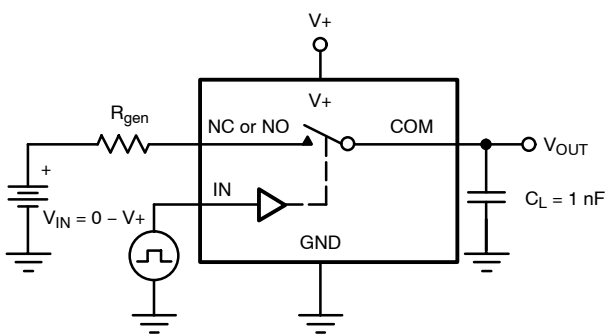
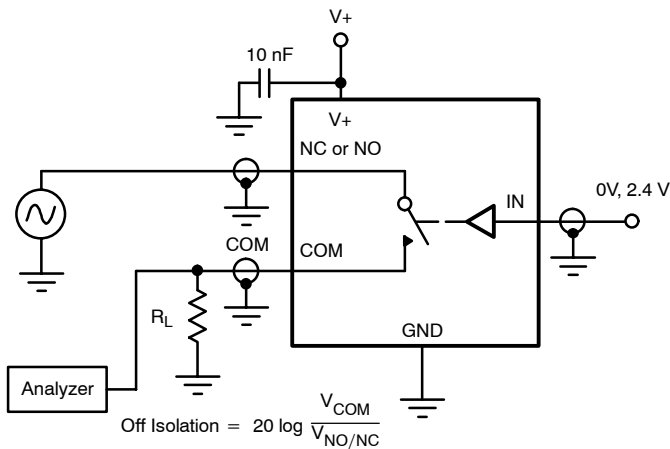


FIGURE 2. Break-Before-Make Interval



IN depends on switch configuration: input polarity determined by sense of switch.

FIGURE 3. Charge Injection



$$\text{Off Isolation} = 20 \log \frac{V_{\text{COM}}}{V_{\text{NO/NC}}}$$

FIGURE 4. Off-Isolation

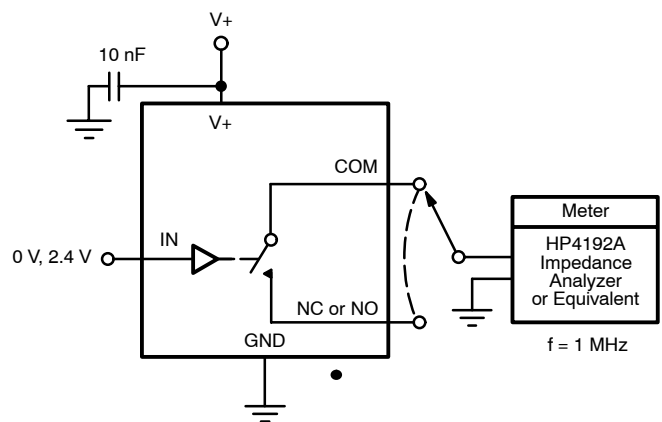
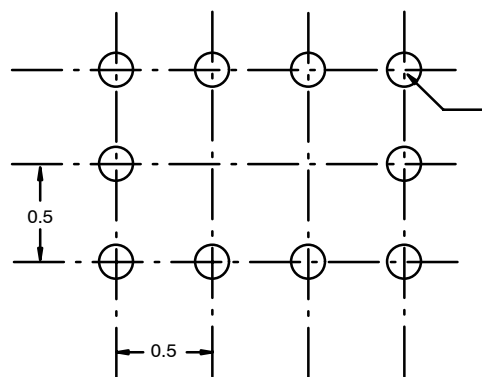


FIGURE 5. Channel Off/On Capacitance



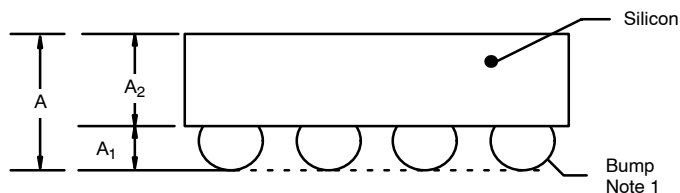
#### PACKAGE OUTLINE

#### MICRO FOOT: 10-BUMP (4 X 3, 0.5-mm PITCH, 0.238-mm BUMP HEIGHT)

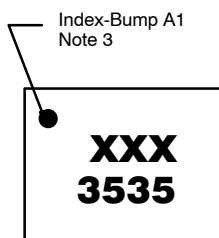


Recommended Land Pattern

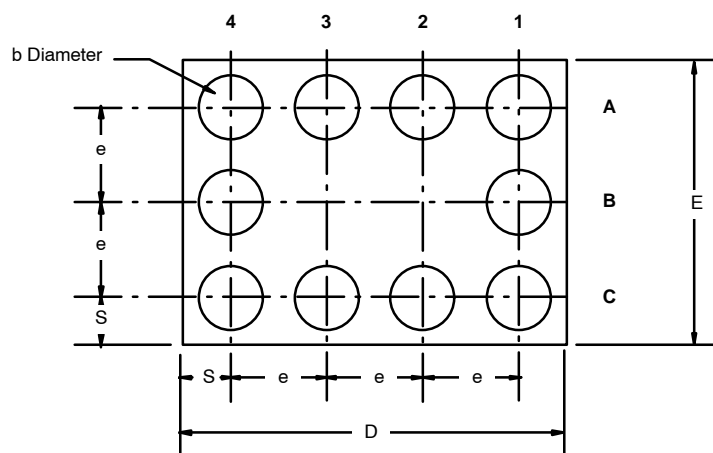
10 ×  $\varnothing$  0.150 ~ 0.229  
 Note 2  
 Solder Mask  $\varnothing$  ~ Pad Diameter +0.1



Bump  
 Note 1



Top Side (Die Back)



NOTES (Unless Otherwise Specified):

1. Bump is Lead Free Sn/Ag/Cu.
2. Non-solder mask defined copper landing pad.
3. Laser Mark on silicon die back; back-lapped, no coating. Shown is not actual marking; sample only.

Dim	MILLIMETERS*		INCHES	
	Min	Max	Min	Max
A	0.688	0.753	0.0271	0.0296
A <sub>1</sub>	0.218	0.258	0.0086	0.0102
A <sub>2</sub>	0.470	0.495	0.0185	0.0195
b	0.306	0.346	0.0120	0.0136
D	1.980	2.020	0.0780	0.0795
E	1.480	1.520	0.0583	0.0598
e	0.5 BASIC		0.0197 BASIC	
S	0.230	0.270	0.0091	0.0106

\* Use millimeters as the primary measurement.

Vishay Siliconix maintains worldwide manufacturing capability. Products may be manufactured at one of several qualified locations. Reliability data for Silicon Technology and Package Reliability represent a composite of all qualified locations. For related documents such as package/tape drawings, part marking, and reliability data, see <http://www.vishay.com/ppg?72961>.