



查询VHS-45供应商

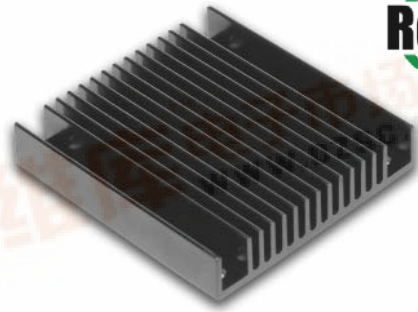
V-INFINITY

捷多邦, 专业PCB打样工厂, 24小时加急出货

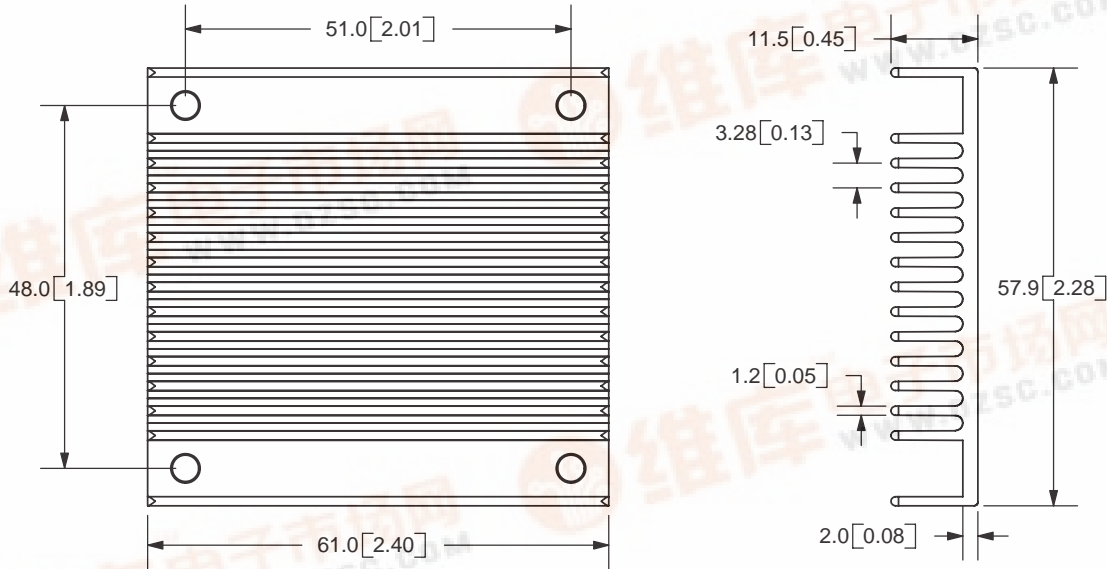
VHS-45 Extruded Heat Sink

Features

- Designed for half-brick converters
- Keeps converters cool with natural convection or forced air
- Includes mounting screws and washers
- Black anodized finish



Mechanical Data



Weight: xxxoz (xxg) net

Mounting Hardware: 4x M3 x 12mm screw included, washer

Thermal Data

