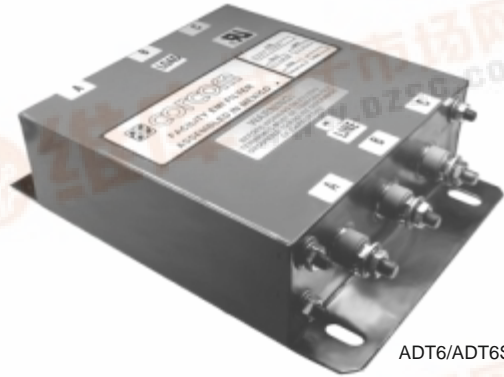


# ADT Series



UL Recognized



ADT6/ADT6S

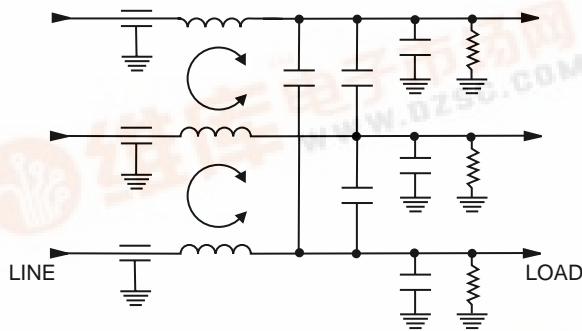
## ADT Series

Designed with very high insertion loss for Delta applications, these three phase filters work well in industrial applications to bring high current motor drives into compliance with the European EMC Directives.

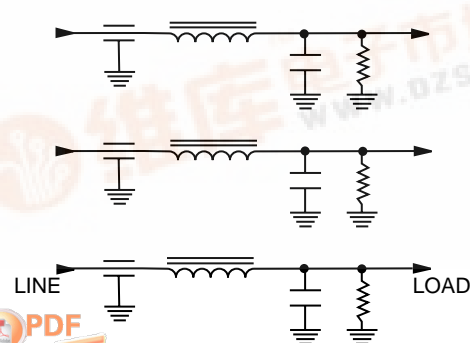
The series offers filters between 63 and 200 amps at 480 VAC phase-to-phase. It is available with common or differential mode (S models) coils for the correct protection to fit the application.

## Electrical Schematics

### ADT6



### ADT6S



## Specifications

### Maximum leakage current, each line-to-ground

ADT6/ADT6S	0.76A/2.7A @ 230V 50 Hz
63ADT6S	1.5A @ 230V 50 Hz

### Hipot rating (one minute):

line-to-ground	2250 VDC
line-to-line	2160 VDC

### Operating frequency:

50/60 Hz

### Rated voltage:

phase-to-phase:	480 VAC
phase-to-ground:	277 VAC

### Typical insertion loss in dB:

Line-to-ground in 50 ohm circuit:

Current Rating	Frequency-MHz						
	.01	.1	1	10	30	100	300
63ADT6	45	85	95	100	100	100	100
100ADT6	45	85	90	100	100	100	100
160ADT6	45	80	90	100	100	100	100
200ADT6	45	77	88	100	100	100	100
63ADT6S	28	45	90	90	90	90	90
100ADT6S	38	60	95	100	100	100	100
160ADT6S	37	58	85	100	100	100	100
200ADT6S	35	54	80	100	100	100	100

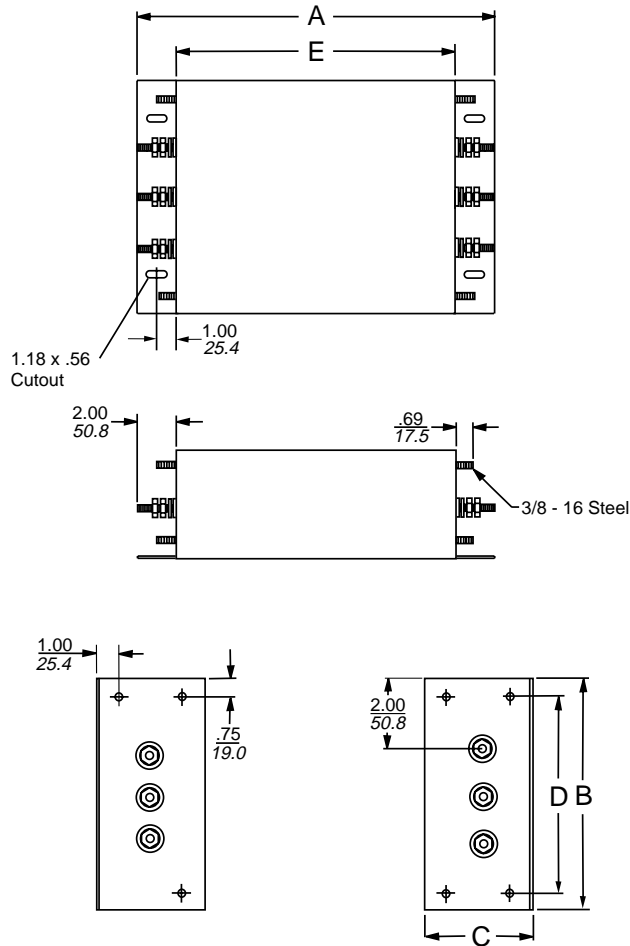
Line-to-line in 50 ohm circuit:

Current Rating	Frequency-MHz						
	.01	.1	1	10	30	100	300
63ADT6	35	100	100	100	100	100	100
100ADT6	43	100	100	100	100	100	100
160ADT6	44	100	100	100	100	100	100
200ADT6	43	100	100	100	100	100	100
63ADT6S	35	100	100	100	100	100	100
100ADT6S	43	100	100	100	100	100	100
160ADT6S	44	100	100	100	100	100	100
200ADT6S	43	100	100	100	100	100	100



# ADT Series

## Case Style



Terminals:

63ADT6, 63ADT6S, 100ADT6S: 3/8-16 (6)  
Torque (Max.): 70 in.lb.

100ADT6, 160ADT6, 160ADT6S, 200ADT6, 200ADT6S: 7/16-20 (6)  
Torque (Max.): 125 in.lb.

## Case Dimensions

Part No.	A (max)	B (max)	C (max)	D $\pm .030$ $\pm .76$	E (max)
63ADT6	14.00 355.6	10.00 254.0	3.50 89.0	8.50 216.0	10.00 254.0
63ADT6S	19.00 482.6	10.00 254.0	4.50 114.3	8.50 216.0	15.00 381.0
100ADT6	19.00 482.6	10.00 254.0	4.50 114.3	8.50 216.0	15.00 381.0
100ADT6S	19.00 482.6	11.00 279.4	4.50 114.3	8.50 216.0	15.00 381.0
160/200ADT6	19.00 482.6	10.00 254.0	4.50 114.3	8.50 216.0	15.00 381.0
160/200ADT6S	22.00 558.8	13.00 330.2	4.50 114.3	11.50 292.2	18.00 457.2

## Part Numbers

63ADT6	63ADT6S
100ADT6	100ADT6S
160ADT6	160ADT6S
200ADT6	200ADT6S