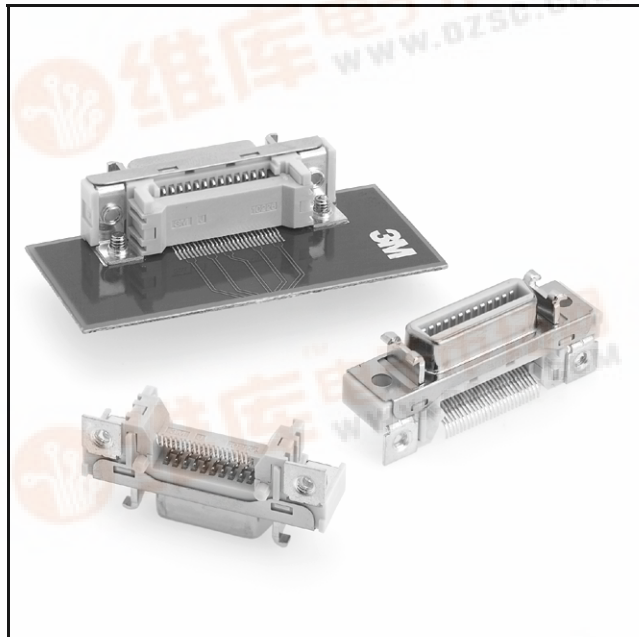


3M™ Mini D Ribbon (MDR) Connectors

.050" Surface Mount Right Angle Receptacle - Shielded

102 Series



- Wiper-on-wiper contact for reliable repetitive plugging
- Ultra-low signal skew for high data rate transmission
- Interface latch design for connection stability
- MDR digital LCD interface as a 20 or 26 contact connector
- Contacts: 14, 20, 26, 40 and 50
- RoHS* compliant version (-PE plating suffix) available

Date Modified: April 5, 2005

TS-0755-10
Sheet 1 of 3

Physical

Insulation

Material: Glass Reinforced Polyester (PCT)
Flammability: UL 94V-0
Color: Beige

Contact

Material: Copper Alloy (C521)

Plating

Underplating: 80 μ" (2.0 μm) Nickel - QQ-N-290, Class 2
Wiping Area: 30 μ" (0.76 μm) Min Gold - MIL-G-45204, Type II, Grade C
Solder Tails: See ordering information

Shroud & Latch Hook

Material: Steel
Plating: Nickel

Screw Lock

Material: Copper Alloy (C521)
Plating: Tin

Marking: 3M Logo & Part Number

Electrical

Current Rating: 1 A

Insulation Resistance: $> 5 \times 10^8 \Omega$ at 500 VDC

Withstanding Voltage: 500 Vrms for 1 Minute

Environmental

Temperature Rating: -55°C to +105°C

Process: Surface mount compatible - max. temp. 240°-250°C for 10 seconds.

UL File No.: E68080 *RoHS = Directive 2002/95/EC, Restriction of the Use of Certain Hazardous Substances in Electrical and Electronic Equipment

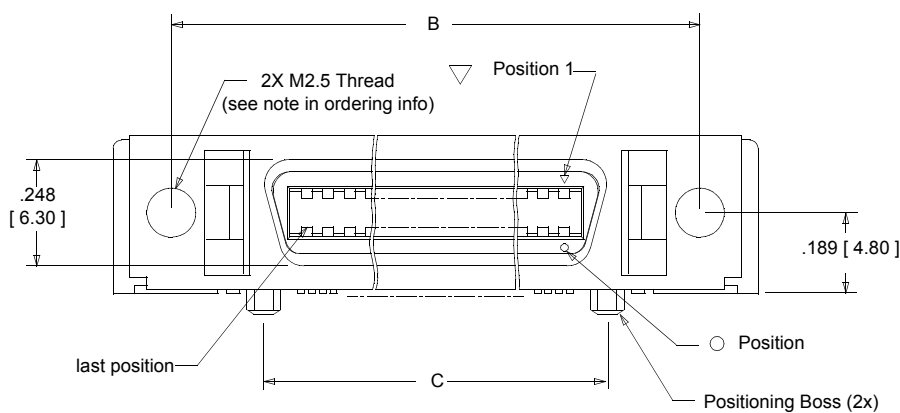
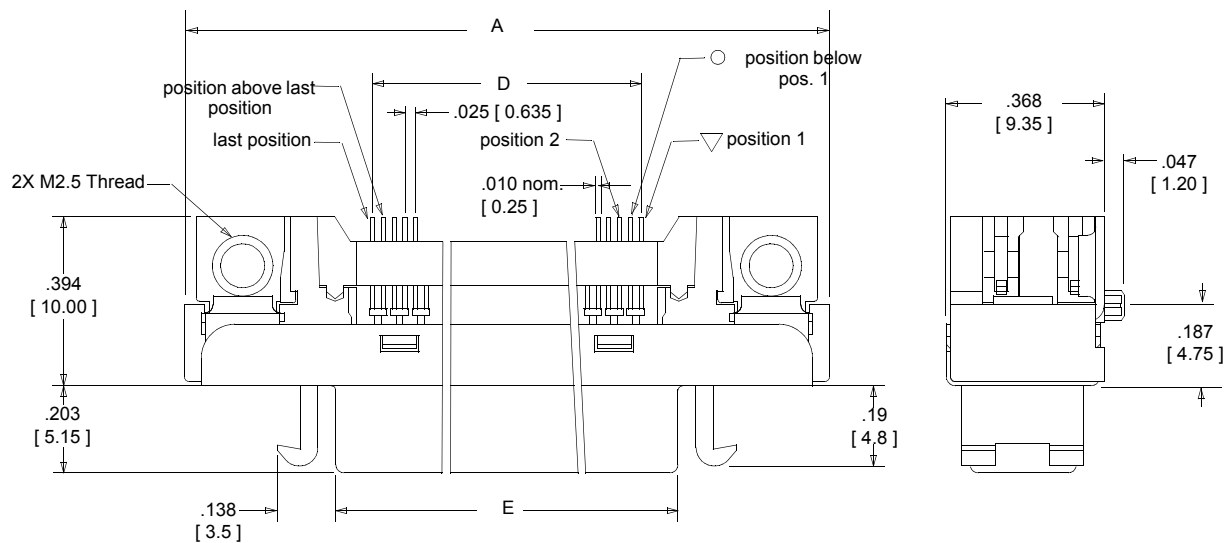
3M™ Mini D Ribbon (MDR) Connectors

.050" Surface Mount Right Angle Receptacle - Shielded

102 Series



Contact Quantity	3M Part Number	Dimensions				
		A±.008	B±.006	C±.006	D±.006	E±.006
14	10214-1210 VE	1.16 [29.5]	.93 [23.64]	.47 [12.70]	.33 [8.26]	.50 [12.6]
20	10220-1210 VE	1.32 [33.4]	1.081 [27.45]	.650 [16.51]	.475 [12.07]	.646 [16.4]
26	10226-1210 VE	1.50 [38.2]	1.231 [31.26]	.800 [20.32]	.625 [15.88]	.795 [20.2]
40	10240-1210 VE	1.85 [47.1]	1.581 [40.15]	1.150 [29.21]	.975 [24.77]	1.150 [29.2]
50	10250-1210 VE	2.06 [52.4]	1.831 [46.50]	1.400 [35.56]	1.225 [31.12]	1.40 [35.5]



Inch [mm]			
Tolerance Unless Noted			
	.0	.00	.000
inch	±.1	±.01	±.005

[] Dimensions for Reference Only

Ordering Information

102XX-1210XE

Contact Quantity
(See Table)

Solder tail plating:
V = tin-lead over Ni
P = flash gold over Ni (RoHS compliant)

Note: Use (M2.5x8 mm) screws to mount to panel with max. thickness of 2.0 mm.

TS-0755-10
Sheet 2 of 3

3M™ Mini D Ribbon (MDR) Connectors

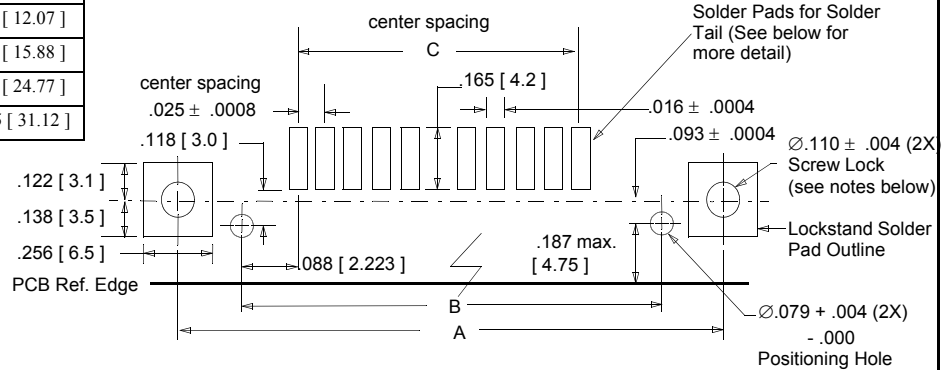
.050" Surface Mount Right Angle Receptacle - Shielded

102 Series

Contact Quantity	Dimensions		
	A ± .002	B ± .002	C ± .002
14	.930 [23.64]	.500 [12.70]	.325 [8.26]
20	1.081 [27.45]	.650 [16.51]	.475 [12.07]
26	1.230 [31.26]	.800 [20.32]	.625 [15.88]
40	1.581 [40.15]	1.150 [29.21]	.975 [24.77]
50	1.831 [46.50]	1.400 [35.56]	1.225 [31.12]

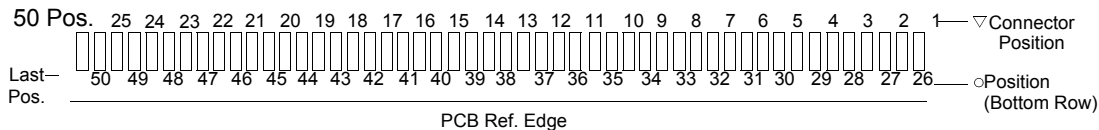
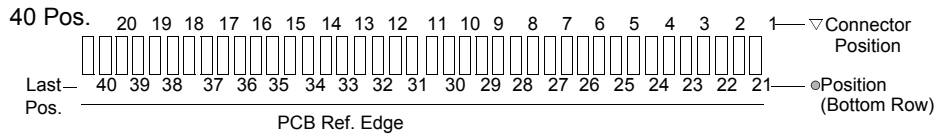
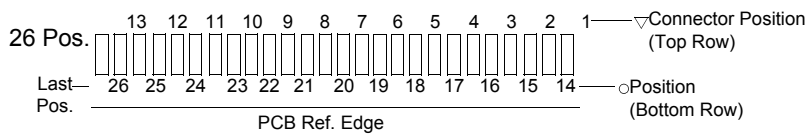
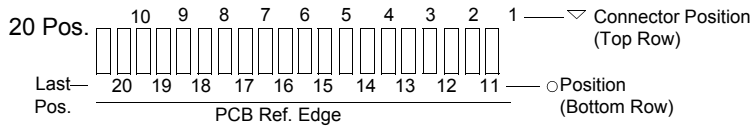
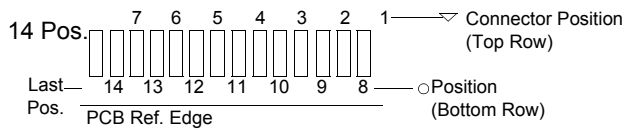
Recommended Board Layout

(viewed from connector side)



Solder Tail Layout Detail

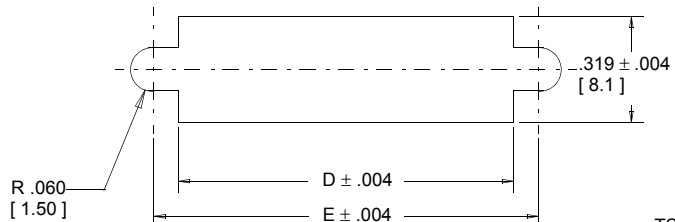
(#'s Correspond to Connector Contact # Shown on Previous Page)



Contact Quantity	D	E
14	1.10 [19.9]	.931 [23.64]
20	.94 [23.8]	1.081 [27.45]
26	1.09 [27.6]	1.231 [31.26]
40	1.44 [36.5]	1.581 [40.15]
50	1.69 [42.8]	1.830 [46.50]

Recommended Panel Cut-out

Note: Panel thickness .079 [2.00] Max.



**Notes:

1. Plated through holes for .062" board thickness.
2. Use mounting screws (M2.5) to fasten to board.

TS-0755-10
 Sheet 3 of 3

Important Notice

All statements, technical information, and recommendations related to 3M's products are based on information believed to be reliable, but the accuracy or completeness is not guaranteed. Before using this product, you must evaluate it and determine if it is suitable for your intended application. You assume all risks and liability associated with such use. Any statements related to the product which are not contained in 3M's current publications, or any contrary statements contained on your purchase order shall have no force or effect unless expressly agreed upon, in writing, by an authorized officer of 3M.

Warranty; Limited Remedy; Limited Liability.

This product will be free from defects in material and manufacture for a period of 90 days from the time of purchase. **3M MAKES NO OTHER WARRANTIES INCLUDING, BUT NOT LIMITED TO, ANY IMPLIED WARRANTY OF MERCHANTABILITY OR FITNESS FOR A PARTICULAR PURPOSE.** If this product is defective within the warranty period stated above, your exclusive remedy shall be, at 3M's option, to replace or repair the 3M product or refund the purchase price of the 3M product. **Except where prohibited by law, 3M will not be liable for any indirect, special, incidental or consequential loss or damage arising from this 3M product, regardless of the legal theory asserted.**



Electronic Solutions Division

6801 River Place Blvd.
Austin, TX 78726-9000



Minimum 10% Recycled Content

Printed in USA.