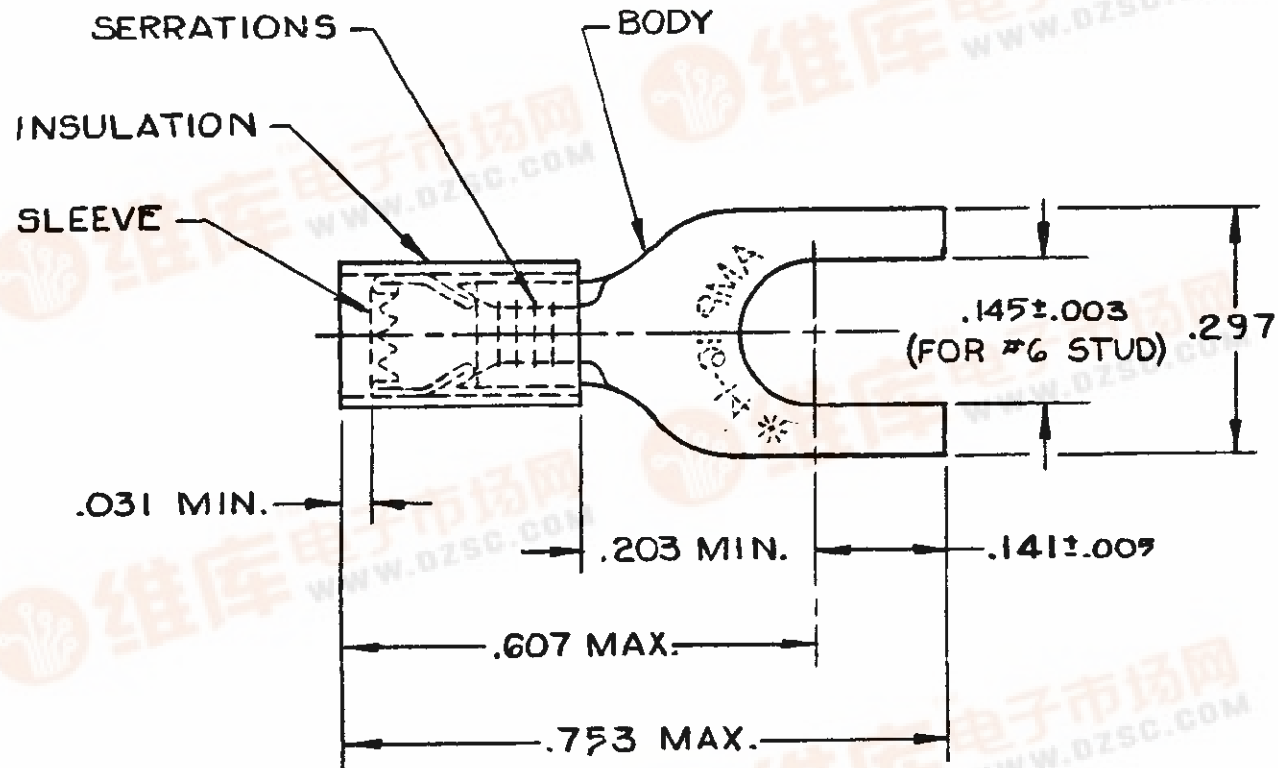


DRAWING MADE IN THIRD ANGLE PROJECTION

THIS DRAWING IS UNPUBLISHED. RELEASED FOR PUBLICATION, 19
 © COPYRIGHT 19 BY AMP INCORPORATED, HARRISBURG, PA. ALL INTERNATIONAL RIGHTS RESERVED. AMP PRODUCTS MAY BE COVERED BY U.S. AND FOREIGN PATENTS AND/OR PATENTS PENDING.

REVISIONS						
P	F	ZONE	LTR	DESCRIPTION	DATE	APPROVED
✓	✓		C	REDRAWN, REVISED PER G-1477, G-1179. P85-0071 & P85-0072	1/27/86	<i>figm</i>
✓	✓		D	REV PER G-4732	5/7/88	<i>Dic</i>
✓	✓		E	OBS. 2--2, 2--3 PER G-4217, G-4218	5/14/88	<i>AGI</i>
			F	REV. / 0720-0036-93	3-8-93	<i>me</i>
			G	REV / 0720-0310-94	12-1-94	<i>me</i>
			H	OBS. 8--5 / 0720-0900-96	6-10-96	<i>TM</i>



- 1 WIRE INSULATION DIA. = .115-.170
- 2 TONGUE MATERIAL THK. = .031±.002
- 3 TIN PLATE (MIL-T-10727) .000100 MIN THK.

OBSOLETE	50	LOOSE PC, BAG	8-35559-5
	100	LOOSE PC, BOX	8-35559-1
OBSOLETE	100	ON TAPE, SM. BOX	2-35559-3
OBSOLETE	1000	ON TAPE, LG. BOX	2-35559-2
	5000	ON TAPE, REEL	2-35559-1
	—	LOOSE PIECE	35559
	QTY.	DESCRIPTION	PART NO

UNLESS OTHERWISE SPECIFIED DIMENSIONS ARE IN INCHES. TOLERANCES ON: DECIMALS ±.008 ANGLES ±	CONTRACT NO		AMP AMP INCORPORATED Harrisburg, Pa.	
	DR UTA/RFB 9-27-89			
MATERIAL INSULATION: NYLON - BLUE BODY & SLEEVE: COPPER (QG-C-376)	CHK <i>P. Mitzalbaugh</i> 1-27-86		NAME TERMINAL, P.I.D.G., SPADE WIRE SIZE: 16-14	
	APPD <i>Maitron 01/28/86</i>		DRAWING NO. 35559	
FINISH BODY: 3	DSGN APPD		SIZE B	F3CM NO 00779
	OTHER APPD		SHEET 1 OF 1	

