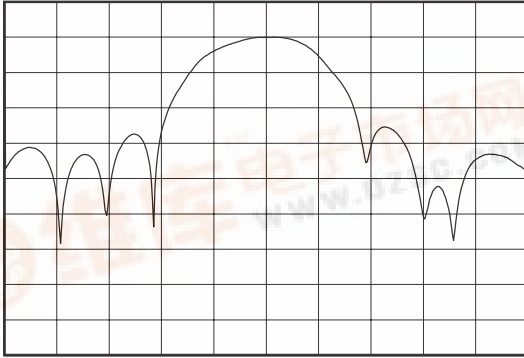




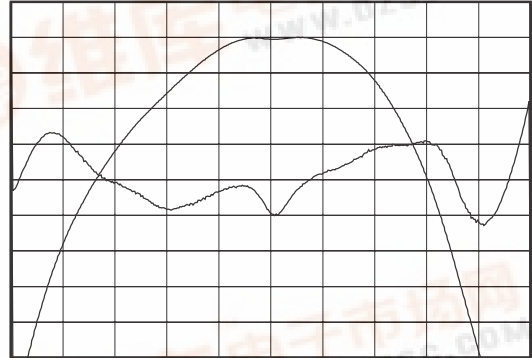
87.000 MHz Low-Loss Filter
400 kHz Bandwidth
Part Number 855500

Preliminary Specifications

Typical Performance



Horizontal: 200 kHz/Div
 Vertical: 10 dB/Div



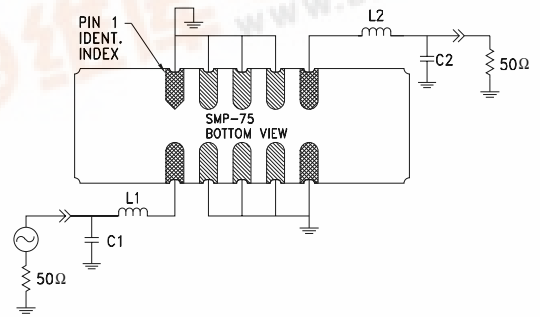
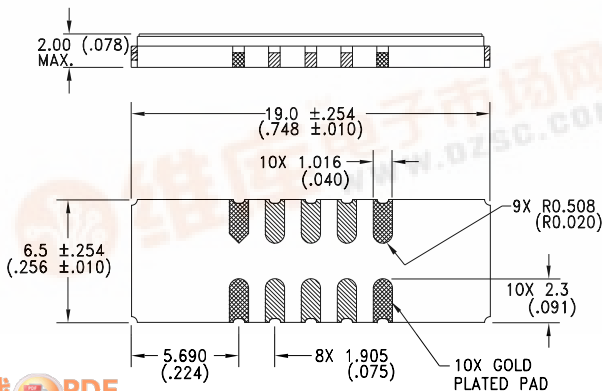
Horizontal: 60 kHz/Div
 Vertical: 1 dB/Div
 Vertical: 210 nsec/Div

Specifications

Parameter	Unit	Minimum	Typical	Maximum
Center Frequency	MHz	-	87	-
Insertion Loss (87 ± .075 MHz)	dB	-	5.2	7
3.5 dB Bandedges	MHz	-	± .182	±.2
20 dB Bandedges	MHz	-	± .35	±.4
25 dB Bandedges	MHz	-	± .371	±.6
28 dB Bandedges	MHz	-	-	±.8
Amplitude Variation (87 ± .075 MHz)	dB p-p	-	0.62	1
Absolute Group Delay (87 ± .075 MHz)	μsec	-	2.3	2.4
Group Delay Variation (87 ± .075 MHz)	nsec	-	230	350
Input and Output VSWR	dB	-	1.2	1.7
Ultimate Rejection 30 to 85.4 MHz	dB	34	47	-
Ultimate Rejection 88.6 to 180 MHz	dB	34	46	-
Ultimate Rejection 180 to 2000 MHz	dB	50	60	-
Substrate Material		-	Quartz	-
Temperature Range	°C	-5	25	70

Package Outline

Matching Configuration



L1 = 247 nH, L2 = 190 nH
 C1 = 53 pF, C2 = 54 pF
 Nominal Source/Load Impedance = 50Ω
 Package Type SMP-75

10/20/99

