

查询PLF-3DZ2R供应商

捷多邦, 专业PCB打样工厂, 24小时加急出货

ADAM TECH

EMI/RFI POWER LINE FILTERS

Adam Technologies, Inc.

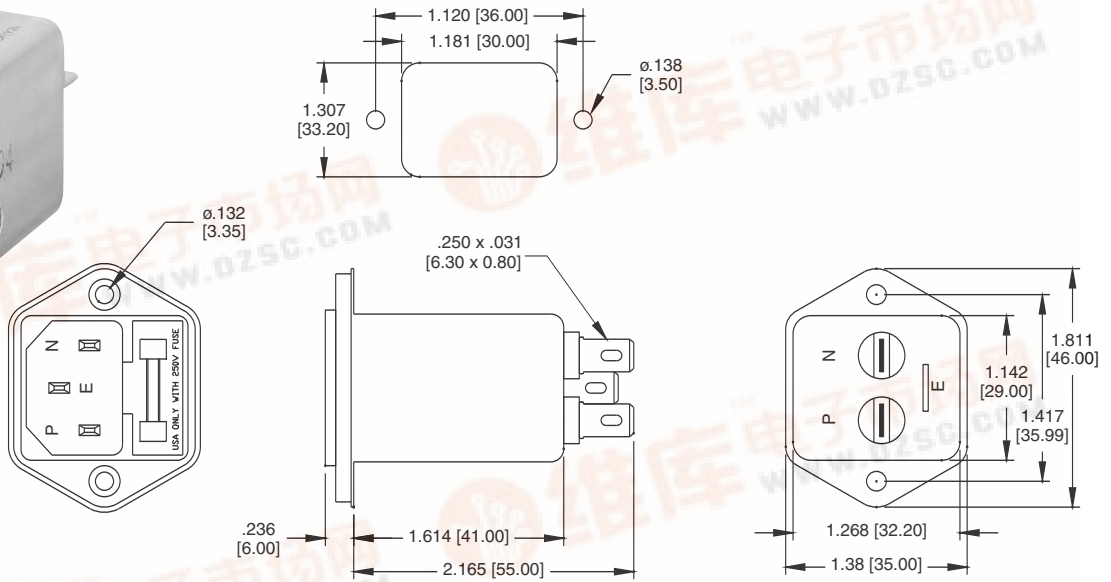
FUSED INLET SOCKET WITH FLANGE MOUNTING

PLF SERIES

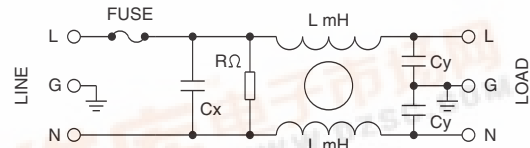
Recommended Panel Cut-Out



PLF-10DZ2R

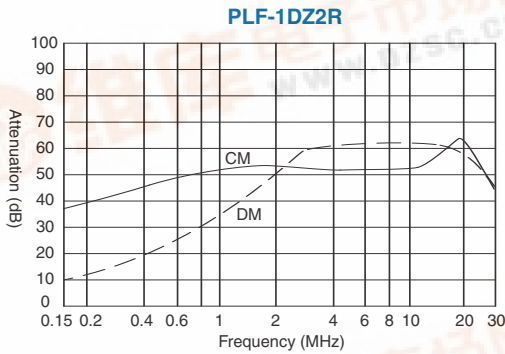


PART NUMBER	RATED VOLTAGE	RATED CURRENT	GROUND CAPACITANCE	LEAKAGE CURRENT
PLF-1DZ2R	250V AC	1 AMP	2.2 nF	0.5mA MAX.
PLF-3DZ2R	250V AC	3 AMP	2.2 nF	0.5mA MAX.
PLF-6DZ2R	250V AC	6 AMP	2.2 nF	0.5mA MAX.
PLF-10DZ2R	250V AC	10 AMP	2.2 nF	0.5mA MAX.

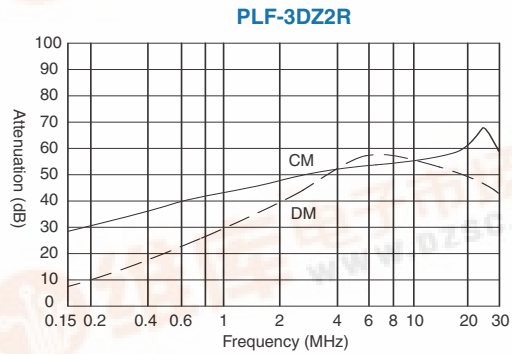


CIRCUIT DIAGRAM

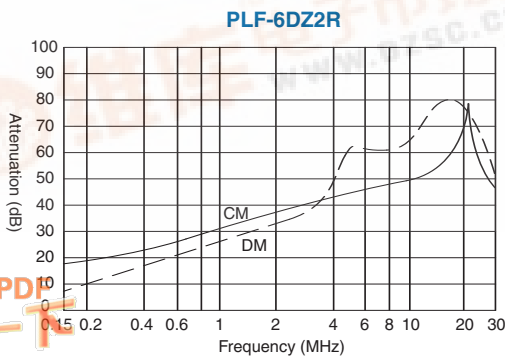
Insertion Loss in dB (Measured in 50Ω systems, as IEC / cispr No. 17)



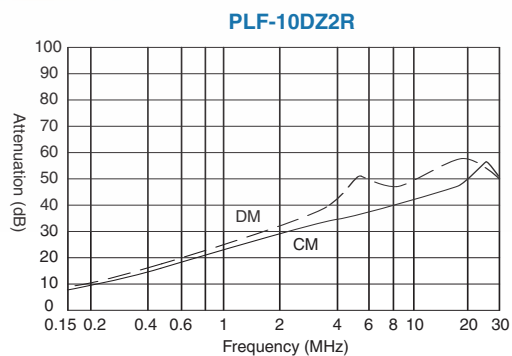
PLF-1DZ2R



PLF-3DZ2R



PLF-6DZ2R



PLF-10DZ2R

