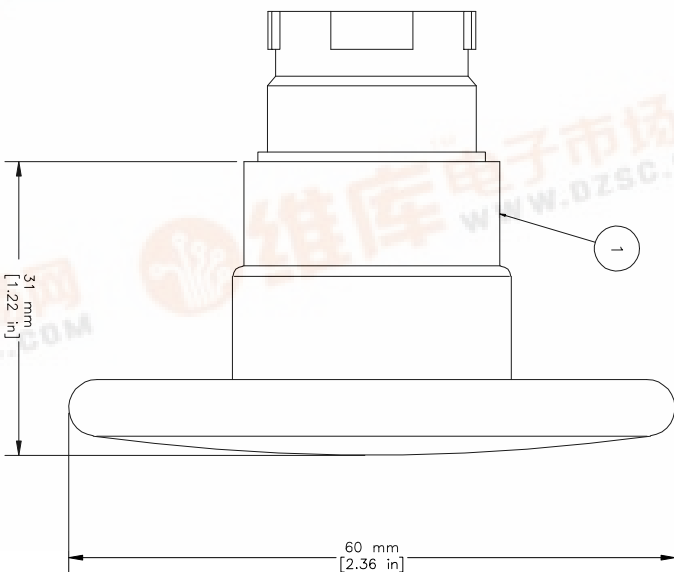
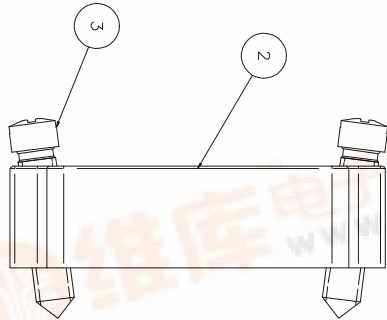
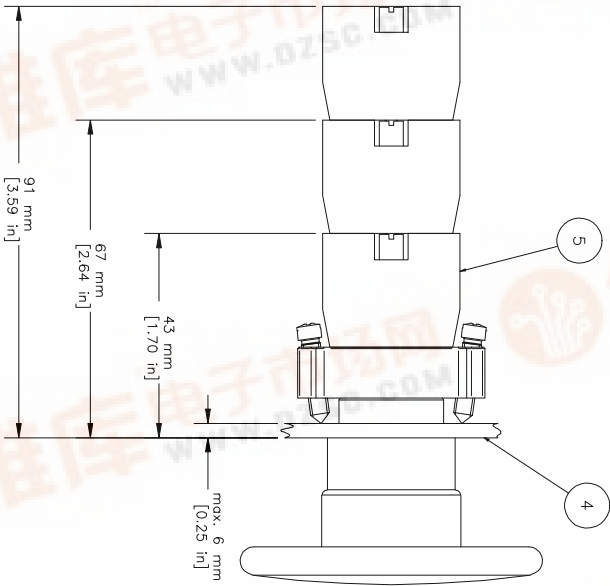
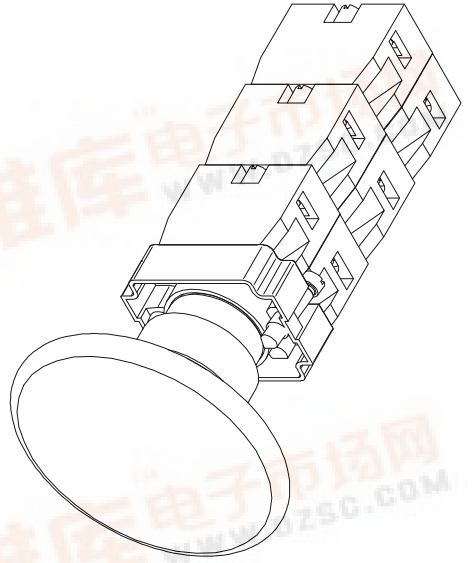


捷多邦，专业PCB打样工厂，24小时加急出货

查询2AMJ1供应商



| REVISIONS FOR DWG # 1PB-2AMJX | | | |
|-------------------------------|-----------------|----------|------------|
| REV. CH. NO. | DESCRIPTION | DATE | REVISED BY |
| - | ORIGINAL DESIGN | 09/17/07 | Phil E. |

| ITEM | DESCRIPTION | CAT. NO. | COLOR | MIN. QTY. | MAX. QTY. |
|-------|--|---------------|------------|-----------|-----------|
| 1 | Mushroom Momentary Large Operator (comes with mounting bracket 2BRK) | 2AMJ1 | White | 1 | 1 |
| | | 2AMJ2 | Black | 1 | 1 |
| | | 2AMJ3 | Green | 1 | 1 |
| | | 2AMJ4 | Red | 1 | 1 |
| | | 2AMJ6 | Blue | 1 | 1 |
| 2AMJ8 | Yellow | 1 | 1 | | |
| 2 | Mounting Bracket | 2BRK | - | 1 | 1 |
| 3 | Mounting Bracket Screws | incl. in 2BRK | - | 2 | 2 |
| 4 | Panel | - | - | - | - |
| 5 | Switch Contacts | S1 | Green | 1 | 6 |
| | | S2 | Red | 1 | 6 |
| | | S3 | Green/Gray | 1 | 6 |
| | | S4 | Red/Gray | 1 | 6 |

UNLESS OTHERWISE SPECIFIED ALL DIMENSIONS ARE IN MILLIMETERS

• TOLERANCE
 XX ±1mm
 XXX ±0.5mm
 XXXX ±0.2mm
 ALL - mm

Altech Corp.

35 Royal Road
 Flemington NJ 08822-6000
 (908) 806-9400 • Fax (908) 806-9490

AND IS A CONFIDENTIAL DISCLOSURE LENT WITHOUT CONSIDERATION, OTHER THAN THE BORROWER'S AGREEMENT THAT IT SHALL NOT BE REPRODUCED, COPIED, LENT, OR DISPOSED OF DIRECTLY OR INDIRECTLY NOR USED FOR ANY PURPOSE OTHER THAN THAT FOR WHICH IT IS SPECIFICALLY FURNISHED.

| | | | |
|---------------------------------|--|------------------------|--|
| DRAWN BY: Philipp Ernsterberger | | DRAWING NO.: 1PB-2AMJX | |
| CHECKED BY: Laszlo Gyorgypal | | SCALE: - | |
| RELEASED BY: Laszlo Gyorgypal | | SHEET: 1 OF: 1 | |
| DATE: 09/17/07 | | | |

TITLE: 22mm Non-Illuminated Large Mushroom Momentary Metal Operator 2AMJX (X=color)

