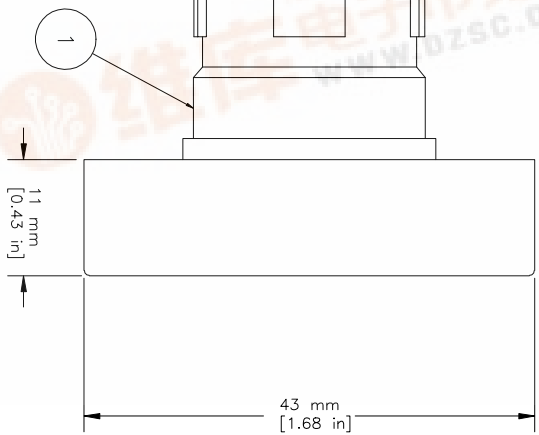
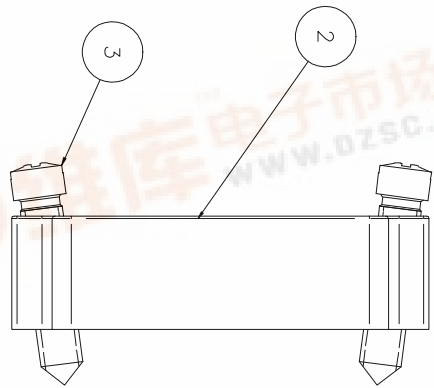
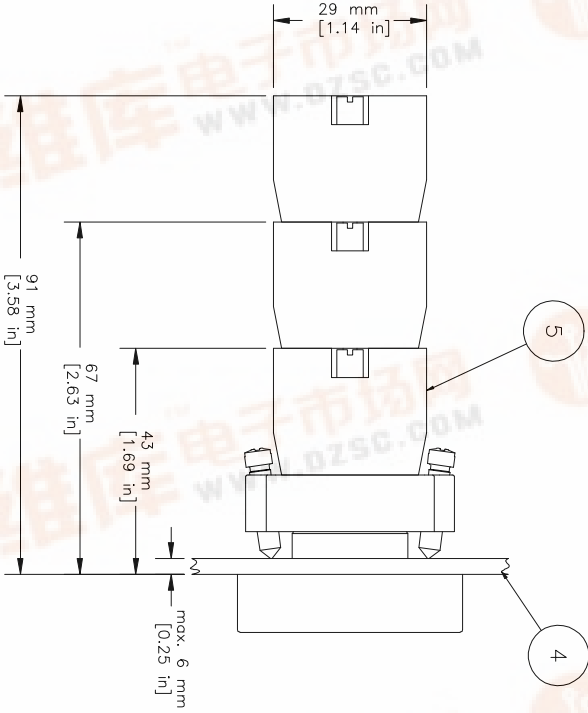
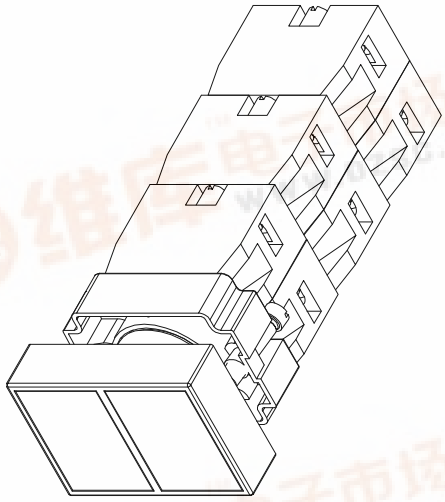


捷多邦，专业PCB打样工厂，24小时加急出货

查询2ATF1-F1供应商



REVISIONS FOR DWG # 1PB-2ATFX-FX			
REV. CH. NO.	DESCRIPTION	DATE	REVISED BY
-	ORIGINAL DESIGN	10/25/07	Phil E.

ITEM	DESCRIPTION	CAT. NO.	COLOR	MIN. QTY.	MAX. QTY.
1	Twin Touch/ Not marked, flush (comes with 2BRK)	2ATF3-F4 2ATF8-F2 2ATF1-F1	Green-Red Yellow-Black White-Black	1 1 1	1 1 1
2	Mounting Bracket	2BRK	-	1	1
3	Mounting Bracket Screws	Incl. in 2BRK	-	2	2
4	Panel	S1 S2 S3 S4	Green Red Green/Gray Red/Gray	1 1 1 1	6 6 6 6
5	Switch Contacts	S4	Red/Gray	1	6

TITLE: 22mm Twin Touch Metal Non-Illuminated Operators Flush 2ATFX-FY (x=Color)

UNLESS OTHERWISE SPECIFIED
 • ALL DIMENSIONS ARE IN MILLIMETERS
 • THIRD ANGLE PROJECTION

• TOLERANCE
 XX ±1mm
 XXX ±0.5mm
 XXXX ±0.2mm
 ALL - mm

MEHR-C

This Drawing is the property of
Altech Corp.
 35 Royal Road
 Flemington NJ 08822-6000
 (908) 806-9400 • Fax (908) 806-9490

AND IS A CONFIDENTIAL DISCLOSURE
 LENT WITHOUT CONSIDERATION. OTHER
 THAN THE BORROWER'S AGREEMENT
 THAT IT SHALL NOT BE REPRODUCED,
 COPIED, LENT, OR DISPOSED OF
 DIRECTLY OR INDIRECTLY NOR USED
 FOR ANY PURPOSE OTHER THAN THAT
 FOR WHICH IT IS SPECIFICALLY
 FURNISHED.

DRAWN BY: Philips Ernstberger 10/25/07
 CHECKED BY: Laszlo Gyorgyfalvi 10/25/07
 RELEASED BY: Laszlo Gyorgyfalvi 10/25/07

DRAWING NO.: 1PB-2ATFX-FX
 SCALE: - SHEET: 1 OF: 1

