

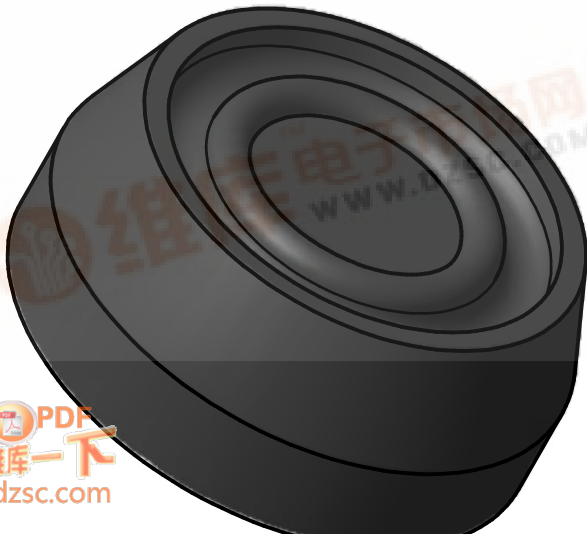
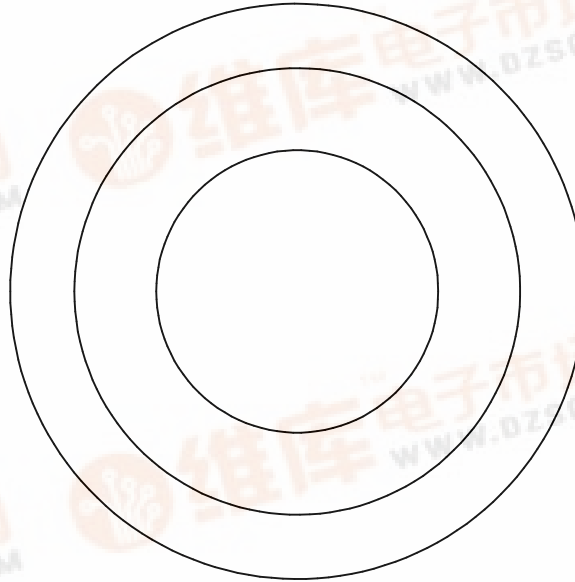
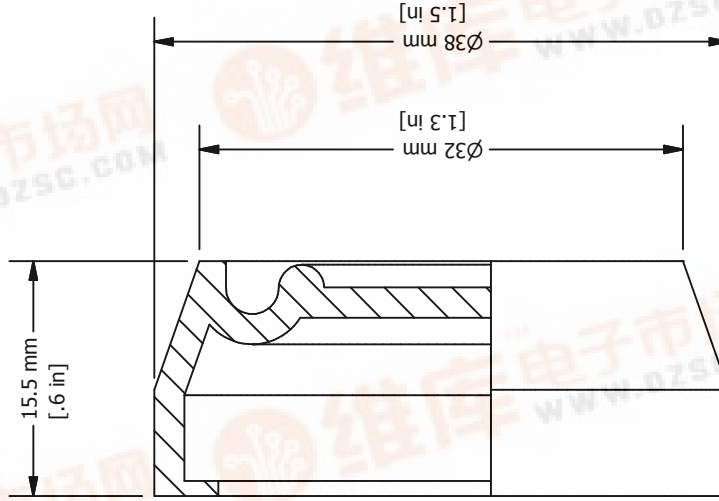
REVISION FOR DWG # 1PB-BTx

REV	CH.NO.	DESCRIPTION	DATE	REVISED BY
-	-	ORIGINAL DESIGN	11/21/2007	PHILIPP E.

[查询BT3供应商](#)

[捷多邦, 专业PCB打样工厂, 24小时加急出货](#)

Color	Cat. No.
White	BT1
Black	BT2
Green	BT3
Red	BT4
Blue	BT6
Yellow	BT8



TITLE 30 mm Rubber Boots BTx (x=color)

AND IS A CONFIDENTIAL DISCLOSURE WITHOUT CONSIDERATION OTHER THAN THE BORROWER'S AGREEMENT THAT IT SHALL NOT BE REPRODUCED, COPIED, LENT OR DISPOSED OF DIRECTLY OR INDIRECTLY NOR USED FOR ANY PURPOSE OTHER THAN THAT FOR WHICH IT IS SPECIFICALLY FURNISHED.

This Drawing is the property of **Altech Corp.**  
 35 Royal Road  
 Flemington, NJ 08822-6000  
 (908) 806-9400  
 Fax (908) 806-9490

**METRIC**

TOLERANCE	= +1 mm
X	= +0.5 mm
.XX	= ±0.2 mm
L	= - mm

DRAWN BY: Philipp Ernstberger	11/21/2007	DRAWING NO.:	1PB-BTx	REV.:	-
CHECKED BY: Laszlo Gyorgypal	11/21/2007	SCALE:	-	SHEET: 1	OF: 1
RELEASED BY: Laszlo Gyorgypal	11/21/2007				