

SFP Copper Transceiver 1000Base-T GBIC
SFP-1GBT-06

FEATURES / BENEFITS

- Designed with Broadcom’s BCM54616S chipset (login at <https://support.broadcom.com/Core/Login.aspx> for IC support)
- Complies with IEEE 802.3, 802.3u, and 802.3ab specifications
- Conforms to Multi-Source Agreement (MSA) specifications for SFP transceivers
- Supports IEEE 802.3u and IEEE 802.3ab auto–negotiation features to allow networking equipment to automatically determine and adjust the required settings
- Operates in extended temperature range of -40° to +85° C
- Automatically compensates for baseline wander by removing the DC offset from the input signal
- Assembled with low EMI emissions IC and fully metallic housings
- Automatic dependent interface (DI) crossover, eliminating the need for crossover cables or cross-wire (MDIX) ports
- Bail latch provides ease of extraction
- Compact RJ45 connector assembly
- Data is scrambled to reduce radiated emission
- Power consumption is 610mW typical
- Fully RoHS compliant
- The BCM54616S physical layer IC (PHY) can be accessed via I²C interface:
 - PHY address = “ACh”
 - EEPROM address = “A0h”



Part Number	Description
SFP-1GBT-06	1000Base-X to 1000Base-T SFP

The Bel SFP-1GBT-06 transceiver is an internally configured 1000Base-T SFP that requires the host system to provide GBIC interface. The PHY interfaces directly with SerDes interface. The host interface transmits and receives serial data differentially at 1.25 Gbps. The copper interface is full featured as advertised full/half duplex and 1000Base-T wire speed.

- SFP Transceiver identification is specified as “08h” for byte 6 in the EEPROM.

REGULATORY AND STANDARDS COMPLIANCE

- Compliant with IEEE 802.3:2000
- FCC Part 15, Class A
- EN55022 Class A (CISPR 22 Class A)
- CE
- E55024 Immunity standard and NEBS 3 ESD

APPLICATIONS

- 1000 Mbps data rate in excess of 100 meters of Category 5/5e cable
- Industrial temperature environments -40° to +85° C
- Networking equipment
- Switch-to-switch interface
- Routers

©2013 Bel Fuse Inc. Specifications subject to change without notice. 21.10.13



**SFP Copper Transceiver 1000Base-T GBIC
SFP-1GBT-06**

RELIABILITY TESTING

Vibration Test: Reference MIL-STD-202, Method 204. Condition D.

Mechanical Shock: Reference IEC 68-2-27, Test Ea. Alternative MIL-STD-202, Method 213B, Condition A.

Temperature cycling and temperature-humidity-bias.



SFP-1BGT-02 MODULE SPECIFICATIONS

Parameter	Symbol	Min	Typ	Max	Units	Notes
Supply Voltage	V _{DD3}	3.12	3.3	3.46	V	
Supply Current	I _S		185		mA	

SFP Host Serial Interface (TX/RX)	Symbol	Min	Typ	Max	Units	Notes
Line Frequency	F _{LINE}		125		MHz	
TX Output Impedance	Z _{TX_OUT}		100		Ω	Differential
RX Output Impedance	Z _{RX_IN}		100		Ω	Differential
Clock Frequency			25		MHz	
Rise/Fall Time	T _R /T _F		4		ns	20% - 80%
RMS Phase Jitter	F _J			1.5	ps-rms	F _J = 12 kHz to 20 MHz offset frequency.

Environmental Specifications	Symbol	Min	Typ	Max	Units	Notes
Operating Temp	T _{OP}	-40		+85	°C	Case temperature
Storage Temp	T _{STG}	-40		+85	°C	Ambient temperature

SFP Copper Transceiver 1000Base-T GBIC
SFP-1GBT-06



SFP HOST CONNECT ELECTRICAL INTERFACE AND PINS DESCRIPTIONS

Pin	Name	Description
1	VeeT	Transmitter ground (common with receiver ground).
2	TX Fault	Transmitter fault is internally tied to transmit ground and is not supported.
3	TX Disable	Transmit disable. This pin is tied to PHY low power mode.
4	MOD-DEF2	Signal SDA (data) of the two-wire serial ID interface.
5	MOD-DEF1	Signal SCL (clock) of the two-wire serial ID interface.
6	MOD-DEF0	This pin is internally tied to transmit ground.
7	Rate Select	Not implemented. This pin is floating internally.
8	LOS	Loss of signal indication.
9	VeeR	Receiver ground (common with transmitter ground).
10	VeeR	Receiver ground (common with transmitter ground).
11	VeeR	Receiver ground (common with transmitter ground).
12	RD-	Differential receiver outputs. User to terminate to 100 Ω differential at host. AC coupled.
13	RD+	Differential receiver outputs. User to terminate to 100 Ω differential at host. AC coupled.
14	VeeR	Receiver ground (common with transmitter ground).
15	VccR	3.3V power
16	VccT	3.3V power
17	VeeT	Transmitter ground (common with receiver ground).
18	TD+	Differential transmitter outputs. User to terminate to 100 Ω differential at host. AC coupled.
19	TD-	User to terminate to 100 Ω differential at host. AC coupled.
20	VeeT	Transmitter ground (common with receiver ground).

©2013 Bel Fuse Inc. Specifications subject to change without notice. 21.10.13



SFP Copper Transceiver 1000Base-T GBIC SFP-1GBT-06

GBIC INSTALLATION GUIDE

Part Number	Link Indicator on Rx_LOS Pin	Auto-Negotiation enabled by default	Interface
SFP-1GBT-06	Yes	Yes	GBIC 1000Base-X to 1000Base-T

- **Rx_LOS** is always ENABLE.
 - High → Not linked.
 - Low → Linked to link-partner.
- Customer's **MAC** should be setup for **GBIC interface with Auto-Negotiation**. There is no need for accessing the PHY registers of the Broadcom PHY of the SFP-1GBT-06 Transceiver.
- Bel's Copper SFP-1GBT-06 Transceiver will automatically detect the 1000Base-X Fiber Mode via the host of the link-partner.
 - Default is 1000Base-T (Full-Duplex or Half-Duplex).

GBIC to SGMII-Copper:

- If the SGMII Interface is required, Bel would recommend the SFP-1GBT-05 Transceiver for installation.
- However, SFP-1GBT-06 Transceiver can also be configured to operate in SGMII (10/100/1000Base-T) interface by accessing the Broadcom PHY registers via "**0xAC**":
 1. Write register 18h, shadow 07h bit [7] = 0 (Disable RGMII Mode)
 2. Write register 1Ch, shadow 1Fh bit [0] = 1 (Enable Fiber register bank)
 3. Write register 00h, bit [11] = 1 (Power-down SerDes interface)
 4. Write register 1Ch, shadow 1Fh bit [2:1] = 10 (Configure the BCM54616S in SGMII-to-Copper mode)
 5. Write register 00h, bit [11] = 0 (Power-up SerDes interface)
 6. Write register 1Ch, shadow 1Fh bit [0] = 0 (Enable Copper register bank)
 7. Write register 00h, bit [11]= 0 (Power-up Copper interface)

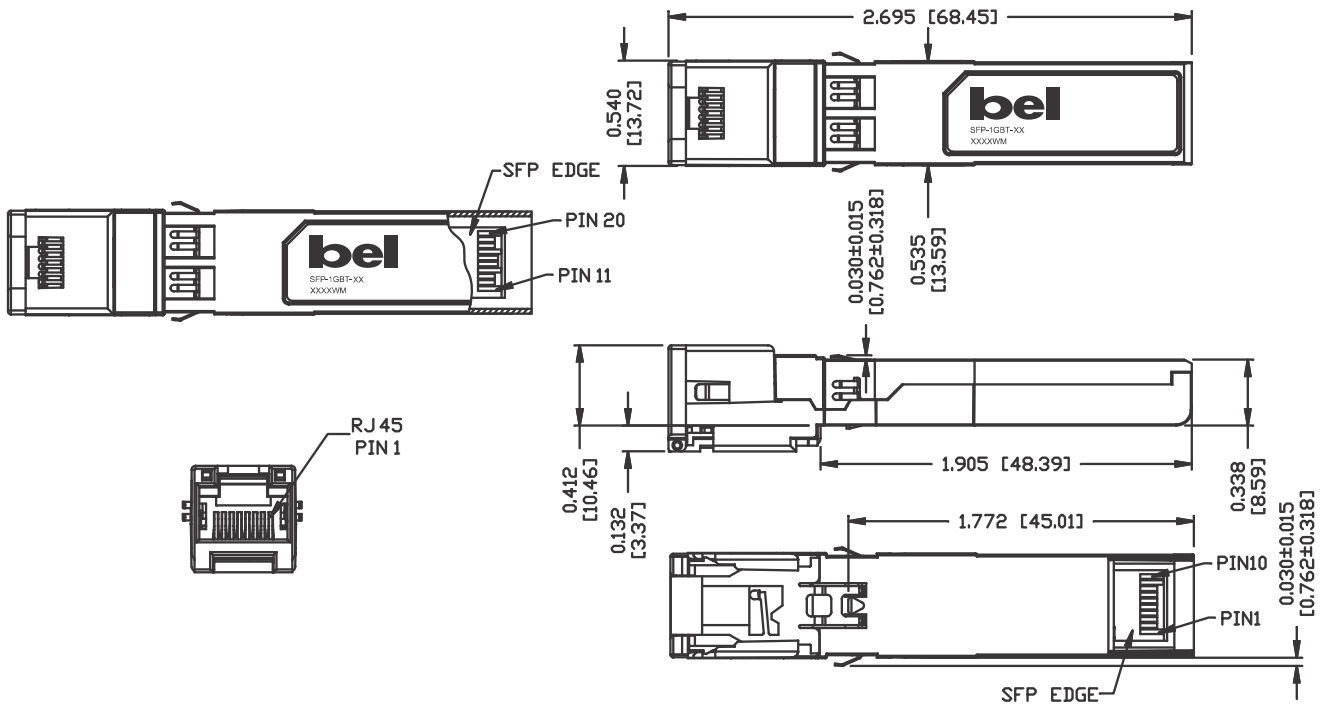
MAC Auto-Negotiation vs. MAC without Auto-Negotiation:

In case of MAC does not have Auto-Negotiation capability, the Auto-Negotiation of the SFP-1GBT-06 can also be disabled by clear the Broadcom PHY register bit12 to "0", then attempt to install the Bel's SFP Transceiver.

SFP Copper Transceiver 1000Base-T GBIC
SFP-1GBT-06



MECHANICAL



©2013 Bel Fuse Inc. Specifications subject to change without notice. 21.10.13

CORPORATE

Bel Fuse Inc.
 206 Van Vorst Street
 Jersey City, NJ 07302
 Tel 201-432-0463
 Fax 201-432-9542
 www.belfuse.com

ASIA

Bel Fuse Ltd.
 8F / 8 Luk Hop Street
 San Po Kong
 Kowloon, Hong Kong
 Tel 852-2328-5515
 Fax 852-2352-3706
 www.belfuse.com

EUROPE

Bel Integrated Modules.
 28 Turkey Court
 Turkey Mill, Ashford Road
 Maidstone ME14 5PP
 United Kingdom
 Tel 44-1622-757-395
 Fax 44-1622-663-252
 www.belfuse.com