

# Technical Data - Series DV6300

## 172 Ø x 51 mm (6.77 x 2 in) - S-Force



### Highlights:

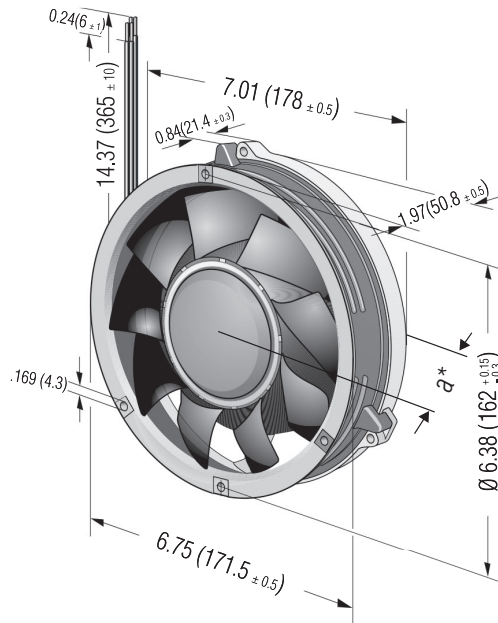
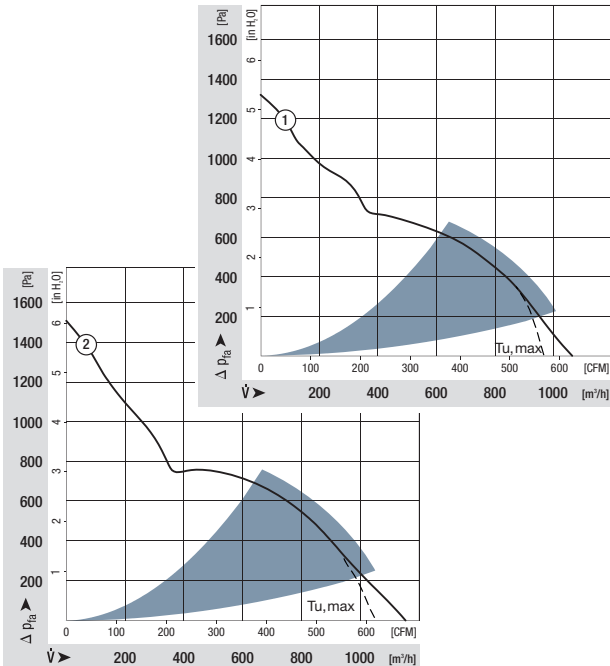
- 3-phase fan drive with high degree of running smoothness
- Very rigid compression curve for high air flow at high back pressure.
- Low operating sound level at high back pressure.
- Standard with PWM control input and speed signal.
- Additional control inputs, alarm and speed signals available on request.

### General characteristics:

- Material: aluminum housing, fiberglass-reinforced PBT impeller; housing with grounding lug M4 x 8 (Torx).
- Protected against reverse polarity and locking.
- Connection via single strands AWG 18, UL3266 / AWG22, UL1061 bared and tin-plated.
- Air exhaust over struts. Direction of rotation counter-clockwise, seen on rotor.
- Mass: 33.8 oz; 960 g.

Nominal data	Air flow		Nominal voltage	Voltage range	Sound pressure level	Sound power level	Sinter sleeve bearings Ball bearings	Power input	Nominal speed	Temperature range	Service life L <sub>10</sub> (40 °C) ebm-papst Standard	Service life L <sub>10</sub> (T <sub>max</sub> ) ebm-papst Standard	Life expectancy L <sub>10</sub> Δ (40 °C)	Curve	Rotor protrusion	UL and VDE Approval
	m <sup>3</sup> /h	CFM														
DV 6318 /2TDH4P	1050	617	48	36...72	tbd	8.7	■	300	6 500	-20...+65	62 500 / 35 000	125 000	1		Yes	
DV 6318 /2TDH5P	1100	647	48	36...72	tbd	9.2	■	390	6 800	-20...+65	60 000 / 32 500	115 000	2	3	Yes	

Speed control range from 1000 RPM up to maximum nominal speed. Stationary at 0 % PWM, maximum speed at sensor break.



\*DV6318/2TDH5P has a 3mm rotor protrusion

	a
DV6318/2TDH4P	1.97 (50.8 ± 0.5)
DV6318/2TDH5P	2.12 (53.8 ± 0.5)