



LS95

NEW



- Ultra-compact and thin switch achieving good tactile feeling and a long service life
- Offering high reliability with the built-in actuator



1.75 x 2.80 x 0.53 mm

●特徴/ Features

- 1.超小型・薄型、高フィーリング/ Ultra small and thin, Good tactile feeling
- 2.防水、リフロー半田対応/ Waterproof, Reflow soldering
- 3.アクチュエーター付き/ With actuator

●用途/ Applications

携帯端末/Cellular phones
各種AV機器/ Various kinds of audio visual instruments

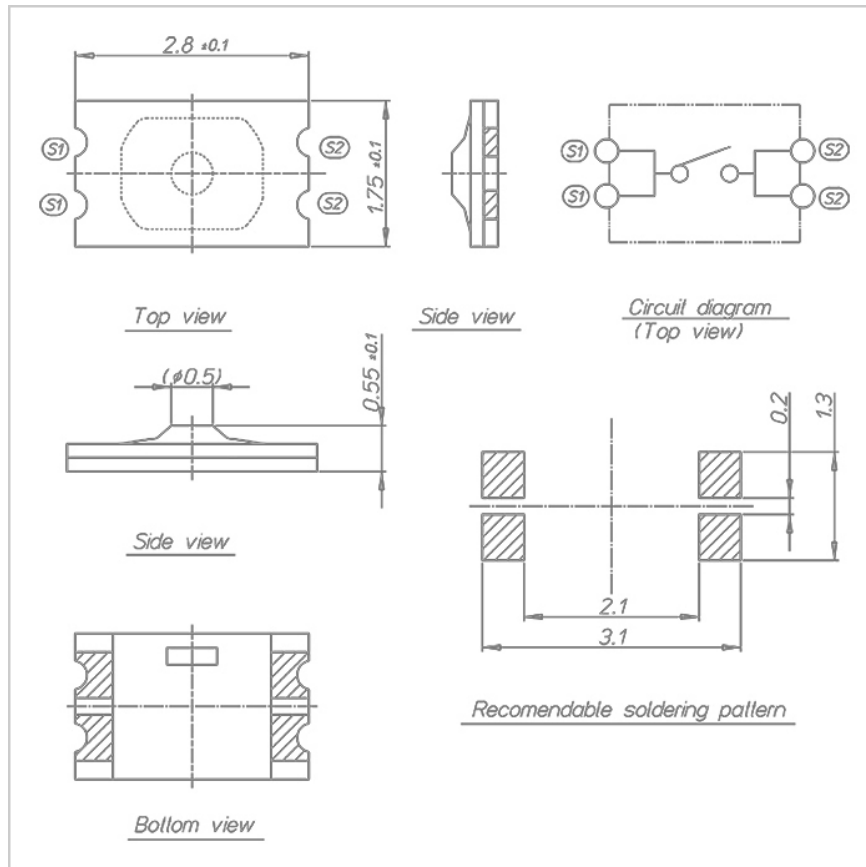
●電氣的、機械的特性/ Electrical and Mechanical Characteristics

項目 / Item	仕様 / Spec
最大定格 / Maximum rating	DC12V 20mA
接続抵抗 / Contact resistance	100mΩ以下/100 mΩ or less
絶縁抵抗 / Insulation resistance	100MΩ以上/100 MΩ or more
耐電圧 / Withstanding voltage	AC250V 1分間/AC 250 V for one minute
バウンス / Bounce	20ms以下/20 ms or less

ストローク / Stroke	0.12mm
スイッチ作動力 / Switch operating force	1.57N
スイッチ高さ / Height of switch	0.55mm
動作寿命 / Operating life (times)	50万回以上/500,000 or more

※性能、仕様は改良のため予告なく変更することがあります。/ Specifications are subject to change for improvement without advance notice

●外形寸法図/ Outline drawing



*Please contact us regarding the possibility of mass production of models, as it differs depending on the operating force.

Corporate Profile

- Message from CEO
- About Us
- Corporate Philosophy
- Corporate Data
- Board of Directors
- Office Directory
- History
- Major Customers
- PDF Download

Products

- Lighting LED
- Compact Chip LED
- Tactile switch
- High-sensitivity Optical Sensor
- News List

CSR

- CSR VISION
- Relations with Society
- Environment Activities

Information

- Information

© 2015 CITIZEN ELECTRONICS CO., LTD. All Rights reserved.