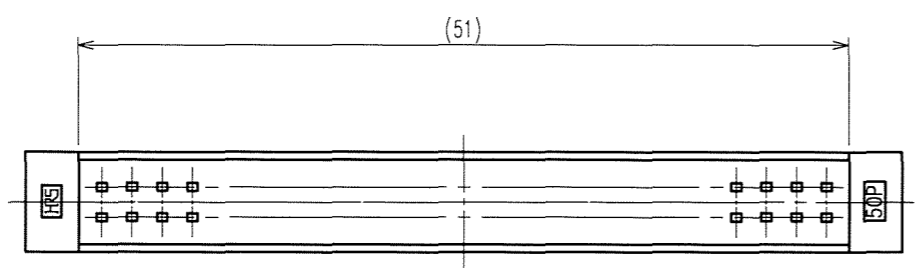
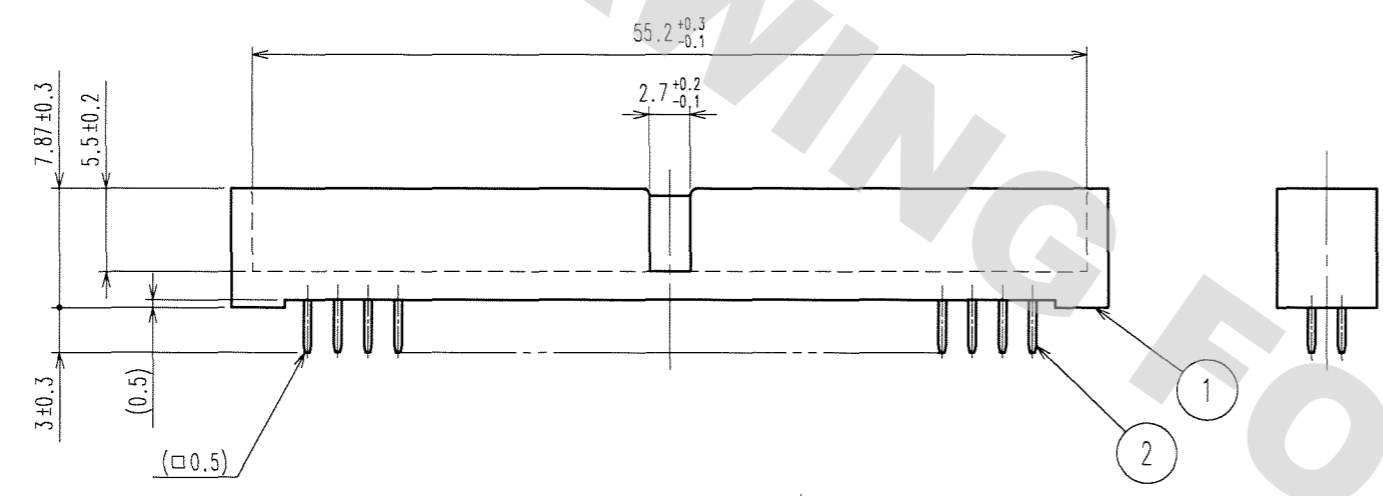
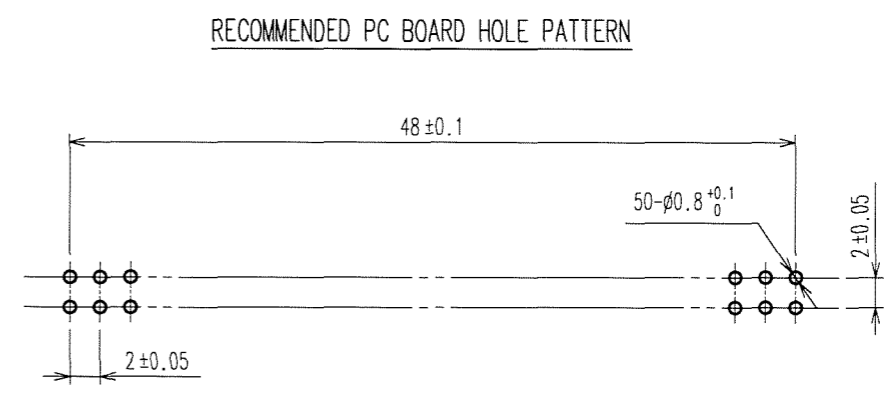
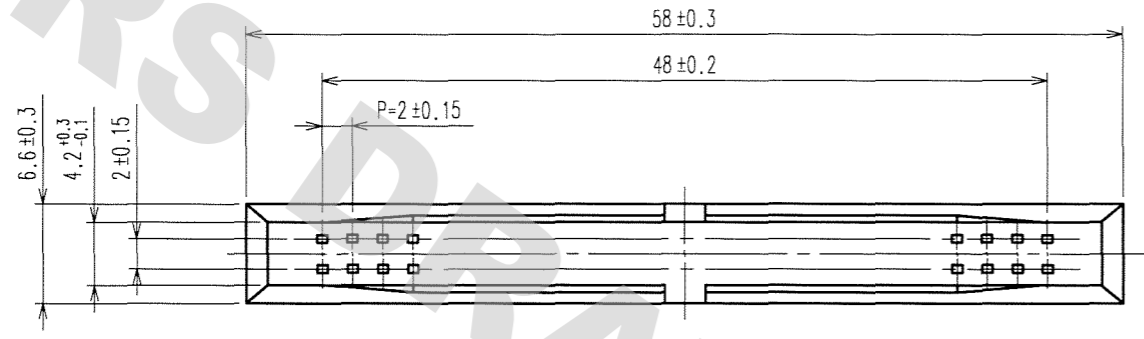


DRAWING FOR REFERENCE: This is subject to change without notice  
08/11/2012

TO
PCK

COUNT	DESCRIPTION OF REVISIONS	BY	CHKD	DATE	COUNT	DESCRIPTION OF REVISIONS	BY	CHKD	DATE
△				..	△				..
△				..	△				..
△				..	△				..



NOTE 1 THE DIMENSIONS IN PARENTHESES ARE FOR REFERENCE.

1	POLYAMIDE	BLACK	UL94V-0	2	BRASS	CONTACT AREA: GOLD 0.2μm min. MOUNTING AREA: TIN-PLATING 2μm min. UNDER PLATING: NICKEL 2.5μm min.	
NO.	MATERIAL	FINISH, REMARKS	NO.	MATERIAL	FINISH, REMARKS		
CODE NO. (OLD) CL			DRAWN A. SUZUKAWA '06.11.30	DESIGNED <i>A. Nakamura</i> '06.11.30	CHECKED <i>K. Ogawa</i> '06.12.01	APPROVED <i>H. Okawa</i> '06.12.01	RELEASED ..
SCALE 2 : 1		DRAWING NO. EDC3-082357-21		PART NO. A3E-50PA-2DSA(71)			
UNITS mm		HRS HIROSE ELECTRIC CO., LTD		CODE NO. CL621-0914-6-71			1/1

