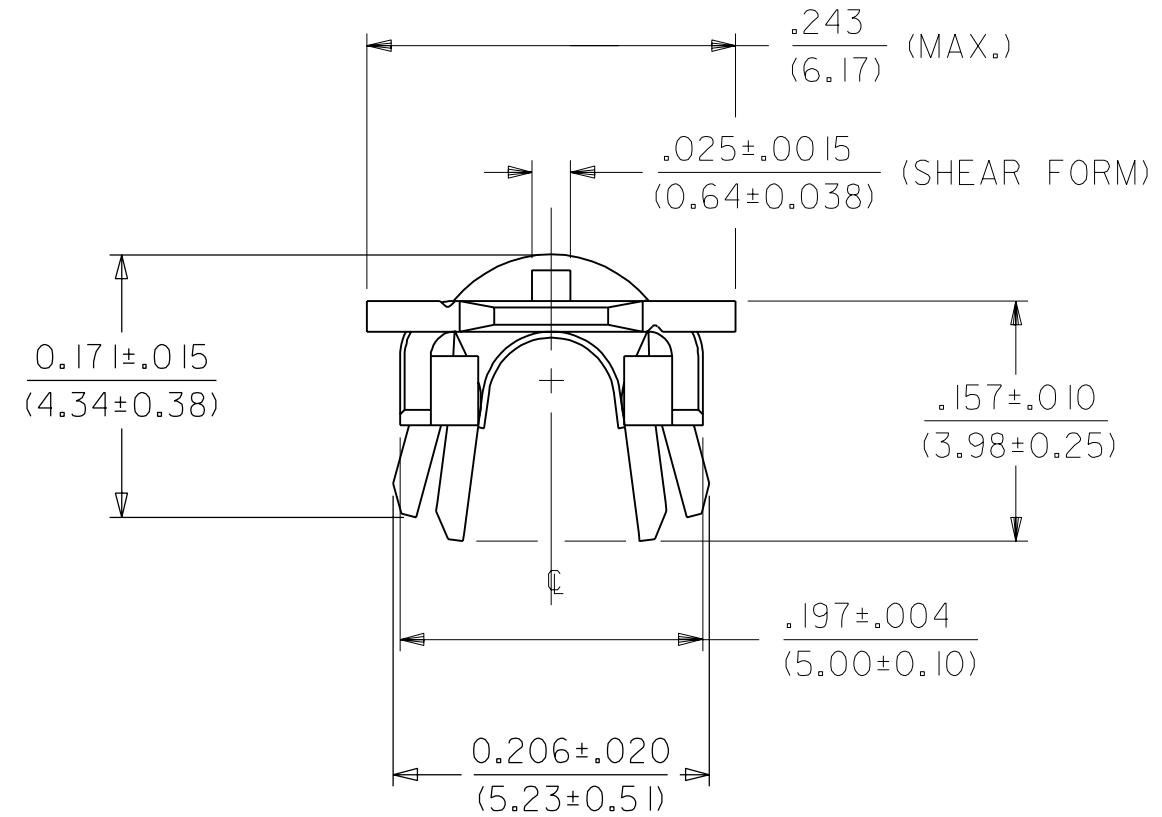
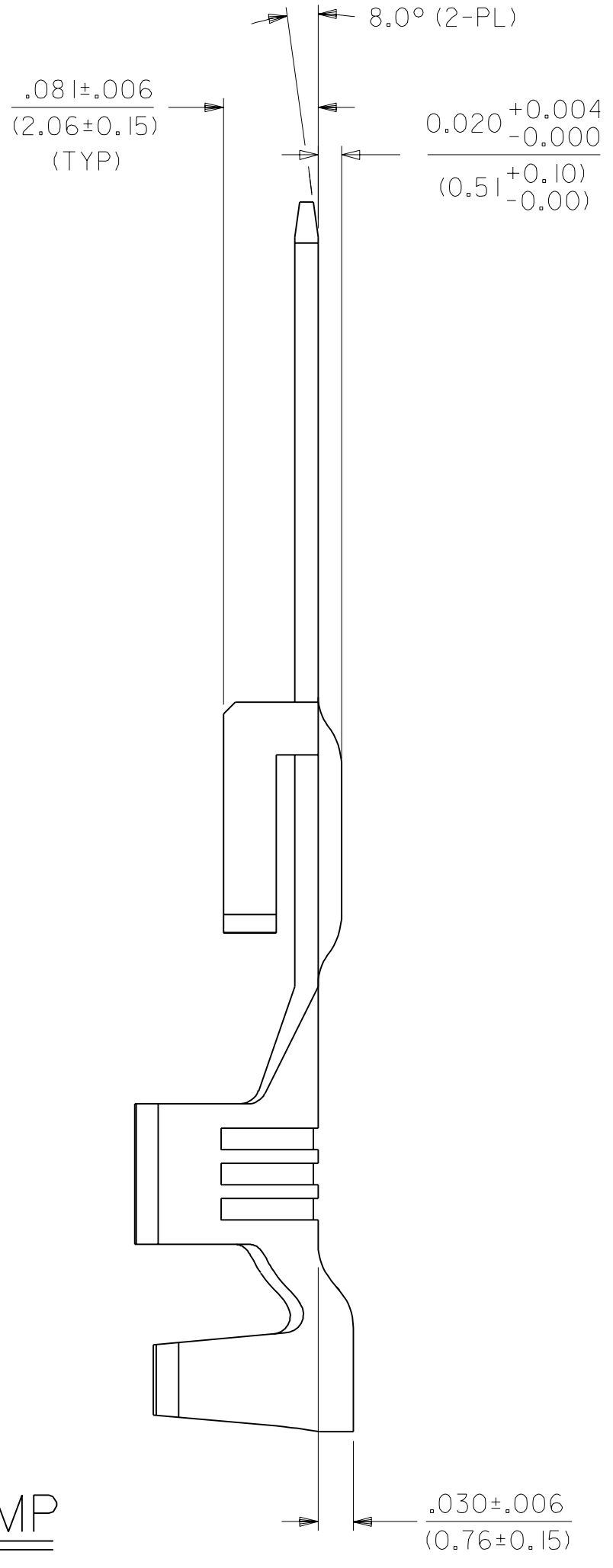
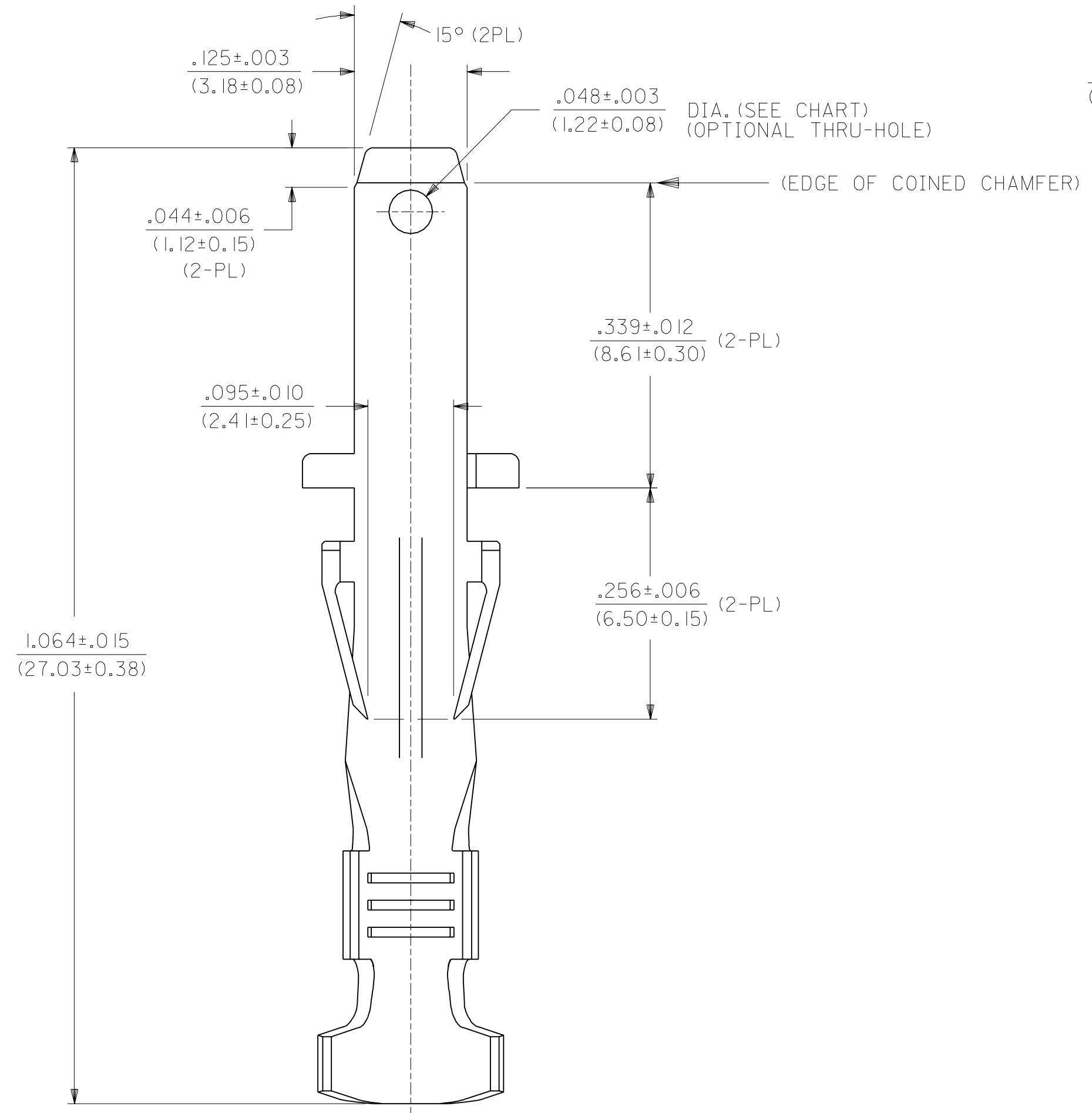


MATERIAL NUMBER	FINISH	HOLE
43178-1001	999	NOT USED
43178-1002	H901	NOT USED
43178-1003	F542	NOT USED



### NOTES

- MATERIAL: BRASS
- FINISH:  
 999 - UNPLATED  
 H901 - 20 MICROINCH MIN. HOT TIN DIP  
 F542 - 15 MICROINCH MIN. SELECT GOLD IN CONTACT AREA, 50 MICROINCH TIN-LEAD IN CRIMP AREA, NICKEL UNDERPLATE OVERALL.
- PRODUCT SPECIFICATION : PSX-44441-9999.
- TERMINAL FOR USE WITH A SINGLE #18 AWG UL TYPE 1015 WIRE, HAVING A MAXIMUM INSULATION DIAMETER OF .130/(3.30).



### SMALL INSULATION CRIMP

D1	REVISED EC*UCR2002-1132 6/27/02 BW
D	UPDATE NOTES UCR 2002-0428 BW 11/1/01
C1	REVISED PER UCR1999-0893 PELOZA 99/06/29
C	REVISED PER UCR1999-0605 PELOZA 99/03/16
B	REVISED PER UCR1999-0340 98/12/07 LENZ
A3	REVISED PER ECN# U70921 MARANTO 97/02/07
A2	REVISED PER ECN# U70225 MARANTO 96/08/28
A1	REVISED PER ECN# U60034 95/07/24 MAB
A	REMOVE "X" PER ECN# U51254 95/06/19 KBP
3	REVISED PER ECN# U50640 95/01/03
2	REVISED PER ECN# U50270 94/09/21 MAB
1	"X" RELEASE PER ECN# U31563 94/10/24 KBP

DIMENSIONS SHOWN (METRIC) INCH		▽ = 0 ▼ = 0		REVISE ONLY ON CAD SYSTEM	
UNLESS OTHERWISE SPECIFIED TOLERANCES: ANGULAR ± 1/2°					
INCH		METRIC		TITLE	
3 PLACE	± ---	---	---	TERMINAL, CRIMP, MALE TAB	
2 PLACE	± ---	± ---	---	.125/(3.18) X .020/(0.51)	
1 PLACE	---	± ---	---	SABRE - F.B.S. - T.P.A.	
DRAFT WHERE APPLICABLE MUST REMAIN WITHIN DIMENSIONS				MOLEX INCORPORATED	
DRWG. NO. SD-43178-1***		SHEET NO. 1 OF 1		DATE 94/10/24	
DRWG. BY: KBP	CHK'D. BY: KBP	FILE NAME: ET43178X5 DGN	SCALE: 8:1	THIS DRAWING CONTAINS INFORMATION THAT IS PROPRIETARY TO MOLEX INC. AND SHOULD NOT BE USED WITHOUT WRITTEN PERMISSION.	
APP'D. BY: RAS	SCALE: 8:1	DIV. CO		SIZE C	