

10 9 8 7 6 5 4 3 2 1

F

F

E

E

D

D

C

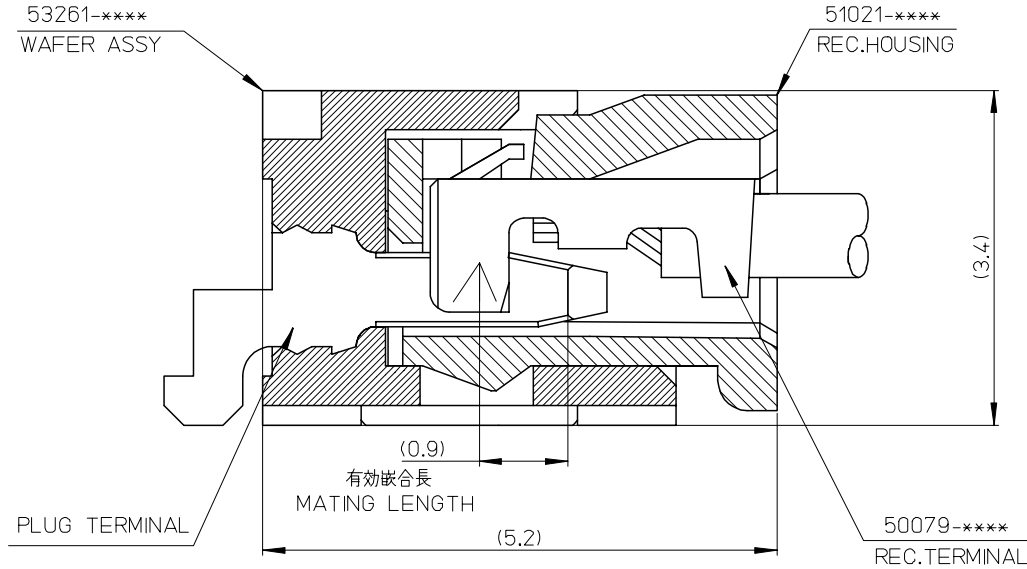
C

B

B

A

A



53261-****	WAFER ASSY	MODEL NO./MATERIAL NO.
50079-****	TERMINAL	
51021-****	HOUSING	

RELEASED EC NO: J2006-2426 DRWN: A0YAGI 2006/02/02 CHKD: YMAEDA 2006/02/03 APPR: NUKITA 2006/02/07	GENERAL TOLERANCES (UNLESS SPECIFIED)		DIMENSION STYLE MM ONLY		SCALE ---	DESIGN UNITS METRIC	THIRD ANGLE PROJECTION	
	10 UNDER	± ---	DRAWN BY Y. A0YAGI	DATE 2006/01/30	TITLE 1.25 W-TO-B CONN. 51021,53261 MATING CROSS SECTION			
	10 OVER 30 UNDER	± ---	CHECKED BY Y. MAEDA	DATE 2006/01/30	MOLEX INCORPORATED			
	30 OVER	± ---	APPROVED BY N. UKITA	DATE 2006/01/30	DOCUMENT NO. SD-51021-002			
	ANGULAR	± --- °	MATERIAL NO. SEE CHART		SHEET NO. 1 OF 1			
0	DRAFT WHERE APPLICABLE MUST REMAIN WITHIN DIMENSIONS		SIZE A3		THIS DRAWING CONTAINS INFORMATION THAT IS PROPRIETARY TO MOLEX INCORPORATED AND SHOULD NOT BE USED WITHOUT WRITTEN PERMISSION			

9

8

7

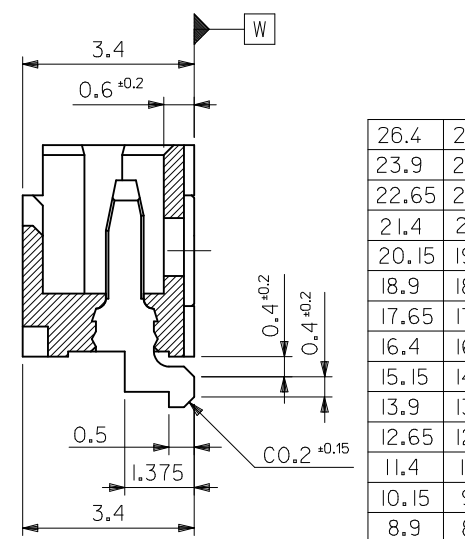
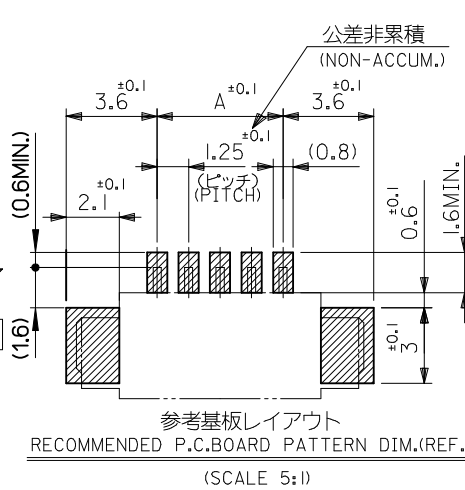
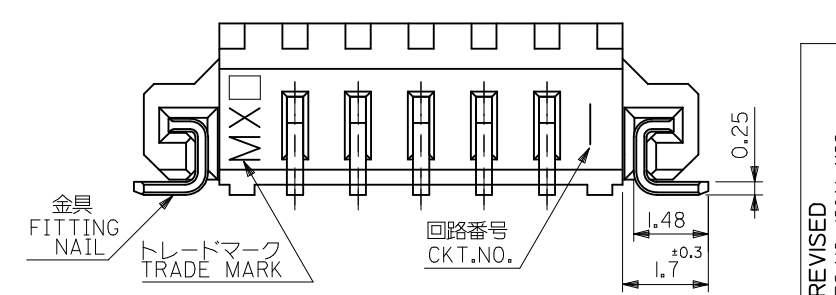
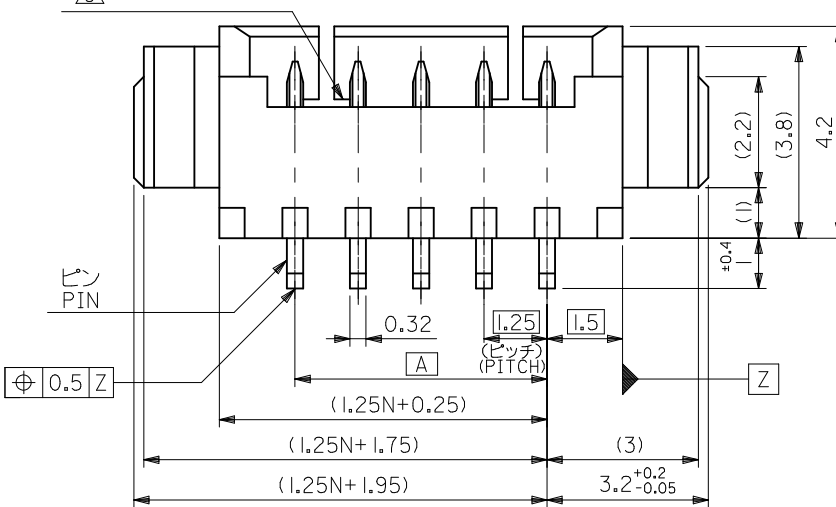
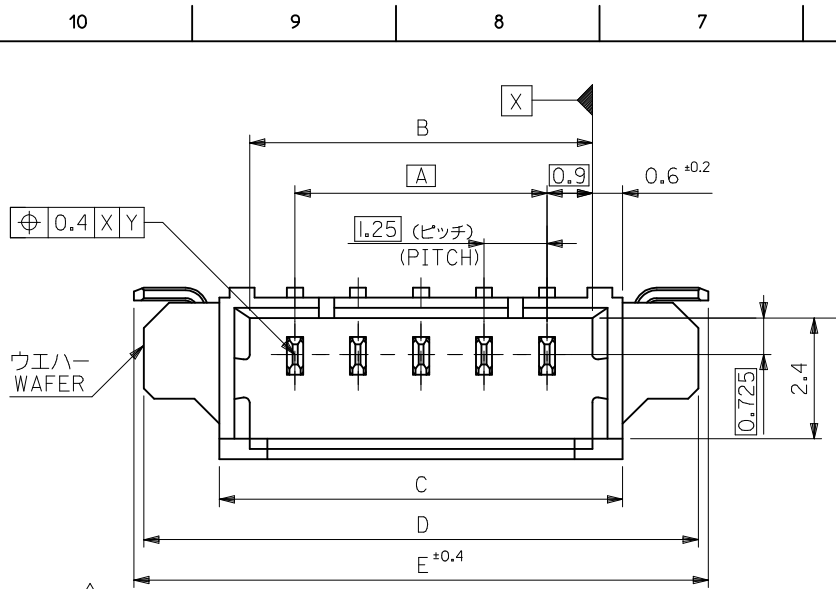
6

5

4

3

2



注記 NOTES

- 嵌合相手: 51021 シリーズ
MATES WITH: 51021 SERIES
- 材質 MATERIAL
ウエハー: NYLON46, UL94V-0
ピン: リン青銅
: PHOS-BRO
: 銅メッキ 1.0 マイクロメートル以上
: TIN 1.0 MICROMETER MINIMUM
: ニッケル下地 1.0 マイクロメートル以上
: NICKEL (UNDER PLATING) 1.0 MICROMETER MINIMUM
金具
FITTING NAIL: リン青銅
: PHOS-BRO
: 銅メッキ 1.0 マイクロメートル以上
: TIN 1.0 MICROMETER MINIMUM
: ニッケル下地 1.0 マイクロメートル以上
: NICKEL (UNDER PLATING) 1.0 MICROMETER MINIMUM
- ロック窓は2, 3極は1箇所, 4極以上は2箇所とする。
LOCKING WINDOW: ONE PLACE FOR 2 AND 3 CKT. AND TWO PLACES FOR MORE THAN 3 CKT.
- ソリダール部のスレ量及び金具(補強板)のスレ量は基準面 W に対し、上方向 0.05MAX.、下方向に 0.1 MAX. とする。
OFFSET BETWEEN BASIS PLANE W TO SOLDER TAIL BOTTOM AND FITTING NAIL BOTTOM:
UPPER SIDE: 0.05MAX.
LOWER SIDE: 0.1MAX.
- 本製品は 53261-**-10 の鉛フリー品である。
THIS PRODUCT IS LEAD FREE OF 53261-**10
- ELV及びRoHS適合品
ELV AND RoHS COMPLIANT.
- ソルダーテール及び金具の平坦度は0.1以下。
SOLDER TAIL & FITTING NAIL COPLANARITY TO BE 0.1 MAX.

26.4	26	23	21.8	20	53261-1771	53261-1719	17
23.9	23.5	20.5	19.3	17.5	-1571	-1519	15
22.65	22.25	19.25	18.05	16.25	-1471	-1419	14
21.4	21	18	16.8	15	-1371	-1319	13
20.15	19.75	16.75	15.55	13.75	-1271	-1219	12
18.9	18.5	15.5	14.3	12.5	-1171	-1119	11
17.65	17.25	14.25	13.05	11.25	-1071	-1019	10
16.4	16	13	11.8	10	-0971	-0919	9
15.15	14.75	11.75	10.55	8.75	-0871	-0819	8
13.9	13.5	10.5	9.3	7.5	-0771	-0719	7
12.65	12.25	9.25	8.05	6.25	-0671	-0619	6
11.4	11	8	6.8	5	-0571	-0519	5
10.15	9.75	6.75	5.55	3.75	-0471	-0419	4
8.9	8.5	5.5	4.3	2.5	-0371	-0319	3

REVISED EC NO: J2016-1122 2016/04/26
DRWN: QHEJ1 2016/05/06
CHKD: SAKIYAMA 2016/05/06
APPR: IKANEKO 2016/05/06

GENERAL TOLERANCES (UNLESS SPECIFIED)

0.25 UNDER	UNDER	±0.03
0.25 OVER	0.5 UNDER	±0.05
0.5 OVER	1.0 UNDER	±0.1
1.0 OVER	10 UNDER	±0.2
10 OVER	30 UNDER	±0.25
30 OVER		±0.3

ANGULAR ±3 °

DRAFT WHERE APPLICABLE MUST REMAIN WITHIN DIMENSIONS

DESCRIPTION

53261-**-19 MODEL NO.

7.65 7.25 4.25 3.05 1.25

53261-0271 53261-0219

EMBOSSED TAPE PKG ORDER No. MATERIAL NO. 極数 CKT.

SCALE 10:1 DESIGN UNITS METRIC THIRD ANGLE PROJECTION

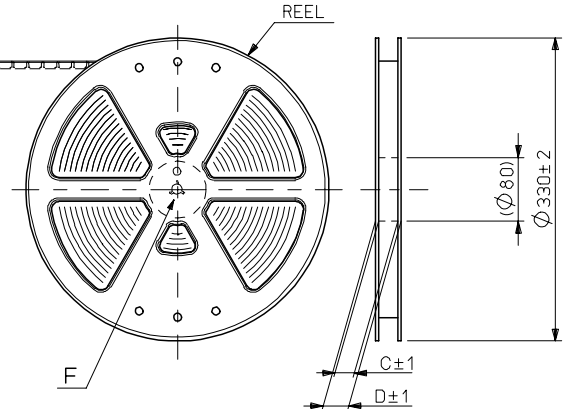
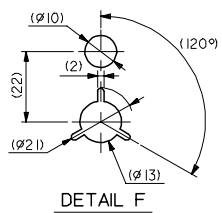
1.25 WIRE TO BOARD WAFER ASS FOR SMT

SEE CHART SD-53261-024

THIS DRAWING CONTAINS INFORMATION THAT IS PROPRIETARY TO MOLEX ELECTRONIC TECHNOLOGIES, LLC AND SHOULD NOT BE USED WITHOUT WRITTEN PERMISSION

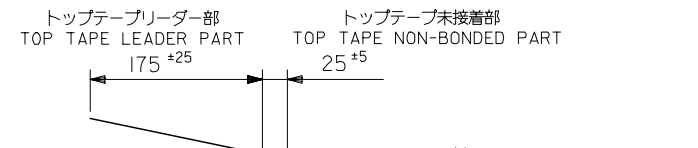
SHEET NO. 1 OF 1

引き出し方向
PULL OUT DIRECTION

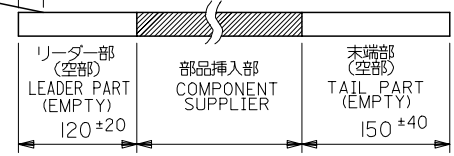


注記
NOTES

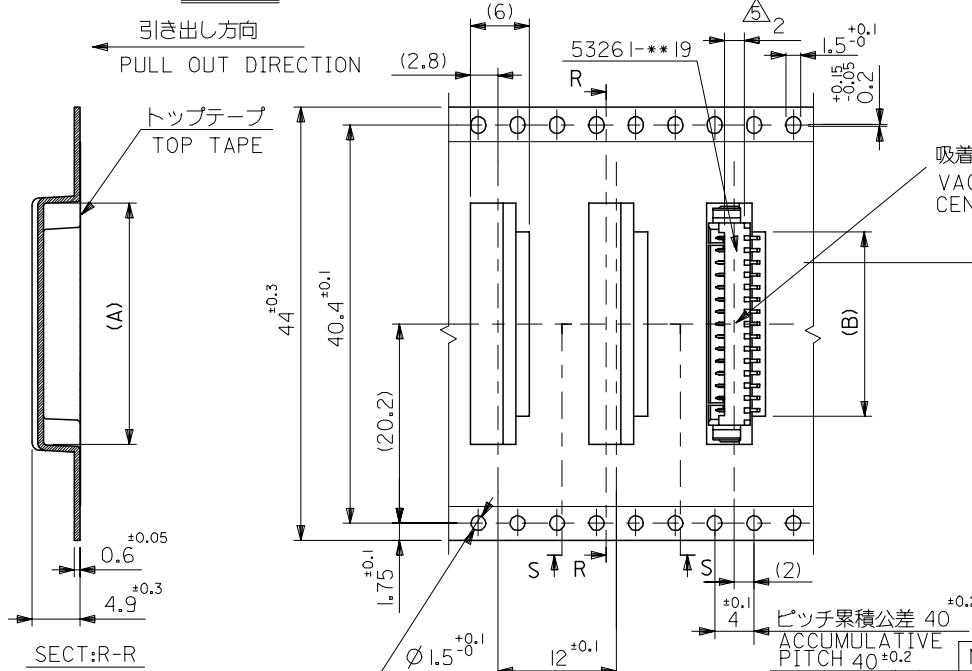
- 53261-**-19 の詳細寸法については図面 SD-53261-024 を参照下さい。
RE DETAILED DIMENSIONS, SEE SD-53261-024
- 梱包数量：1000個/リール
NUMBER OF CONNECTOR: 1000PCS/REEL
- リードテープ長さ LEAD TAPE LENGTH



引き出し方向
PULL OUT DIRECTION

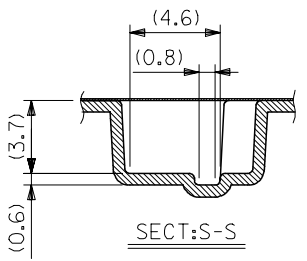


引き出し方向
PULL OUT DIRECTION



吸着ノズル中心位置
VACUUM PENCIL
CENTER LOCATION

- 材料 (MATERIAL)
キャリアテープ (CARRIER TAPE): ポリプロピレン (POLYPROPYLENE)
トップテープ (TOP TAPE): PET, PE, PEF
リール (REEL): ポリスチレン (PS) <リサイクル材含む>
POLYSTYRENE (PS) <RECYCLE MATERIAL CONTAINED>
- コネクタ、ハウジング平面部
CONNECTOR, HOUSING FLAT AREA
- 本製品は、シリカゲル入りポリ袋梱包とする。SPK-53261-002参照。
THIS PRODUCT IS SILICAGEL PACKAGE. SEE SPK-53261-002.
- ELV及びRoHS適合品
ELV AND RoHS COMPLIANT



44mm幅キャリアテープ
44mm WIDTH CARRIER TAPE

44	49.4	45.4	21.2	27.0	53261-1771	17
キャリアテープ幅 CARRIER TAPE WIDTH			D	C	B	A
MODEL NO. 53261-**-71			SCALE ---		DESIGN UNITS METRIC	THIRD ANGLE PROJECTION
GENERAL TOLERANCES (UNLESS SPECIFIED)		DIMENSION STYLE MM ONLY		TITLE 1.25 W/B CONN WAFER ASSY FOR SMT EMBSTP PKG		
10 UNDER	±0.2	DRAWN BY K. SAITO DATE 2007/07/06		MATERIAL NO. 53261-1771 極数 17		
10 OVER 30 UNDER	±0.25	CHECKED BY T. HARUYAMA DATE 2007/07/06				
30 OVER	±0.3	APPROVED BY N. UKITA DATE 2007/07/06		MOLEX INCORPORATED		
ANGULAR	±3 °	MATERIAL NO. SEE TABLE		DOCUMENT NO. SD-53261-048		SHEET NO. 1 OF 1
DRAFT WHERE APPLICABLE MUST REMAIN WITHIN DIMENSIONS		THIS DRAWING CONTAINS INFORMATION THAT IS PROPRIETARY TO MOLEX INCORPORATED AND SHOULD NOT BE USED WITHOUT WRITTEN PERMISSION				