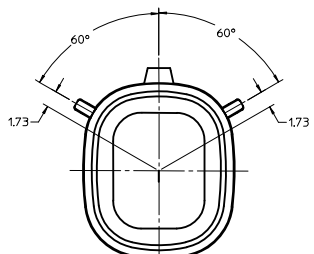
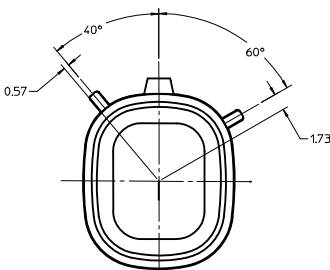


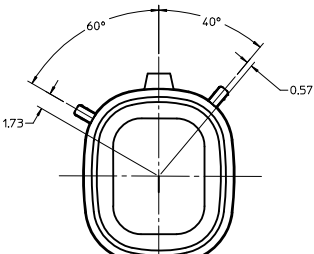
# CUSTOMER SHROUD DESIGN DETAILS



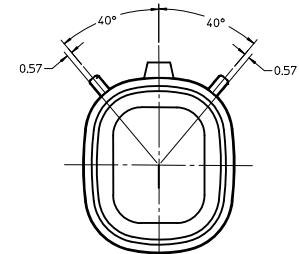
**KEYING OPTION "A"**  
SUGGESTED COLOR: BLACK



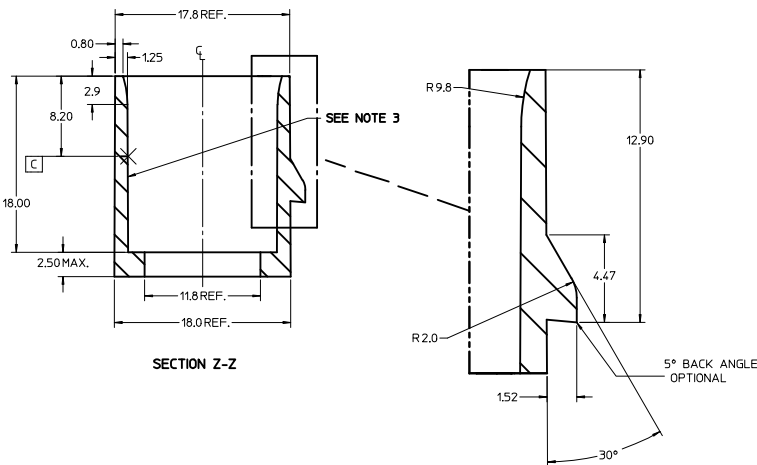
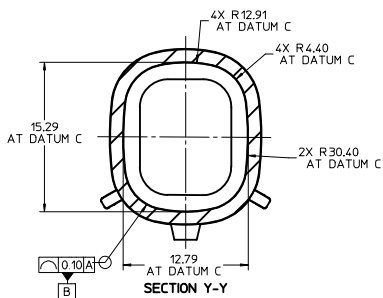
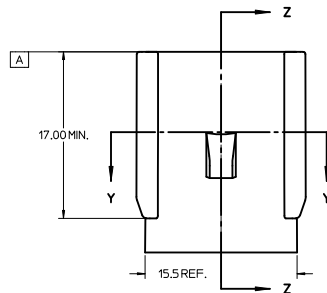
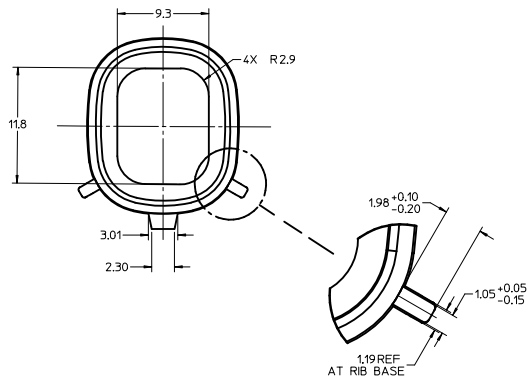
**KEYING OPTION "B"**  
SUGGESTED COLOR: GREY



**KEYING OPTION "C"**  
SUGGESTED COLOR: BROWN



**KEYING OPTION "D"**  
SUGGESTED COLOR: GREEN

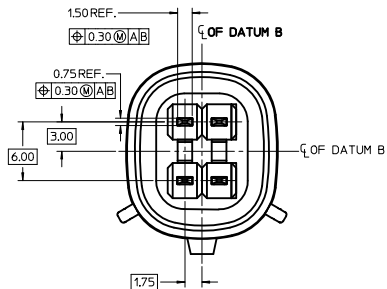


**SECTION Z-Z**

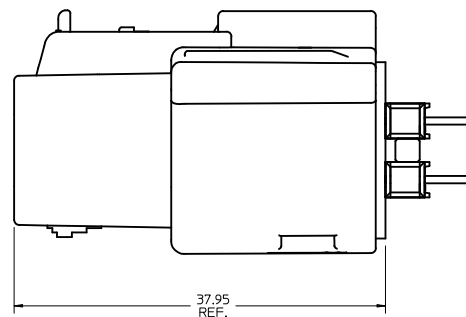
**NOTES:**

1. REFER TO MOLEX SALES DRAWING SD-75757-002 FOR THE HEADER ASSEMBLY PRODUCT DETAILS AND RECOMMENDED PCB LAYOUT.
2. KEYING OPTIONS A-D AND SUGGESTED COLORS COMPLY TO THE POLARIZATION STANDARDS ESTABLISHED FOR MATING WITH A MX150 FEMALE CONNECTOR.
3. INTERIOR SHROUD SURFACE MUST BE FREE OF DEFECTS AND PARTING LINES ALL AROUND TO ENSURE PROPER SEALING OF THE MATING MX150 FEMALE CONNECTOR.
4. A FULL SHROUD ON THE MATING CONNECTOR IS REQUIRED TO INSURE THE HEADER SHROUD POLARIZATION FEATURES (OPTIONS A-D) WILL FUNCTION PROPERLY. THE FULL SHROUD ALSO PREVENTS SCOOP DAMAGE TO THE HEADER CONTACTS.
5. PERMISSIBLE DRAFT ANGLE 0.25° MAXIMUM.
6. RADII ON ALL CORNERS SHOWN SHARP OR ALL UNSPECIFIED RADII 0.25 EXCEPT AS NOTED.
7. DIMENSIONS SHOWN ABOUT A CENTERLINE ARE SYMMETRICAL ABOUT THAT CENTERLINE WITHIN HALF THE SPECIFIED TOLERANCE.

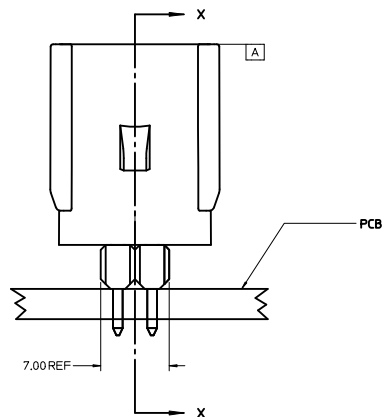
<b>ADDED ASSY VIEW</b> EC NO: UJCP2011-2680 DRAWN BY: DRWNDRSCA CHYD: APPR: JCOMERCL 2011/03/07	<b>QUALITY SYMBOLS</b> ▽=0 ▽=0		<b>GENERAL TOLERANCES (UNLESS SPECIFIED)</b>		<b>DIMENSION STYLE</b> MM ONLY		SCALE 4:1		DESIGN UNITS METRIC		THIRD ANGLE PROJECTION	
	4 PLACES ±---		mm		DATE		DATE		APPLICATION SPEC 2X2 MX150 HEADER SHROUD DETAILS		MOLEX INCORPORATED	
	3 PLACES ±---		INCH		05/08/2006		05/08/2006					
	2 PLACES ±0.01		---		DATE		DATE					
1 PLACE ±0.2		---		DATE		DATE						
ANGULAR ±1/2°		---		DATE		DATE		MATERIAL NO. 75757-2020		DOCUMENT NO. AS-75757-202		
DRAFT WHERE APPLICABLE MUST REMAIN WITHIN DIMENSIONS		---		DATE		DATE		SHEET NO. 1 OF 2		THIS DRAWING CONTAINS INFORMATION THAT IS PROPRIETARY TO MOLEX INCORPORATED AND SHOULD NOT BE USED WITHOUT WRITTEN PERMISSION		



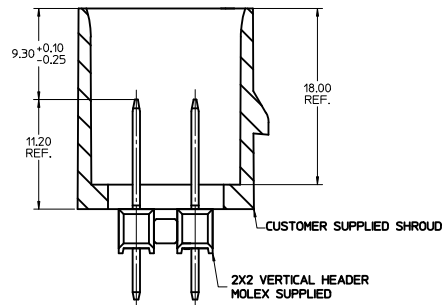
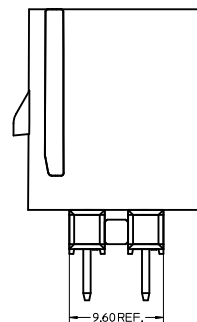
NOTES:  
 1. ADHERENCE TO THE HEADER APPLICATION DETAILS IS IMPERATIVE TO ENSURE PROPER SHROUD SEALING AND CONTACT ALIGNMENT WHEN MATED WITH A MX150 FEMALE CONNECTOR.



CONNECTOR ASSEMBLY

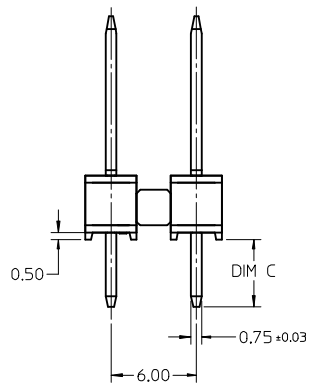
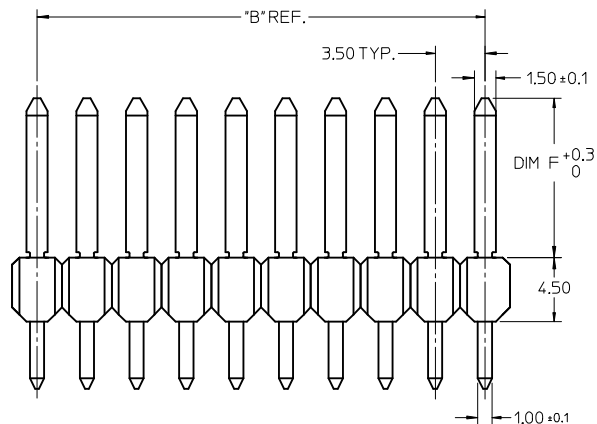
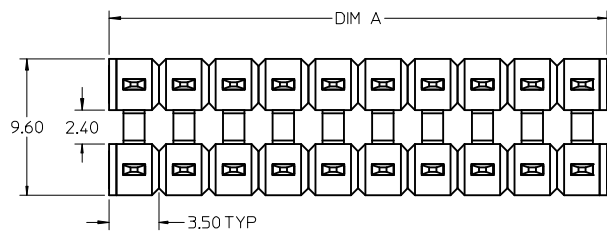


HEADER APPLICATION DETAILS



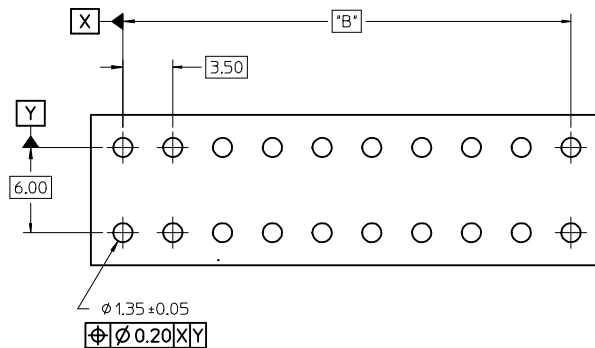
SECTION X-X

SEE SHT 1 IEC NO: UCP2011-2680 DRAWN BY: DRWN:DROSCA CHKD: APPR: JCOMERCL 2011/03/04 2011/03/07	QUALITY SYMBOLS	GENERAL TOLERANCES (UNLESS SPECIFIED)	DIMENSION STYLE	SCALE	DESIGN UNITS	THIRD ANGLE PROJECTION	
	$\nabla=0$	mm INCH	MM ONLY	4:1	METRIC	$\text{Ⓢ}$	
	$\nabla=0$	4 PLACES $\pm$ --- $\pm$ ---	DRAWN BY: JJANTELEZIO	DATE: 05/08/2006	TITLE: APPLICATION SPEC	2X2 MX150 HEADER SHROUD DETAILS	
		3 PLACES $\pm$ --- $\pm$ ---	CHECKED BY: TMCLELL	DATE: 05/08/2006	APPROVED BY: BANAKIS	DATE: 05/08/2006	MOLEX INCORPORATED
	2 PLACES $\pm 0.01$ $\pm$ ---	1 PLACE $\pm 0.2$ $\pm$ ---	ANGULAR $\pm 1/2^\circ$	WATERL NO: 75757-2020	DOCUMENT NO: AS-75757-202	SHEET NO: 2 OF 2	
	DRAFT WHERE APPLICABLE MUST REMAIN WITHIN DIMENSIONS			THIS DRAWING CONTAINS INFORMATION THAT IS PROPRIETARY TO MOLEX INCORPORATED AND SHOULD NOT BE USED WITHOUT WRITTEN PERMISSION			



NOTES:

1. TERMINAL MAT'L: ALLOY C26000, CARTRIDGE BRASS
2. WAFER MAT'L: 30% GLASS FILLED LCP, 94V-0, COLOR BLACK.
3. TERMINAL PLATING:
  - OPTION 4 - 1.5µm MIN MATTE TIN OVERALL OVER 1.25µm NICKEL OVERALL
  - OPTION 1 - 2.5µm MIN MATTE TIN OVERALL OVER 1.25µm NICKEL OVERALL
  - OPTION 2 - 1.25µm NICKEL OVERALL 2.5µm MIN SELECT MATTE TIN PC TAIL AREA 0.05-0.25µm SELECT GOLD CONTACT AREA
  - OPTION 3 - 1.25µm NICKEL OVERALL 2.5µm MIN SELECT MATTE TIN PC TAIL AREA 0.75µm SELECT GOLD CONTACT AREA
4. HEADER ASSEMBLIES ARE TUBE PACKAGED PER PK-36518-340.



RECOMMENDED PCB LAYOUT

<b>PK SPEC UPDATED</b> EC NO: 12016-0115 DRWN: BR02 CHKD: APPR: KPRASAD 2016/05/16 2016/06/03	<b>QUALITY SYMBOLS</b> ∇=0 ∇=0 ∇=0	<b>GENERAL TOLERANCES (UNLESS SPECIFIED)</b> <table border="1"> <thead> <tr> <th></th> <th>mm</th> <th>INCH</th> </tr> </thead> <tbody> <tr> <td>4 PLACES</td> <td>± ---</td> <td>± ---</td> </tr> <tr> <td>3 PLACES</td> <td>± ---</td> <td>± ---</td> </tr> <tr> <td>2 PLACES</td> <td>± 0.13</td> <td>± ---</td> </tr> <tr> <td>1 PLACE</td> <td>± 0.25</td> <td>± ---</td> </tr> <tr> <td>0 PLACE</td> <td>±</td> <td>±</td> </tr> </tbody> </table>		mm	INCH	4 PLACES	± ---	± ---	3 PLACES	± ---	± ---	2 PLACES	± 0.13	± ---	1 PLACE	± 0.25	± ---	0 PLACE	±	±	<b>DIMENSION STYLE</b> MM ONLY	<b>SCALE</b> 4:1	<b>DESIGN UNITS</b> METRIC	THIRD ANGLE PROJECTION
		mm	INCH																					
	4 PLACES	± ---	± ---																					
	3 PLACES	± ---	± ---																					
2 PLACES	± 0.13	± ---																						
1 PLACE	± 0.25	± ---																						
0 PLACE	±	±																						
		DRAWN BY: TMCLELL DATE: 1/18/05 CHECKED BY: TMCLELL DATE: 1/18/05 APPROVED BY: BANAK I S DATE: 1/18/05	<b>MX150 DUAL ROW UNSHROUDED VERTICAL HEADER ASSEMBLY</b> 																					
		MATERIAL NO. <b>SEE CHART</b>																						
		ANGULAR ±1/2° DRAFT WHERE APPLICABLE MUST REMAIN WITHIN DIMENSIONS	SIZE <b>A 2</b>	DOCUMENT NO. <b>SD-75757-002</b>	SHEET NO. 1 OF 2	THIS DRAWING CONTAINS INFORMATION THAT IS PROPRIETARY TO MOLEX INCORPORATED AND SHOULD NOT BE USED WITHOUT WRITTEN PERMISSION																		

