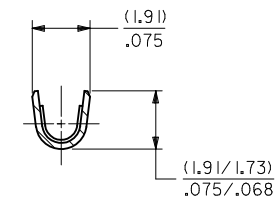
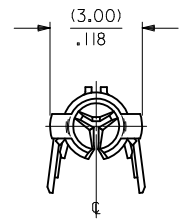
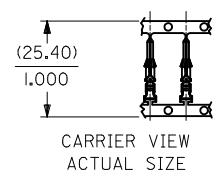
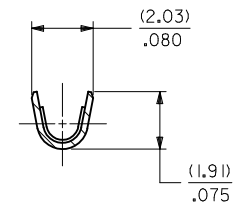


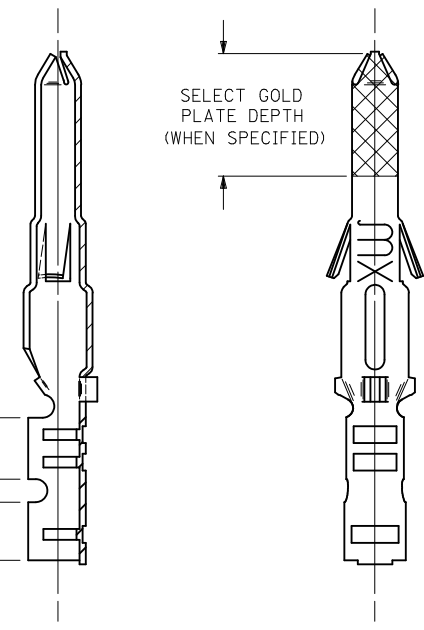
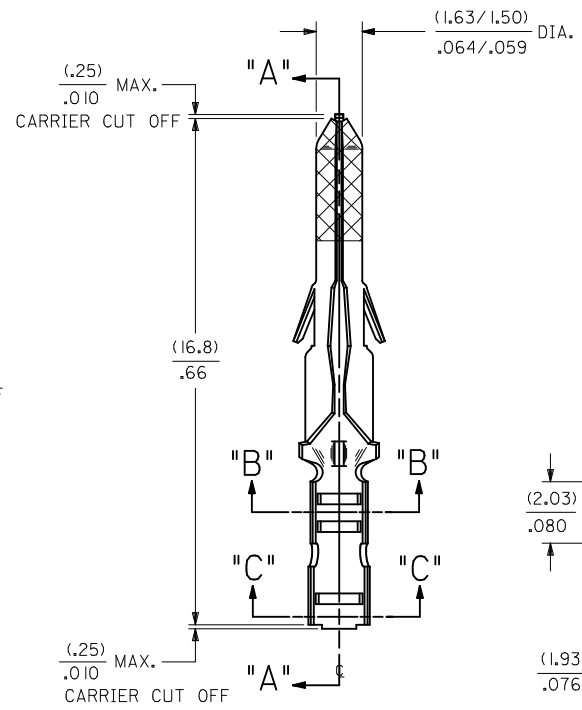
PART NO.	ENG. NO.	
02-06-2131	I854-(90)I	
02-06-2132	I854-(90)IL	
02-06-2134	I854-(90)II	OBSOLETE
02-06-6137	I854-(59)I	
02-06-6136	I854-(59)IL	
02-06-6138	I854-(56)I	
02-06-6139	I854-(56)IL	
02-06-6130	I854-(550)I	
02-06-6135	I854-(550)L	
02-06-6143	I854-(228)I	
02-06-6144	I854-(228)L	
02-06-6145	I854-(603)I	OBSOLETE



SECT. "B-B"
SCALE: 10X



SECT. "C-C"
SCALE: 10X



SECT. "A-A"

LEGEND

I854-(****)*

- P=PREPLATE
- BLANK=POSTPLATE
- FINISH CODE
- FORM BLANK=CHAIN
- I=CHAIN WITH INTERLEAF PAPER ON REEL.
- L=LOOSE

- NOTES:
- MATERIAL: BRASS
 - FINISHES:
 - 901 HOT TIN DIP (.00051)/.000020 MIN.
 - 228 SELECT GOLD PLATE (.00075)/.000030 MIN. IN CONTACT AREA, SELECT TIN (.00250)/.000100 MIN. IN CRIMP AREA OVER (.00125)/.000050 MIN. NICKEL OVERALL, WITH .000010/(0.00025) MAX. SELECT GOLD FLASH IN AREA INDICATED.
 - 561 SELECT GOLD PLATE (.00076)/.000030 MIN. IN CONTACT AREA, (.00127)/.000050 MIN. NICKEL OVERALL.
 - 591 SELECT GOLD PLATE (.00127)/.000050 MIN. IN CONTACT AREA, OVER (.00127)/.000050 MIN. NICKEL OVERALL WITH (.00025)/.000010 MAX. GOLD FLASH OVERALL.
 - 550 SELECT GOLD PLATE (.00038)/.000015 MIN. IN CONTACT AREA, OVER (.00076)/.000030 MIN. NICKEL OVERALL WITH (.00025)/.000010 MAX. GOLD FLASH OVERALL.
 - PRODUCT SPECIFICATION: PS-02-0-6
 - PACKAGE INFORMATION: NOT AVAILABLE
 - TERMINAL FOR USE WITH (1.57)/.062 DIA. SERIES HOUSINGS AND WILL ACCEPT 24 THRU 30 AWG WIRE WITH (1.02/2.29)/.040/.090 INSULATION DIAMETER.

REDRAWN EC NO: UCP2011-0053 DRWN: AELHAG 2010/07/08 CHKD: JBELL 2010/07/08 APPR: FSMITH 2010/08/06	DESCRIPTION QUALITY SYMBOLS ∇=0 ∇=0 ∇=0	GENERAL TOLERANCES (UNLESS SPECIFIED)		DIMENSION STYLE IN/MM		SCALE 8:1	DESIGN UNITS INCH	THIRD ANGLE PROJECTION	
		4 PLACES ± --- ± --- 3 PLACES ± --- ± .010 2 PLACES ± 0.25 ± .014 1 PLACE ± 0.35 ± --- ANGULAR ± 1/2°	mm INCH	DRAWN BY AELHAG	DATE 2010/07/08	TITLE CRIMP TERMINAL, MALE .062 DIA. FOR 24-30 AWG WIRE		MOLEX INCORPORATED	
AQ	REV	DRAFT WHERE APPLICABLE MUST REMAIN WITHIN DIMENSIONS		APPROVED BY FSMITH		DATE 2010/08/05	DOCUMENT NO. SD-1854-*		SHEET NO. 1 OF 1
THIS DRAWING CONTAINS INFORMATION THAT IS PROPRIETARY TO MOLEX INCORPORATED AND SHOULD NOT BE USED WITHOUT WRITTEN PERMISSION									