

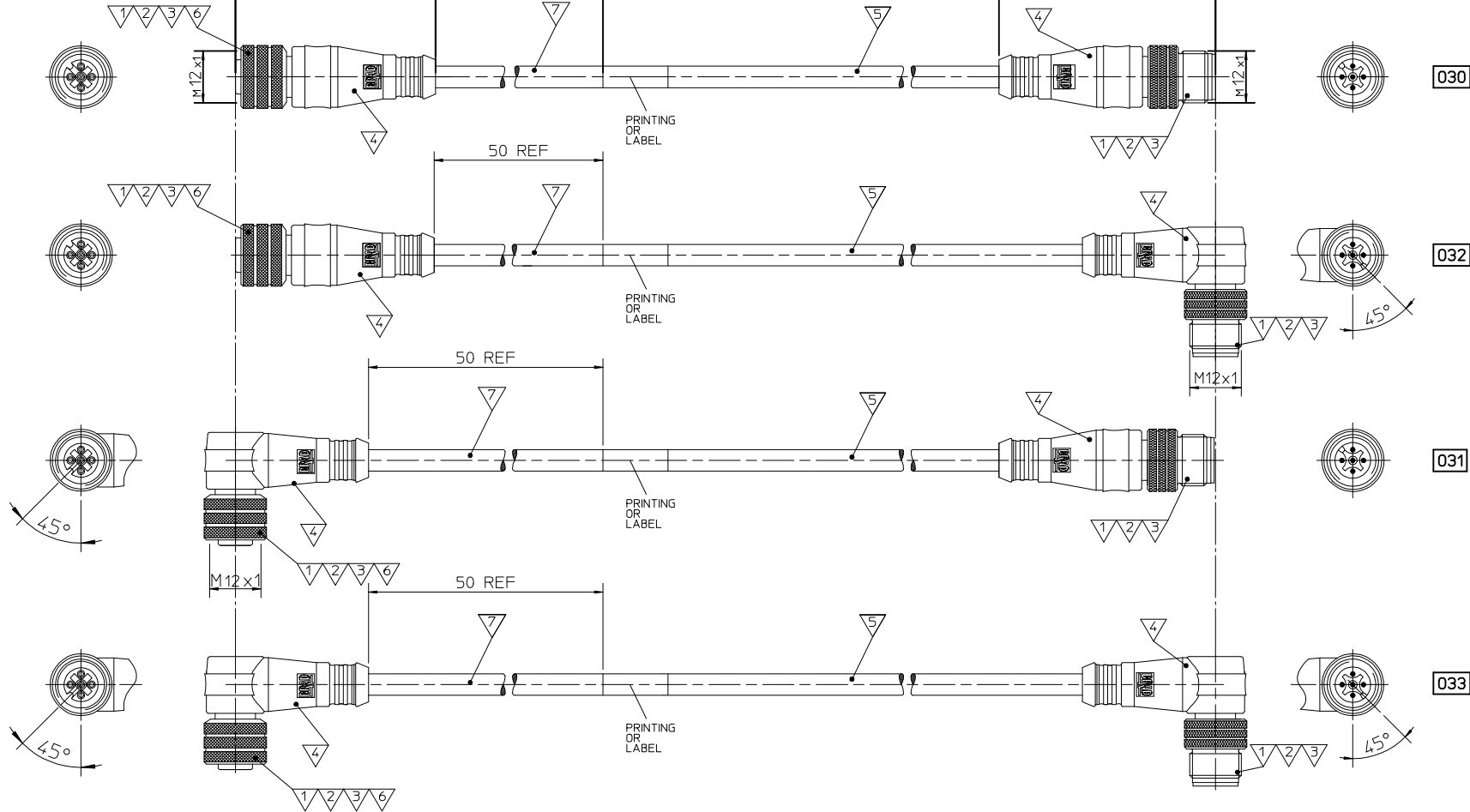
S1

FEMALE SIDES  
FACE VIEWS

FINISHED LENGTH (SEE TABLE)

MALE SIDES  
FACE VIEWS

S2



CONNECTOR SPECIFICATION:

VOLTAGE RATING	3+4P 250 VAC/VDC / 5P/60V
AMPERAGE RATING	max. 4 AMPS
PROTECTION	IP67
OPERATING TEMPERATURE	-25°C TO 80°C

6	O-RING	VITON	RED
5	CABLE	SEE TABLE	---
4	OVERMOULDING	TPU UF NATURAL C98A10	---
4	OVERMOULDING	MASTERBATCH COLORANT	---
3	COUPLING NUT	SEE SPECIAL TYPES	---
2	PIN CONTACT	COPPER ALLOY	GOLD OR NICKEL PLATED
1	INSERT	PUR	BLACK
ITEM	PART	MATERIAL	FINISH

ORIGINAL RELEASE  
EC NO: IPG2013-1417  
DRWN:MDYSZEWSKA 2013/03/11  
CHKD:JMARSZALEK 2013/03/11  
APPR:MIWASIECZKO 2013/03/12

QUALITY SYMBOLS  
▽=0  
◻=0

GENERAL TOLERANCES (UNLESS SPECIFIED)

	mm	INCH
4 PLACES	± ---	± ---
3 PLACES	± ---	± ---
2 PLACES	± ---	± ---
1 PLACE	± ---	± ---
0 PLACE	± ---	± ---

ANGULAR ± ---°  
DRAFT WHERE APPLICABLE  
MUST REMAIN WITHIN DIMENSIONS

DIMENSION STYLE  
MM ONLY

DRAWN BY	DATE
HWALCZAK	2012/11/22
CHECKED BY	DATE
JMARSZALEK	2013/01/14
APPROVED BY	DATE
MIWASIECZKO	2013/01/15

MATERIAL NO.  
SEE CHART

SCALE  
DESIGN UNITS  
METRIC

FIRST ANGLE PROJECTION

TITLE  
CSE M12 XP AC FE MA  
XM DE

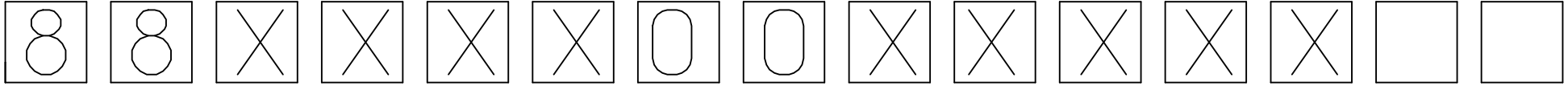
**molex**

DOCUMENT NO.  
SD-120066-001

SHEET NO.  
1 OF 6

THIS DRAWING CONTAINS INFORMATION THAT IS PROPRIETARY TO MOLEX INCORPORATED AND SHOULD NOT BE USED WITHOUT WRITTEN PERMISSION

SPECIAL TYPES



Thread M12x1 double ended

POLES  
 3- INSERT 3 POLES  
 4- INSERT 4 POLES  
 5- INSERT 5 POLES

HEAD TYPE  
 030 Plugs female and male straight  
 031 Plugs female 90° and male straight  
 032 Plugs female straight and male 90°  
 033 Plugs female and male 90°

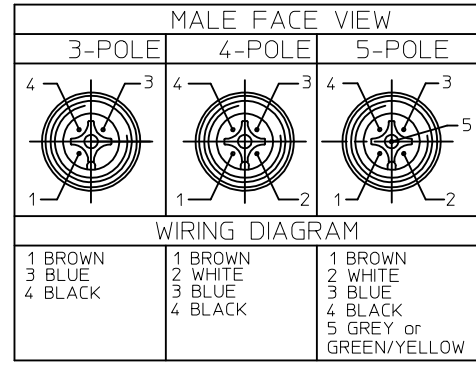
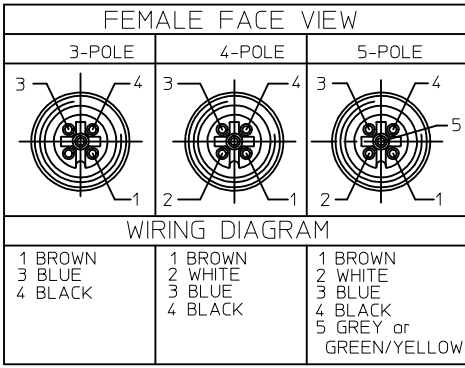
CABLE TYPES  
 E02 = 0,25mm², PVC black  
 E03 = 0,34mm², PVC black  
 E13 = 0,75mm², PVC yellow  
 E52 = 0,34mm², PVC grey (RAL7001)  
 E57 = 0,34mm², PVC grey (RAL7001)  
 H09 = 0,34mm², PUR black  
 H69 = 0,2mm², PUR grey LSOH SCR  
 I02 = 0,25mm², PVC grey CEI  
 I03 = 0,34mm², PVC grey CEI  
 I20 = 0,34mm², PVC grey CEI SCR DC  
 I26 = 0,34mm², PVC grey CEI SCR AC  
 P02 = 0,25mm², PUR/PVC black  
 P03 = 0,34mm², PUR/PVC black  
 P08 = 0,25mm², PUR yellow HIFLEX  
 P20 = 0,34mm², PUR black LSOH braid  
 P82 = 0,34mm², PUR orange irradiated DC  
 S20 = 0,34mm², PVC yellow SJTO braid  
 S26 = 0,34mm², PVC yellow SJTO braid AC

LENGTH UNIT  
 C-cm  
 M-m  
 K-km  
 F-feet

LENGTH  
 Example:  
 020 - 2M  
 060 - 6M  
 100 - 10M

COUPLING NUT  
 blank and 3-standard (BRASS)  
 1 - STAINLESS STEEL  
 5 - DELRIN  
 7 - TEFLON COAT

PLUG MATERIAL  
 blank-standard (BLACK)  
 A-GREY  
 Y-YELLOW  
 H-standard with ID carrier



Tablica tolerancji dlugosci  
 Table of length tolerances


Powyzej Over	Do-wlacznie Up to and including	Tolerancja (+) Tolerance
0	305	+19
305	915	+45
915	1830	+56
1830	3660	+89
3660	7320	+165
7320	14640	+317
14640	30500	+610
30500	>	+2% dlugosci of length

ORIGINAL RELEASE EC NO: IPG2013-1417 DRWN:MDYSZEWSKA 2013/03/11 CHKD:JMARSZALEK 2013/03/11 APPR:MIWASIECZKO 2013/03/12	QUALITY SYMBOLS ▽=0 ∇=0	GENERAL TOLERANCES (UNLESS SPECIFIED)	DIMENSION STYLE MM ONLY	SCALE	DESIGN UNITS METRIC	FIRST ANGLE PROJECTION	
		mm INCH	DRAWN BY DATE HWALCZAK 2012/11/22	TITLE	CSE M12 XP AC FE MA XM DE		
		4 PLACES ± --- ± --- 3 PLACES ± --- ± --- 2 PLACES ± --- ± --- 1 PLACE ± --- ± --- 0 PLACE ± --- ± ---	CHECKED BY DATE JMARSZALEK 2013/01/14	APPROVED BY DATE MIWASIECZKO 2013/01/15			
		ANGULAR ± --- °	MATERIAL NO. SEE CHART	DOCUMENT NO. SD-120066-001			
A1	DRAFT WHERE APPLICABLE MUST REMAIN WITHIN DIMENSIONS	THIS DRAWING CONTAINS INFORMATION THAT IS PROPRIETARY TO MOLEX INCORPORATED AND SHOULD NOT BE USED WITHOUT WRITTEN PERMISSION					

	10	9	8	7	6	5	4	3	2	1
F	1200072580	883030A51M006	1200668698	883030I03M100A	1200070470	884030E03M003	1200668174	884030H09M030	1200072803	884030P03M040
	1200668662	883030E02M006	1200668699	883030I03M200A	1200665009	884030E03M005	1200668380	884030H09M040	1200072803	884030P03M040
	1200070081	883030E03M006	1200070102	883030P03M003	1200668672	884030E03M0051	1200668244	884030H09M050	1200070490	884030P03M050
	1200070083	883030E03M010	1200668045	883030P03M005	1200070472	884030E03M006	1200668550	884030H09M050H	1200070490	884030P03M050
	1200070085	883030E03M020	1200070104	883030P03M006	1200070473	884030E03M010	1200668381	884030H09M100	1200072650	884030P03M0505
	1200070086	883030E03M0205	1200070104	883030P03M006	1200668062	884030E03M010H	1200070774	884030I03M006	1200072010	884030P03M050H
	1200071006	883030E03M020H	1200660498	883030P03M010	1200071594	884030E03M015	1200070480	884030I03M010	1200072804	884030P03M060
	1200070088	883030E03M030	1200071123	883030P03M010H	1200070474	884030E03M020	1200070481	884030I03M020	1200072804	884030P03M060
	1200668370	883030E03M040	1200668691	883030P03M010YH	1200071703	884030E03M0205	1200071627	884030I03M0205	1200071029	884030P03M100
	1200070091	883030E03M050	1200660500	883030P03M020	1200071774	884030E03M020H	1200668637	884030I03M020Y	1200071029	884030P03M100
E	1200070092	883030E03M0505	1200071131	883030P03M0201	1200070475	884030E03M030	1200070785	884030I03M030	1200665031	884030P03M100H
	1200070093	883030E03M100	1200071114	883030P03M020H	1200072092	884030E03M040	1200668372	884030I03M040	1200072105	884030P03M200
	1200668208	883030E03M150	1200668690	883030P03M020YH	1200060049	884030E03M050	1200070483	884030I03M050	1200072105	884030P03M200
	1200071343	883030E52M003A	1200660501	883030P03M030	1200072744	884030E03M0501	1200070484	884030I03M060	1200665370	884030P03M205G
	1200070956	883030E52M020A	1200660501	883030P03M030	1200071707	884030E03M0505	1200070485	884030I03M100	1200658808	884030P04M100
	1200668373	883030H09M006	1200071122	883030P03M030H	1200072172	884030E03M050H	1200668638	884030I03M100Y	1200071412	884030P08M010
	1200668374	883030H09M010	1200668646	883030P03M030HY	1200071596	884030E03M060	1200071338	884030I20M030	1200071412	884030P08M010
	1200668197	883030H09M020	1200072104	883030P03M040	1200070476	884030E03M100	1200070486	884030P03M003	1200072047	884030P09M0201
	1200668375	883030H09M030	1200660502	883030P03M050	1200071881	884030E03M1005	1200070486	884030P03M003	1200668505	884030P20M010
	1200668376	883030H09M040	1200071047	883030P03M050H	1200072544	884030E03M120	1200668687	884030P03M005	1200668506	884030P20M020
D	1200668198	883030H09M050	1200071288	883030P03M060	1200071715	884030E03M150	1200070487	884030P03M006	1200668507	884030P20M050
	1200668377	883030H09M100	1200070105	883030P03M100	1200071793	884030E03M1501	1200070487	884030P03M006	1200668508	884030P20M100
	1200070095	883030I03M003	1200071273	883030P03M100H	1200071199	884030E03M200	1200070488	884030P03M010	1200071501	884030P82M003
	1200070096	883030I03M006	1200072658	883030P03M120	1200071026	884030E52M010A	1200070488	884030P03M010	1200071067	884030P82M0037
	1200070097	883030I03M010	1200071053	883030P03M150	1200661434	884030E52M020A	1200072762	884030P03M0101	1200070494	884030P82M005
	1200070098	883030I03M020	1200071666	883030P08M100	1200071624	884030E52M030A	1200072649	884030P03M0105	1200071162	884030P82M006
	1200668632	883030I03M020Y	1200071666	883030P08M100	1200661472	884030E52M050A	1200668384	884030P03M010H	1200071162	884030P82M006
	1200070099	883030I03M030	1200071127	883030P09M006	1200070867	884030E52M100A	1200060050	884030P03M015	1200071066	884030P82M0067
	1200668696	883030I03M030A	1200070972	883030P09M020	1200070653	884030E52M200A	1200060050	884030P03M015	1200668643	884030P82M0067Y
C	1200668633	883030I03M030Y	1200668310	883030S20M005	1200668378	884030H09M006	1200070489	884030P03M020	1200070798	884030P82M010
	1200668371	883030I03M040	1200070110	883030S20M010	1200668548	884030H09M006H	1200070489	884030P03M020	1200668349	884030P82M0101
	1200070100	883030I03M050	1200070111	883030S20M020	1200668379	884030H09M010	1200072763	884030P03M0201	1200071068	884030P82M0107
	1200668697	883030I03M050A	1200668172	883030S20M050	1200668549	884030H09M010H	1200060051	884030P03M030	1200668644	884030P82M0107Y
	1200668634	883030I03M050Y	1200072390	884030A51M0031	1200668234	884030H09M020	1200060051	884030P03M030	1200071582	884030P82M015
	1200070101	883030I03M100	1200668661	884030E02M0031	1200668486	884030H09M023	1200072764	884030P03M0301	1200071069	884030P82M0157

ORIGINAL RELEASE EC NO: IPG2013-1417 DRW:MD/SZEWKA 2013/03/11 CHKD: JMARSZALEK 2013/03/11 APPR: MIWASIECZKO 2013/03/12	QUALITY SYMBOLS	GENERAL TOLERANCES (UNLESS SPECIFIED)		DIMENSION STYLE MM ONLY		SCALE	DESIGN UNITS METRIC	FIRST ANGLE PROJECTION	
	▽=0	mm	INCH	DRAWN BY	DATE	TITLE			
	∇=0	4 PLACES ± --- ± ---	HWALCZAK	2012/11/22	CSE M12 XP AC FE MA				
		3 PLACES ± --- ± ---	CHECKED BY	DATE	XM DE				
	2 PLACES ± --- ± ---	JMARSZALEK	2013/01/14						
	1 PLACE ± --- ± ---	APPROVED BY	DATE						
	0 PLACE ± --- ± ---	MIWASIECZKO	2013/01/15						
	ANGULAR ± --- °	MATERIAL NO.		SEE CHART		DOCUMENT NO.		SHEET NO.	
	DRAFT WHERE APPLICABLE MUST REMAIN WITHIN DIMENSIONS	SIZE		THIS DRAWING CONTAINS INFORMATION THAT IS PROPRIETARY TO MOLEX INCORPORATED AND SHOULD NOT BE USED WITHOUT WRITTEN PERMISSION		SD-120066-001		3 OF 6	
A1	REV								

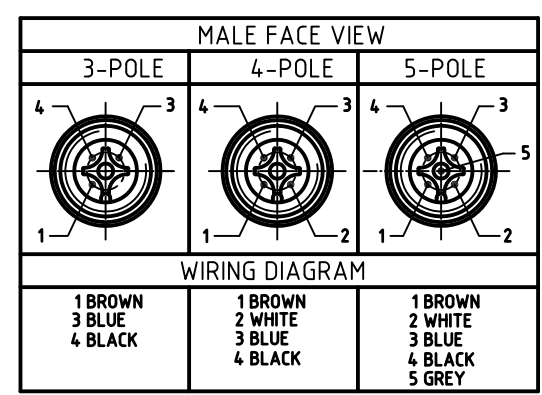
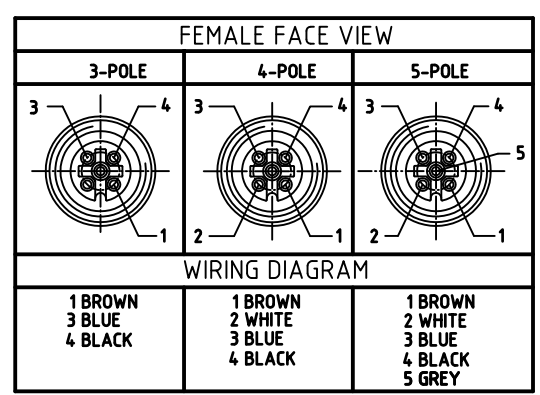
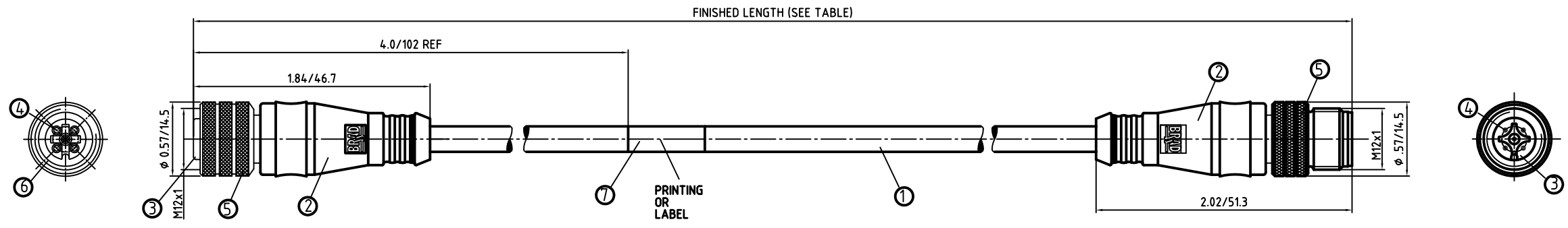
	10	9	8	7	6	5	4	3	2	1	
F	1200070799	884030P82M020	1200072341	885030A51M050	1200668683	885030H09M150	1200060048	883031A51M050	1200070511	884031E03M020	F
	1200072601	884030P82M0201	1200072341	885030A51M050	1200668684	885030H09M200	1200060052	884031I20M005	1200070512	884031E03M030	
	1200071088	884030P82M0207	1200072342	885030A51M100	1200070961	885030I03M030	1200060053	884031I20M010	1200070522	884031I03M020	
	1200668645	884030P82M0207Y	1200668664	885030E02M010	1200668642	885030I03M030Y	1200060054	884031I20M015	1200070523	884031I03M030	
	1200071580	884030P82M030	1200668657	885030E02M020	1200668165	885030I03M100	1200060055	884031I20M020	1200070526	884031P03M003	
	1200071647	884030P82M0307	1200668609	885030E02M050	1200072106	885030I26M005	1200060056	884031P03M010	1200070526	884031P03M003	
	1200071428	884030P82M0407	1200668708	885030E02M050Y	1200668082	885030I26M006	1200060056	884031P03M010	1200070527	884031P03M006	
	1200071254	884030P82M050	1200668656	885030E02M100	1200070890	885030I26M010	1200060057	884031P03M020	1200070527	884031P03M006	
	1200668067	884030P82M0507	1200071500	885030E03M005	1200668639	885030I26M010Y	1200060057	884031P03M020	1200070529	884031P03M030	
	1200668187	884030P82M050H	1200668338	885030E03M006	1200072359	885030I26M015	1200070118	883031E03M006	1200070529	884031P03M030	
E	1200668391	884030P82M060	1200070906	885030E03M010	1200070891	885030I26M020	1200070119	883031E03M010	1200070534	884031S20M030	E
	1200668391	884030P82M060	1200668530	885030E03M010H	1200668640	885030I26M020Y	1200070121	883031E03M020	1200070651	884031I03M006	
	1200718014	884030P82M0607	1200070970	885030E03M020	1200668281	885030I26M025	1200070123	883031E03M030	1200070768	884031S20M050	
	1200658167	884030P82M080	1200668528	885030E03M020H	1200070892	885030I26M030	1200070125	883031E03M050	1200070783	884031S20M100H	
	1200070937	884030P82M100	1200070586	885030E03M030	1200668641	885030I26M030Y	1200070127	883031E03M100	1200070904	884031E03M050	
	1200668517	884030P82M1007	1200072081	885030E03M035	1200071279	885030I26M050	1200070132	883031I03M003	1200070917	885031P03M020	
	1200071272	884030S20M005	1200071948	885030E03M040	1200668083	885030P03M005	1200070133	883031I03M006	1200070919	885031P03M030	
	1200071237	884030S20M005H	1200070969	885030E03M050	1200071947	885030P03M007	1200070134	883031I03M010	1200070945	883031E03M015	
	1200071178	884030S20M006H	1200072697	885030E03M060	1200668084	885030P03M010	1200070136	883031I03M020	1200071010	884031P82M100	
D	1200668068	884030S20M010	1200668652	885030E03M070	1200070596	885030P03M020	1200070137	883031I03M030	1200071096	884031P82M0037	D
	1200071035	884030S20M010H	1200071583	885030E03M080	1200668602	885030P03M020G	1200070138	883031I03M050	1200071121	883031P03M010H	
	1200071238	884030S20M015H	1200668347	885030E03M100	1200668086	885030P03M0283	1200070140	883031P03M003	1200071138	884031S20M010H	
	1200070499	884030S20M020	1200668674	885030E03M150	1200071408	885030P03M030	1200070141	883031P03M006	1200071139	884031S20M020H	
	1200071141	884030S20M020H	1200668487	885030E03M200	1200668163	885030P03M040	1200070142	883031P03M010	1200071143	884031P82M0107	
	1200070500	884030S20M030	1200668521	885030E03M250	1200071049	885030P03M050	1200070143	883031P03M020	1200071144	884031P82M0207	
	1200071137	884030S20M030H	1200668081	885030E57M100A	1200073049	885030P03M0501	1200070144	883031P03M030	1200071157	884031E03M060	
	1200071264	884030S20M040H	1200665054	885030E85M200	1200668088	885030P03M070	1200070145	883031P03M050	1200071164	884031S20M003H	
	1200070502	884030S20M050	1200665054	885030E85M200	1200071284	885030P03M100	1200070146	883031P03M100	1200071179	884031S20M006H	
	1200071188	884030S20M050H	1200668509	885030H09M006	1200072656	885030P03M120	1200070149	883031P09M020	1200071183	884031S20M030H	
	1200070023	884030S20M060H	1200668497	885030H09M010	1200668238	885030P03M200	1200070152	883031S20M010	1200071187	884031P03M050	
	1200070504	884030S20M100	1200668500	885030H09M020	1200072427	885030P09M050	1200070153	883031S20M020	1200071187	884031P03M050	
	1200071161	884030S20M100H	1200668510	885030H09M030	1200665012	885030P82M030	1200070156	883031S20M050	1200071189	884031S20M050H	
	1200668294	885030A51M010	1200668501	885030H09M050	1200070597	885030S26M010	1200070507	884031E03M003	1200071200	884031S20M015H	
	1200668294	885030A51M010	1200668502	885030H09M092	1200668090	885030S26M020H	1200070508	884031E03M006	1200071236	884031S20M005H	
	1200072353	885030A51M020	1200668511	885030H09M100	1200060048	883031A51M050	1200070509	884031E03M010	1200071278	884031E03M100	

ORIGINAL RELEASE EC NO: IPG2013-1417 DRW:MD/SZEWKA 2013/03/11 CHKD:JMARSZALEK 2013/03/11 APPR:MIWASIECZKO 2013/03/12	QUALITY SYMBOLS	GENERAL TOLERANCES (UNLESS SPECIFIED)		DIMENSION STYLE MM ONLY		SCALE	DESIGN UNITS METRIC	FIRST ANGLE PROJECTION	
	▽=0	mm	INCH	DRAWN BY	DATE	TITLE			
	◻=0	4 PLACES ± --- ± ---	HWALCZAK	2012/11/22	CSE M12 XP AC FE MA				
		3 PLACES ± --- ± ---	CHECKED BY	DATE	XM DE				
	2 PLACES ± --- ± ---	JMARSZALEK	2013/01/14						
	1 PLACE ± --- ± ---	APPROVED BY	DATE						
	0 PLACE ± --- ± ---	MIWASIECZKO	2013/01/15	MATERIAL NO.		DOCUMENT NO.			SHEET NO.
	ANGULAR ± --- °	SEE CHART		SD-120066-001		4 OF 6			
	DRAFT WHERE APPLICABLE MUST REMAIN WITHIN DIMENSIONS	SIZE	THIS DRAWING CONTAINS INFORMATION THAT IS PROPRIETARY TO MOLEX INCORPORATED AND SHOULD NOT BE USED WITHOUT WRITTEN PERMISSION						
A1	REV								

	10	9	8	7	6	5	4	3	2	1	
F	1200071280	884031S20M040H	1200072696	883031S20M010H	1200668258	883031I03M080	1200668666	884031P82M0107Y	1200072838	884032P03M003	
	1200071318	884031P82M0067	1200072725	885031I26M005	1200668259	884031I20M003	1200668667	884031I20M030Y	1200072879	883032H09M010	F
	1200071341	884031I20M030	1200072726	885031I26M010	1200668273	885031P03M050	1200668669	884031H09M006	1200665032	884032E03M020	
	1200071493	883031P82M050	1200072772	884031H03M009	1200668278	885031E03M020	1200668670	884031H09M050	1200665040	884032H69M100	
	1200071575	884031P82M006	1200072772	884031H03M009	1200668279	885031E03M050	1200668671	884031H09M100	1200668007	883032I03M010	
	1200071575	884031P82M006	1200072779	884031P09M0405	1200668287	884031I20M025	1200070026	884032P03M020	1200668053	883032E03M100	
	1200071576	884031P82M010	1200658762	883031H09M006	1200668324	883031P03M010G	1200070158	883032E03M003	1200668054	883032P03M005	
	1200071577	884031P82M015	1200658763	883031H09M010	1200668325	883031P03M020G	1200070159	883032E03M006	1200668072	884032E03M006	
	1200071578	884031P82M030	1200658764	883031H09M020	1200668326	883031P03M030G	1200070160	883032E03M010	1200668073	884032E03M010	
	1200071579	884031P82M050	1200658765	883031H09M030	1200668339	885031E03M006	1200070161	883032E03M020	1200668074	884032E03M050	
E	1200071581	884031P82M020	1200658766	883031H09M040	1200668340	885031E03M030	1200070166	883032I03M006	1200668075	884032E03M100	E
	1200071617	883031P09M0205	1200658767	883031H09M050	1200668348	885031E03M100	1200070171	883032P03M006	1200668076	884032H69M030	
	1200071832	884031I20M050	1200658768	883031H09M100	1200668361	884031E03M015	1200070172	883032P03M010	1200668077	884032P82M0037	
	1200071833	884031I20M100	1200659035	883031E02M050	1200668392	884031P82M060	1200070173	883032P03M020	1200668078	884032P82M0207	
	1200071893	884031S20M100	1200659070	884031I20M010Y	1200668484	884031H09M010	1200070174	883032P03M030	1200668092	885032E03M020	
	1200071994	885031P82M030	1200659071	884031I20M015Y	1200668488	884031H09M015	1200070184	883032S20M010	1200668093	885032P03M030	
	1200072011	884031E03M200	1200659072	884031I20M020Y	1200668496	885031H09M010	1200070185	883032S20M020	1200668161	884032S20M030	
	1200072012	884031P03M100	1200659115	884031I20M005Y	1200668512	885031H09M006	1200070547	884032P03M0105	1200668173	884032E03M1501	
	1200072012	884031P03M100	1200660383	884031S20M010	1200668513	885031H09M020	1200070841	884032E52M020A	1200668177	884032S20M020	
	1200072030	884031P09M010	1200665007	884031P82M0157	1200668514	885031H09M030	1200070907	884032S20M050	1200668200	884032E03M1001	
D	1200072164	883031E03M040	1200665037	883031P09M015	1200668515	885031H09M050	1200070914	884032P03M050	1200668205	883032E03M050	D
	1200072187	883031P09M0505	1200665039	884031S20M003	1200668516	885031H09M100	1200071014	884032E03M030	1200668206	883032E03M150	
	1200072220	883031A51M020	1200665053	884031S20M060H	1200668520	883031P03M070	1200071271	885032E03M010	1200668223	884032E03M200	
	1200072220	883031A51M020	1200668052	883031S20M006	1200668531	884031P82M0507	1200071277	884032E52M010A	1200668267	884032P82M0107	
	1200072221	883031A51M100	1200668071	884031S20M020	1200668532	884031P82M1007	1200071407	884032P03M010	1200668268	883032E03M200	
	1200072221	883031A51M100	1200668091	885031P03M025	1200668608	883031E02M020	1200071519	884032P03M006	1200668282	884032P82M0157	
	1200072354	885031A51M020	1200668175	883031E03M060	1200668610	885031E02M050	1200071520	884032P03M030	1200668290	884032H09M020	
	1200072355	885031A51M050	1200668188	885031P03M010	1200668612	883031E02M100	1200072163	884032E03M0501	1200668307	884032E03M1005	
	1200072355	885031A51M050	1200668189	885031E03M010	1200668613	883031E02M030	1200072213	884032P03M1005	1200668308	884032E03M2005	
C	1200072356	885031A51M100	1200668191	883031S20M030	1200668635	883031E03M010Y	1200072294	883032P03M0305	1200668309	884032E03M1205	C
	1200072365	884031E03M1501	1200668212	884031H09M020	1200668636	883031E03M020Y	1200072378	883032E03M060	1200668311	884032H69M010	
	1200072376	885031P03M0105	1200668215	884031H09M030	1200668647	884031P82M0067Y	1200072424	884032I03M003	1200668312	884032H69M050	
	1200072445	883031E03M020H	1200668221	884031P82M040	1200668653	885031E03M070	1200072577	885032P03M003	1200668341	883032P03M050	
	1200072447	883031A51M030	1200668237	883031S20M100	1200668658	885031E02M020	1200072705	883032P03M060	1200668343	884032P82M0067	
	1200072447	883031A51M030	1200668247	884031P82M005	1200668660	885031E02M100	1200072738	884032A51M050	1200668345	884032P03M002G	

ORIGINAL RELEASE EC NO: IPG2013-147 DRW:MD/SZEWKA 2013/03/11 CHKD:JMARSZALEK 2013/03/11 APPR:MIWASIECZKO 2013/03/12	QUALITY SYMBOLS	GENERAL TOLERANCES (UNLESS SPECIFIED)		DIMENSION STYLE MM ONLY		SCALE	DESIGN UNITS METRIC	FIRST ANGLE PROJECTION		
	=0 =0	4 PLACES	± ---	± ---	DRAWN BY	DATE	TITLE CSE M12 XP AC FE MA XM DE			
		3 PLACES	± ---	± ---	HWALCZAK	2012/11/22				
		2 PLACES	± ---	± ---	CHECKED BY	DATE				
1 PLACE		± ---	± ---	JMARSZALEK	2013/01/14					
	0 PLACE	± ---	± ---	APPROVED BY	DATE					
	ANGULAR ± --- °	DRAFT WHERE APPLICABLE MUST REMAIN WITHIN DIMENSIONS		SEE CHART		MATERIAL NO.	DOCUMENT NO.	SHEET NO.		
A1				A3		SD-120066-001		5 OF 6		
THIS DRAWING CONTAINS INFORMATION THAT IS PROPRIETARY TO MOLEX INCORPORATED AND SHOULD NOT BE USED WITHOUT WRITTEN PERMISSION										





**CONNECTOR SPECIFICATION:**

VOLTAGE RATING	3+4P 250 VAC/VDC / 5P/60V
AMPERAGE RATING	max. 4 AMPS
PROTECTION	IP67
OPERATING TEMPERATURE	-20°C TO 80°C

ITEM	COMPONENT	MATERIAL	FINISH
7	LABLE	MYLAR	BLACK/YELLOW
6	O-RING	VITON	RED
5	COUPLER	BRASS	NICKEL PLATED
4	SOCKET/PIN CONTACT	COPPER ALLOY	GOLD OVER NICKEL
3	INSERT	PUR	BLACK
2	OVERMOLD	POLYURETHANE (PUR)	YELLOW
1	CABLE- 22/3-5 (COPPER STRANDING) 3/4/5 CONDUCT. 300V	JACKET: TPE/PVC (2 LAYER)	JACKET: BLACK

DESCRIPTION EC NO.: WEU2010-0577 DRWN: LSTEMMLE CHKD: FP APPR: REISSNER 02.06.10 2010/07/14	QUALITY SYMBOLS ▽ = 0 ▽/C = 0	GENERAL TOLERANCES (UNLESS SPECIFIED) mm    INCH 4 PLACES ± --- ± --- 3 PLACES ± --- ± --- 2 PLACES ± --- ± .01 1 PLACE ± 0.3 ± --- ANGULAR ± --- °	DIMENSION STYLE IN/MM DRAWN BY DATE LSTEMMLE 2010/02/03 CHECKED BY DATE RE 2010/06/08 APPROVED BY DATE FPACHER 2010/02/15	SCALE 1:1 DESIGN UNITS METRIC THIRD ANGLE PROJECTION	MICRO-CHANGE CORDSET 3/4/5 P. FE STR/ MA STR 22/3-5 PUR/PVC BLACK CA.
	DRAFT WHERE APPLICABLE MUST REMAIN WITHIN DIMENSIONS		SEE TABLE SHEET 2	MATERIAL NO.    DOCUMENT NO.    SHEET NO. SD-120066-029    1 OF 2	
	THIS DRAWING CONTAINS INFORMATION THAT IS PROPRIETARY TO MOLEX INCORPORATED AND SHOULD NOT BE USED WITHOUT WRITTEN PERMISSION				
	SIZE A3				

10

9

8

7

6

5

4


3

2

1

POL	MATERIAL NUMBER	ENGINEERING NUMBER	FINISHED LENGTH
3	1200660498	883030P03M010	1.0M +55.6 -0 [3.27' +2.19" -0]

POL	MATERIAL NUMBER	ENGINEERING NUMBER	FINISHED LENGTH
5	1200668084	885030P03M010	1.0M +55.6 -0 [3.27' +2.19" -0]

DESCRIPTION EC NO.: WEU2010-0577 DRWN: LSTEMMLE 02.06.10 CH'KD: FP APPR: REISSNER 2010/07/14	QUALITY SYMBOLS	GENERAL TOLERANCES (UNLESS SPECIFIED)		DIMENSION STYLE		SCALE	DESIGN UNITS	THIRD ANGLE PROJECTION
	▼ = 0	mm	INCH	IN/MM		1:1	METRIC	
	∇ = 0	4 PLACES ±---	±---	DRAWN BY DATE		MICRO-CHANGE CORDSET 3/4/5 P. FE STR/ MA STR 22/3-5 PUR/PVC BLACK CA.		
		3 PLACES ±---	±---	LSTEMMLE 2010/02/03				
		2 PLACES ±---	±.01	CHECKED BY DATE		 <b>MOLEX INCORPORATED</b>		
	1 PLACE ±0.3	±---	RE 2010/06/08					
	ANGULAR ± --- °	APPROVED BY DATE		MATERIAL NO.		DOCUMENT NO.	SHEET NO.	
		DRAFT WHERE APPLICABLE MUST REMAIN WITHIN DIMENSIONS		SEE TABLE		SD-120066-029	2 OF 2	
3	REV	SIZE A3		THIS DRAWING CONTAINS INFORMATION THAT IS PROPRIETARY TO MOLEX INCORPORATED AND SHOULD NOT BE USED WITHOUT WRITTEN PERMISSION				

10

9

8

7

6

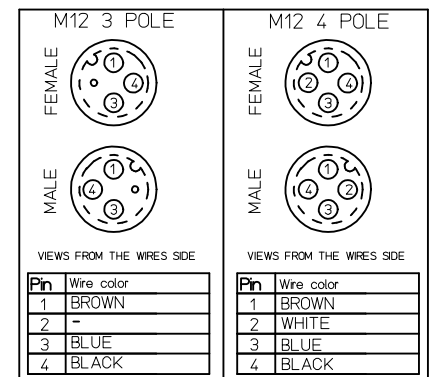
5

4

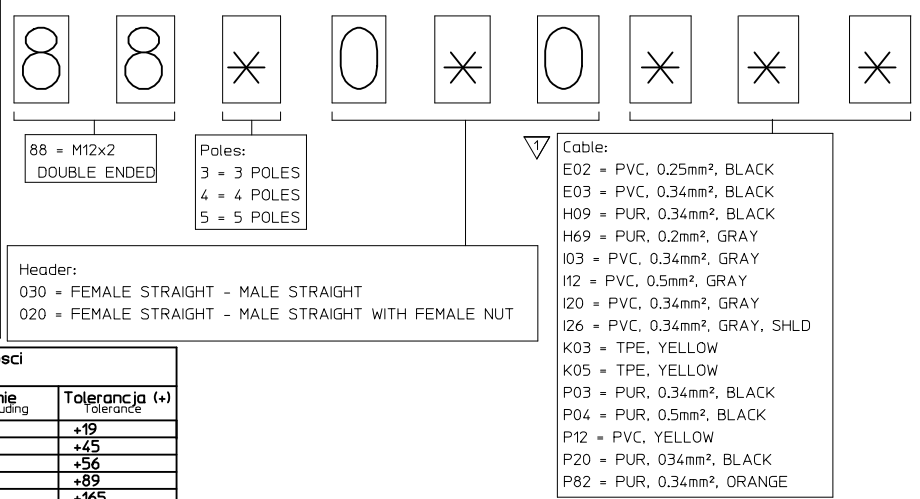
3

2

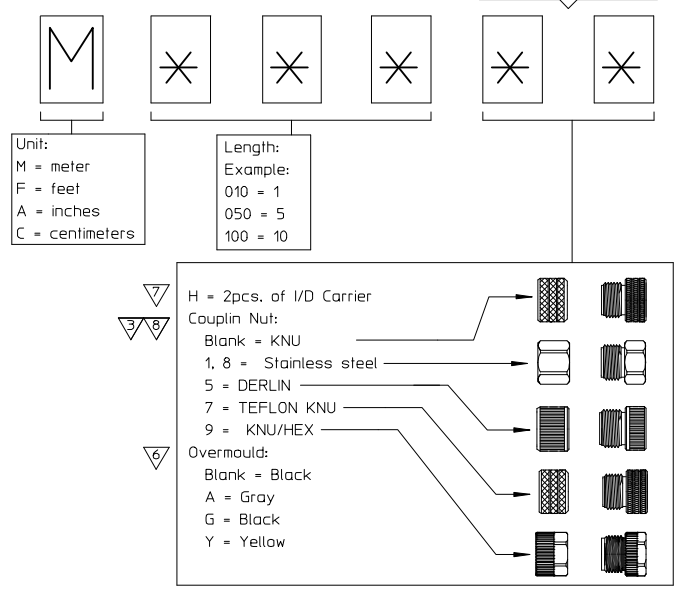
1



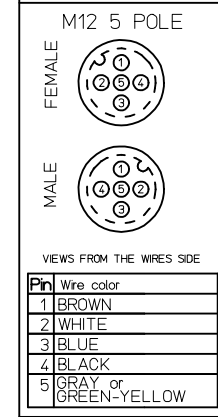
## PART No MATRIX



## OPTIONS



Header:  
030 = FEMALE STRAIGHT - MALE STRAIGHT  
020 = FEMALE STRAIGHT - MALE STRAIGHT WITH FEMALE NUT

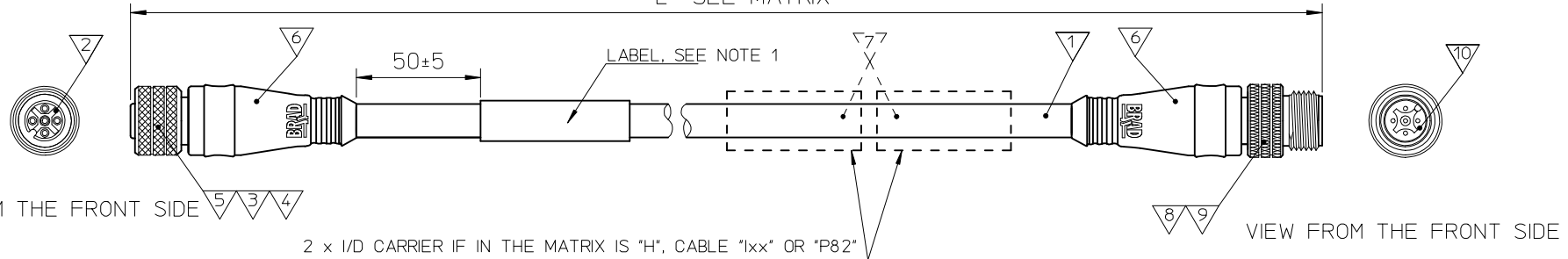


### Tablica tolerancji dlugosci

Table of length tolerances

Powyzej Over	Do-wlacznie Up to and including	Tolerancja (+) Tolerance
0	305	+19
305	915	+45
915	1830	+56
1830	3660	+89
3660	7320	+165
7320	14640	+317
14640	30500	+610
30500	>	+2% dlugosci of length

L -SEE MATRIX



### Bill of Materials

ITEM	QTY.	DESCRIPTION	MATERIAL	FINISH
10	1	INSERT M12 MALE	SEE MATRIX	SEE MATRIX
9	-	CONTACT MALE	SEE MATRIX	SEE MATRIX
8	1	COUPLING NUT MALE M12	SEE MATRIX	SEE MATRIX
7	-	ID CARRIER	SEE MATRIX	SEE MATRIX
6	-	MOLDING MATERIAL	SEE MATRIX	SEE MATRIX
5	1	O-RING	FPM	RED
4	-	CONTACT FEMALE	SEE MATRIX	SEE MATRIX
3	1	COUPLING NUT FEMALE M12	SEE MATRIX	SEE MATRIX
2	1	INSERT M12 FEMALE	SEE MATRIX	SEE MATRIX
1	-	CABLE	SEE MATRIX	SEE MATRIX

### NOTES:

- LABEL ON THE CABLE FOR CABLES "Ixx" OVERPRINT ON THE CABLE

ORIGINAL RELEASE EC NO: IPG2016-0305 DRWN: AKONDRACIUK 2015/08/28 CHKD: FGAIK 2015/08/28 APPR: MIWASIECZKO 2015/09/16	QUALITY SYMBOLS	GENERAL TOLERANCES (UNLESS SPECIFIED)	DIMENSION STYLE	SCALE	DESIGN UNITS	THIRD ANGLE PROJECTION	
	▼=0 ▽=0	mm    INCH 4 PLACES ± --- ± --- 3 PLACES ± --- ± --- 2 PLACES ± --- ± --- 1 PLACE ± --- ± --- 0 PLACE ± --- ± ---	MM ONLY	---	METRIC		
		ANGULAR ± 1 °	DRAWN BY: AKONDRACIUK    DATE: 2015/08/28	TITLE	M12 DOUBLE ENDED FE STR / MA STR		
		DRAFT WHERE APPLICABLE MUST REMAIN WITHIN DIMENSIONS	CHECKED BY: FGAIK    DATE: 2015/08/28	APPROVED BY: MIWASIECZKO    DATE: 2015/09/16			
		MATERIAL NO. SEE MATRIX	DOCUMENT NO. SD-120066-061		SHEET NO. 1 OF 1		
		THIS DRAWING CONTAINS INFORMATION THAT IS PROPRIETARY TO MOLEX INCORPORATED AND SHOULD NOT BE USED WITHOUT WRITTEN PERMISSION					