

FEATURES

- Bobbin Format
- Up to 4.6A IDC
- 3.3 μ H to 680 μ H
- Optional Integral EMI Shield
- Low DC Resistance
- Surface Mounting
- Compact Size
- Tape and Reel Packaging

DESCRIPTION

The 2600 series is a range of bobbin wound surface mount inductors designed for use in switching power supply and power line filter circuits. The parts are suitable for any application requiring a high saturation current in a miniature surface mount footprint. Where EMI is a critical factor the devices are available with an integral ferrite EMI shield.

SELECTION GUIDE (UNSHIELDED TYPES) ¹						
Order Code	Nominal Inductance	Inductance Range	DC Resistance	Nominal Self DC Current Continuous ²	Resonant Frequency	Mechanical Dimensions
	μ H 1Hz, 100mV	μ H 1Hz, 100mV	MAX	A MAX	MHz 100mVrms	
263R3	3.3	2.13–3.95	0.035	4.40	53.0	1
264R7	4.7	3.41–6.34	0.045	3.60	37.0	
266R8	6.8	5.00–9.28	0.054	3.10	31.0	
26100	10	8.00–12.0	0.060	2.60	24.8	
26120	12	7.95–14.8	0.068	2.42	24.0	
26150	15	12.0–18.0	0.090	2.27	20.2	
26180	18	12.9–24.0	0.087	2.10	19.0	
26220	22	17.6–26.4	0.100	1.95	16.9	
26330	33	26.4–39.6	0.120	1.50	12.8	
26470	47	42.3–51.7	0.170	1.28	10.2	
26680	68	61.2–74.8	0.220	1.11	8.37	
26101	100	90.0–110	0.350	0.97	6.56	
26151	150	135–165	0.470	0.78	5.20	
26221	220	198–242	0.730	0.66	4.00	
26331	330	297–363	1.150	0.52	3.14	
26471	470	423–517	1.480	0.42	2.54	
26681	680	612–748	2.250	0.28	1.97	

SELECTION GUIDE (EMI SHIELDED TYPES) ¹						
Order Code	Nominal Inductance	Inductance Range	DC Resistance	Nominal Self DC Current Continuous ²	Resonant Frequency	Mechanical Dimensions
	μ H 1Hz, 100mV	μ H 1Hz, 100mV	MAX	A MAX	MHz 100mVrms	
2653R3	3.3	2.69–5.46	0.033	4.60	46.0	2
2654R7	4.7	3.58–7.15	0.038	3.80	38.0	
2656R8	6.8	4.60–8.97	0.043	3.21	30.0	
265100	10	8.00–12.0	0.050	2.65	22.9	
265120	12	8.42–15.9	0.058	2.55	21.0	
265150	15	12.0–18.0	0.060	2.45	19.7	
265180	18	13.4–25.6	0.074	2.32	16.0	
265220	22	18.7–26.4	0.070	2.20	15.5	
265330	33	28.1–39.6	0.100	1.80	11.5	
265470	47	40.0–56.4	0.120	1.50	9.44	
265680	68	57.8–81.6	0.170	1.26	7.47	
265101	100	85.0–120	0.250	1.05	6.04	
265151	150	128–180	0.400	0.85	4.67	
265221	220	187–264	0.520	0.70	3.75	
265331	330	281–396	0.800	0.57	2.87	
265471	470	400–564	1.200	0.48	2.33	
265681	680	578–816	1.780	0.40	1.83	

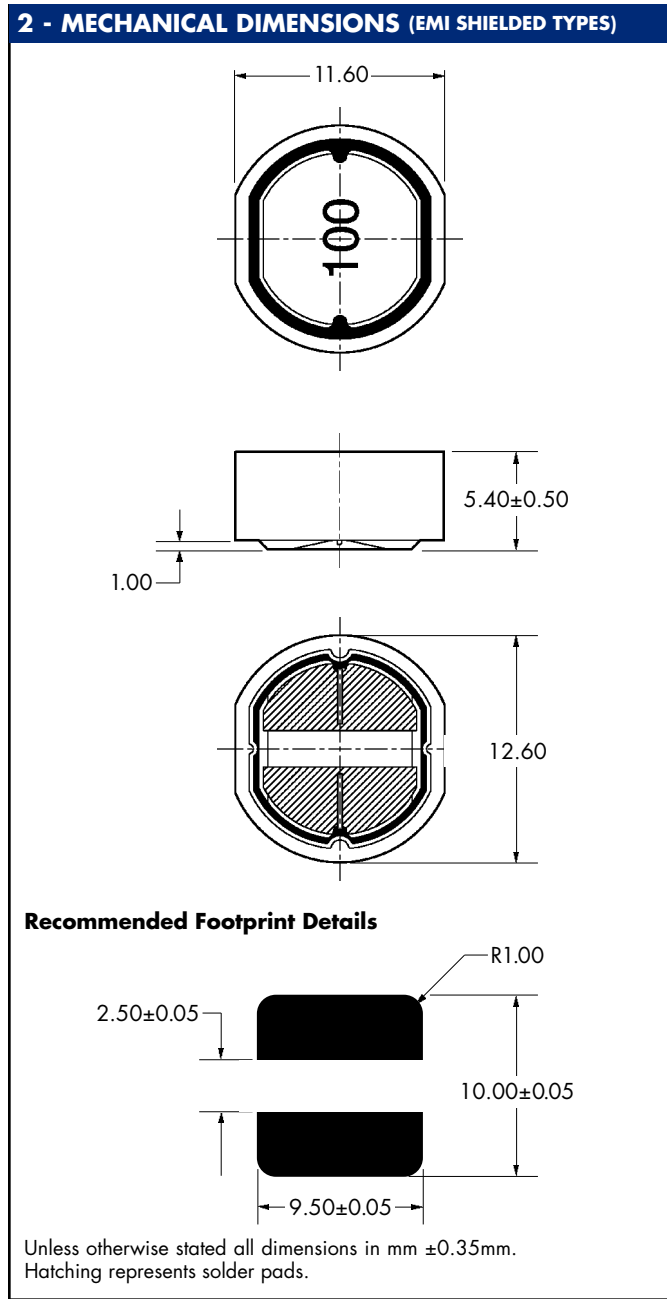
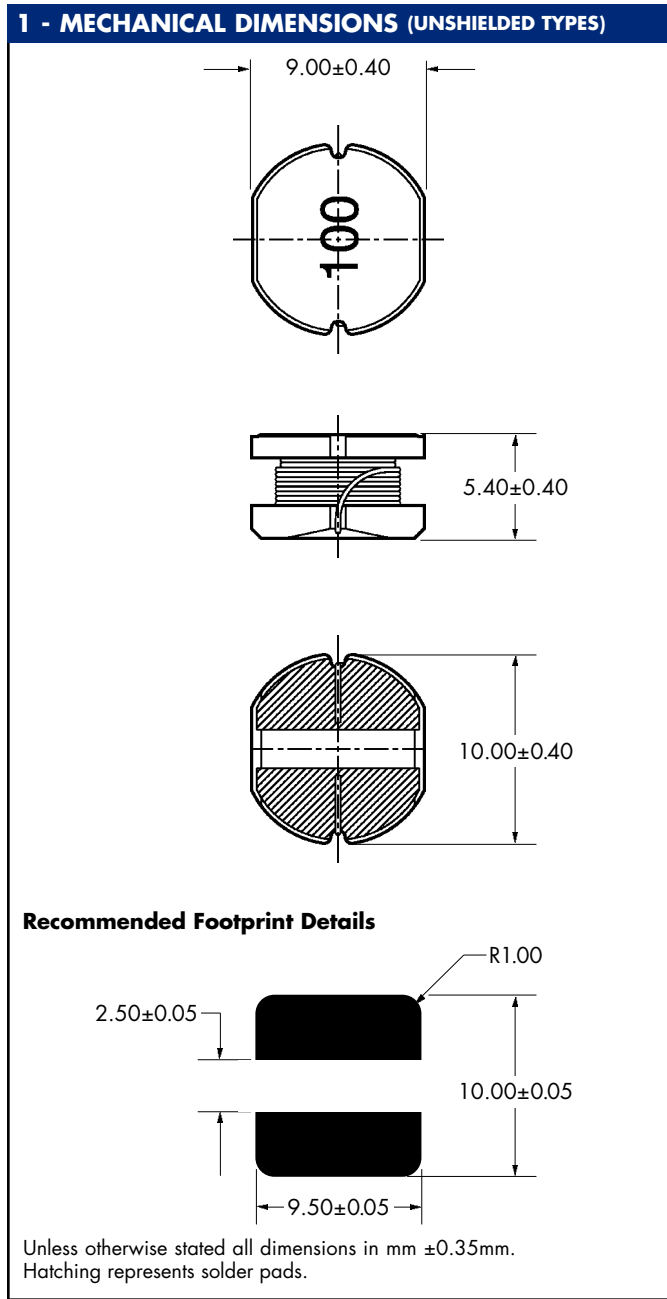
ABSOLUTE MAXIMUM RATINGS	
Operating free air temperature range	–40°C to 85°C
Storage temperature range	–40°C to 125°C

1 Specifications typical at T_A =25°C
 2 The maximum DC current is the value at which the inductance falls to 80% of its nominal value or until its temperature rise reaches 40°C, whichever is sooner.



2600 SERIES

Bobbin Wound Surface Mount Inductors



PACKAGE DETAILS		
Order Code	TYP Weight (g)	Packaging Style
26XXX	1.54	Tape & Reel ¹
26SXXX	2.34	

¹ For tape and reel packaging details refer to datasheet NDCAN002

C&D Technologies (NCL) Limited reserve the right to alter or improve the specification, internal design or manufacturing process at any time, without notice. Please check with your supplier or visit our web site to ensure that you have the current and complete specification for your product before use.
© C&D Technologies (NCL) Limited 2001 NMP 2600.3

No part of this publication may be copied, transmitted or stored in a retrieval system or reproduced in any way including, but not limited to, photography, photocopy, magnetic or other recording means, without prior written permission from C&D Technologies (NCL) Limited.

Instructions for use are available from www.dc-dc.com

C&D Technologies (NCL) Ltd
Tanners Drive, Blakelands North
Milton Keynes MK14 5BU, England
Tel: +44 (0)1908 615232
Fax: +44 (0)1908 617545
email: info@cdtechno-ncl.com

[www: http://www.dc-dc.com](http://www.dc-dc.com)

C&D Technologies (NCL), Inc.
5816 Creedmoor Road, Raleigh
NC 27612, USA
Tel: +1 (919) 571-9405
Fax: +1 (919) 571-9262
email: info@us.cdtechno-ncl.com