

SCC 1000™

Static Shielding Bag ~ Metal-In

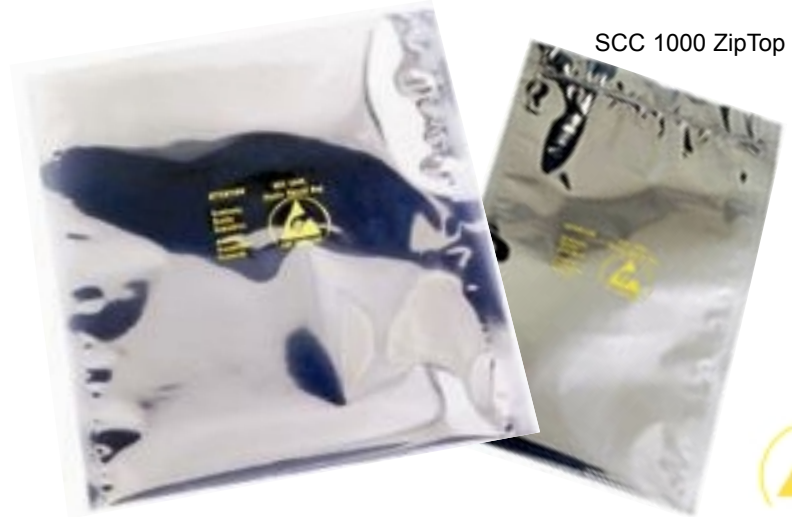
This transparent, metallized static shield bag provides a static safe environment for sensitive electronic devices. Four layer construction. Polyester dielectric and metal layer provide Faraday effect shielding of ESD and fields. Tribocharging is minimized by the specially processed polyethylene. Flat and zipper closure styles. Coded for QC traceability.

Standards

Meets the requirements of MIL-PRF-81705 Type III, EIA 541, EIA 625, MIL-HDBK-263, MIL-STD-1686, and EOS/ESD Standards.

Specifications

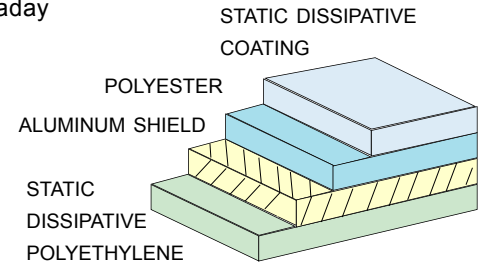
| | | | |
|----------------------------------|--|-------------------------------|-------------------------------------|
| Electrical Properties: | | Typical Values | |
| Surface Resistivity / Resistance | | ASTM D257 | or ANSI/ESD STM11.11 |
| Interior | | <10 ¹² ohms/square | or <10 ¹¹ ohms |
| Exterior | | <10 ¹² ohms/square | or <10 ¹¹ ohms |
| Metal | | 100 ohms | |
| Static Shielding | | < 30 volts | MIL-PRF-81705, EIA 541 |
| Static Shielding | | < 10 nJ | EOS/ESD S11.31 |
| Static Decay | | < 0.05 seconds | MIL-PRF-81705, FTMS 101 MTH 4046 |
| Charge Generation | | | |
| Teflon | | 0.09 nC/sq.in. | Modified Inclined Plane |
| Quartz | | 0.01 nC/sq.in. | |
| Physical Properties: | | | |
| Tensile Strength | | >25 lbs | ASTM D 882 |
| Seam Strength | | Pass | MIL-PRF-81705 |
| Light Transmission | | 40 % | Tobias |
| Heat Sealing Conditions | | | |
| Temperature | | 250 F - 375 F | |
| Time | | 0.5 - 3.5 seconds | |
| Pressure | | 30 - 70 PSI | |
| Thickness | | 3.1 mils | SCC 008 |
| Outgassing | | Pass | ASTM E595 |
| Non-corrosive | | Pass | FTMS 101 MTH 3005 |



SCC 1000 with Open Top

Material Structure

SCC 1000 open top and ZipTop static shielding bags are manufactured from industry approved Polyester/Metal/Polyethylene laminates. The polyester dielectric in concert with the metal layer provide Faraday Effect shielding of an Electrostatic Discharge (ESD). The metal layer prevents the penetration of damaging electrostatic fields. Tribocharging is minimized by the specially processed polyethylene.



See SCC Data Sheets for these related items:

- Static Warning Labels
- Heat Sealer

P R O D U C T D A T A S H E E T

SCC 1000 Static Shielding Bag METAL-IN

| PRODUCT | ITEM NUMBER | DATASHEET |
|---|-------------|-----------|
| STATIC SHIELDING BAG, OPEN TOP AND ZIPTOP | 100(W")(L") | 1100-A |



US and Canada: 866-722-3736
 Fax: 866-722-3735
 Intl: 919-774-3808
 Fax: 919-774-1287
 3010 Lee Avenue Sanford, NC 27330
 email: info@staticcontrol.com
 www.StaticControl.com

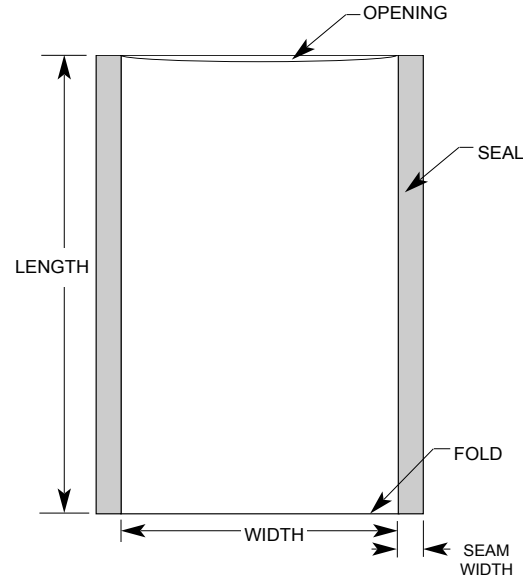
SCC 1000™

Open Top Static Shielding Bag ~ Metal-In

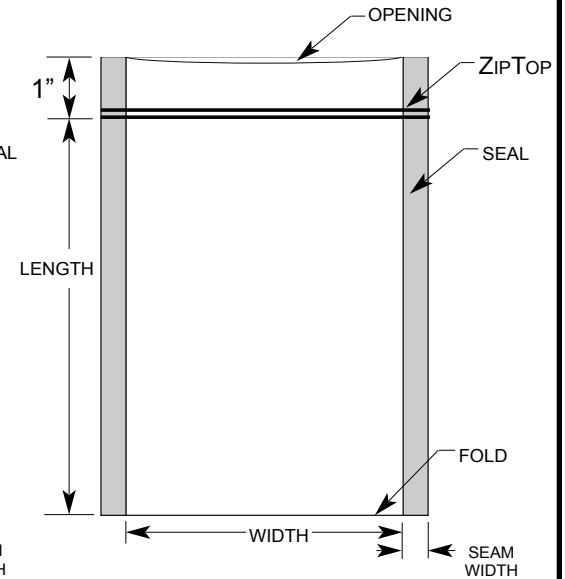
| W"x L" | P/N | W"x L" | P/N | W"x L" | P/N |
|----------|----------|---------|---------|---------|---------|
| 2 x 3 | 10023 | 7 x 8 | 10078 | 12 x 18 | 1001218 |
| 2 x 4 | 10024 | 7 x 10 | 100710 | 12 x 24 | 1001224 |
| 2 x 6 | 10026 | 7 x 11 | 100711 | 12 x 25 | 1001225 |
| 3 x 5 | 10035 | 7 x 15 | 100715 | 12 x 30 | 1001230 |
| 4 x 4 | 10044 | 7 x 16 | 100716 | 14 x 16 | 1001416 |
| 4 x 6 | 10046 | 8 x 8 | 10088 | 14 x 18 | 1001418 |
| 4 x 8 | 10048 | 8 x 10 | 100810 | 14 x 20 | 1001420 |
| 4 x 24 | 100424 | 8 x 12 | 100812 | 14 x 30 | 1001430 |
| 4 x 26 | 100426 | 8 x 14 | 100814 | 15 x 18 | 1001518 |
| 4 x 30 | 100430 | 8 x 16 | 100816 | 16 x 18 | 1001618 |
| 5 x 6 | 10056 | 8 x 18 | 100818 | 16 x 20 | 1001620 |
| 5 x 7 | 10057 | 8 x 24 | 100824 | 16 x 24 | 1001624 |
| 5 x 8 | 10058 | 8 x 30 | 100830 | 16 x 30 | 1001630 |
| 5 x 10 | 100510 | 9 x 12 | 100912 | 18 x 18 | 1001818 |
| 6 x 8 | 10068 | 10 x 12 | 1001012 | 18 x 20 | 1001820 |
| 6 x 9 | 10069 | 10 x 14 | 1001014 | 18 x 24 | 1001824 |
| 6 x 10 | 100610 | 10 x 16 | 1001016 | 18 x 30 | 1001830 |
| 6 x 12 | 100612 | 10 x 18 | 1001018 | 20 x 20 | 1002020 |
| 6 x 14 | 100614 | 10 x 24 | 1001024 | 20 x 24 | 1002024 |
| 6 x 16 | 100616 | 10 x 26 | 1001026 | 22 x 24 | 1002224 |
| 6 x 18 | 100618 | 10 x 30 | 1001030 | 24 x 24 | 1002424 |
| 6 x 24 | 100624 | 11 x 14 | 1001114 | 24 x 30 | 1002430 |
| 6 x 26 | 100626 | 11 x 15 | 1001115 | 24 x 36 | 1002436 |
| 6 x 30 | 100630 | 12 x 12 | 1001212 | 30 x 24 | 1003024 |
| 6.5 x 10 | 1006.510 | 12 x 14 | 1001214 | | |
| 6.5 x 16 | 1006.516 | 12 x 16 | 1001216 | | |

- All standard sizes in-stock/same day shipment.
- Width is measured from inside seam to inside seam.
- Length is measured from the top edge to the bottom fold.
- Opening is in the "width" dimension.
- Custom bag sizes, custom printing, and custom hot stamping are available.
- Most sizes are packed 100 per case.
Small sizes are packed 1000 or 500 per case.

SCC 1000 Open Top



SCC 1000 ZipTop



SCC 1000 ZipTop™

Recloseable Static Shielding Bag ~ Metal-In

| W"x L" | P/N | W" x L" | P/N | W" x L" | P/N |
|--------|--------|---------|---------|---------|---------|
| 2 x 3 | 30023 | 6 x 24 | 300624 | 11 x 15 | 3001115 |
| 3 x 3 | 30033 | 6 x 30 | 300630 | 12 x 12 | 3001212 |
| 3 x 5 | 30035 | 7 x 15 | 300715 | 12 x 16 | 3001216 |
| 4 x 4 | 30044 | 8 x 8 | 30088 | 12 x 18 | 3001218 |
| 4 x 6 | 30046 | 8 x 10 | 300810 | 14 x 18 | 3001418 |
| 4 x 8 | 30048 | 8 x 12 | 300812 | 15 x 18 | 3001518 |
| 4 x 24 | 300424 | 9 x 12 | 300912 | 16 x 24 | 3001624 |
| 4 x 30 | 300430 | 10 x 10 | 3001010 | 18 x 18 | 3001818 |
| 5 x 8 | 30058 | 10 x 12 | 3001012 | 18 x 24 | 3001824 |
| 5 x 10 | 300510 | 10 x 14 | 3001014 | 20 x 24 | 3002024 |
| 6 x 8 | 30068 | 10 x 24 | 3001024 | 24 x 24 | 3002424 |
| 6 x 10 | 300610 | 10 x 30 | 3001030 | | |

P R O D U C T D A T A S H E E T

SCC 1000 Static Shielding Bag METAL-IN

PRODUCT
STATIC SHIELDING BAG, OPEN TOP AND ZIPTOP

ITEM NUMBER
100(W")(L")

DATASHEET
1100-A



US and Canada: 866-722-3736
 Fax: 866-722-3735
 Intl: 919-774-3808
 Fax: 919-774-1287
 3010 Lee Avenue Sanford, NC 27330
 email: info@staticcontrol.com
 www.StaticControl.com ©