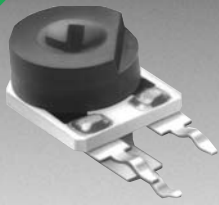


\*RoHS COMPLIANT



**BOURNS®**

**Features**

- 9 mm Round / Single-Turn / Cermet Industrial / Open Frame
- Both sides adjust
- Cross slot and hexagon adjustment designs
- Horizontal and vertical mounting styles
- Dust resistant/splash resistant covers
- PC board stand-offs and retention feature
- RoHS compliant\*

**3309 - 9 mm Round Trimming Potentiometer**

**Electrical Characteristics**

Standard Resistance Range .....100 ohms to 2 megohms  
 (see standard resistance table)  
 Resistance Tolerance .....±25 % std.  
 Absolute Minimum Resistance .....2 % max. (≤2K = 30 ohms)  
 Contact Resistance Variation ..3 % max.  
 Resolution.....Essentially infinite  
 Adjustment Angle .....235 ° nom.

**Environmental Characteristics**

Power Rating (250 volts max.)  
 70 °C .....0.5 watt  
 Temperature Range .....-25 °C to +100 °C  
 Temperature Coefficient .....±250 ppm/°C  
 Load Life .....1,000 hours 0.5 watt  
 @ 70 °C (5 % ΔTR)

**Physical Characteristics**

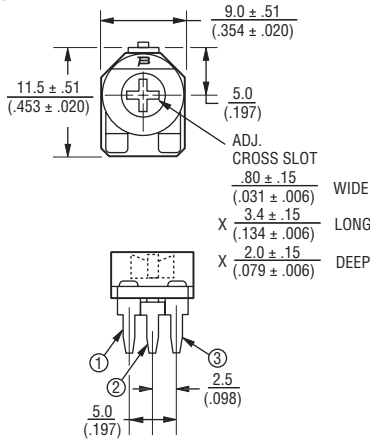
Mechanical Angle.....260 °±10 °  
 Torque (Operating).....5 oz-in. max.  
 Stop Strength .....11.0 oz -in. min.  
 Terminals .....Solderable pins  
 Marking .....Manufacturer's trademark, resistance code  
 Standard Packaging ....200 pcs. per bag  
 Adjustment Tool .....H-90  
 Aqueous cleaning not recommended

**How To Order**

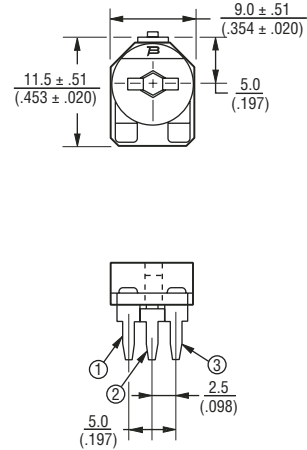
**3309 W - 2 - 103**

Model \_\_\_\_\_  
 Style \_\_\_\_\_  
 Rotor Style \_\_\_\_\_  
 -1 = Standard  
 -2 = Cross Slot/Single Slot Rear Adjust  
 -3 = 2 mm Hex Thru Hole  
 Resistance Code \_\_\_\_\_

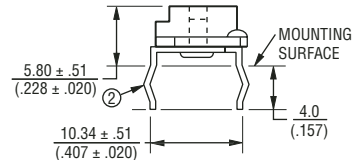
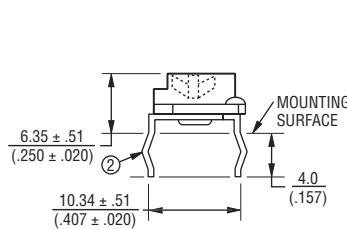
**Top/Bottom Adjust Common Dimensions 3309P**



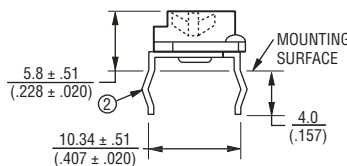
**3309P-3 Both Sides Adjust Hex**



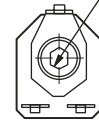
**3309P-1 Top Adjust**



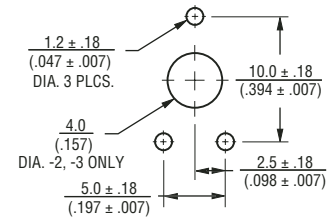
**3309P-2 Both Sides Adjust/Cross Slot**



HEX THRU HOLE 2.0 (.079) ACROSS FLATS

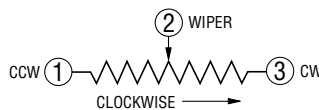


**SUGGESTED PWB LAYOUT - 3309P**



TOLERANCES: ± 0.25 (.010) EXCEPT WHERE NOTED

DIMENSIONS ARE:  $\frac{\text{MM}}{\text{(INCHES)}}$

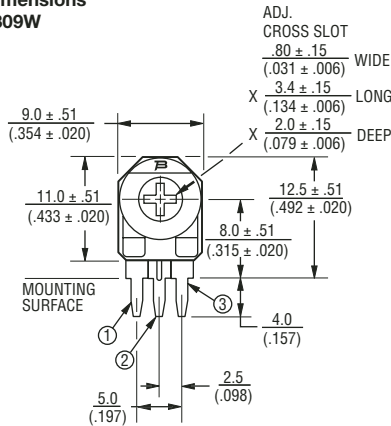


\*RoHS Directive 2002/95/EC Jan 27 2003 including Annex. Specifications are subject to change without notice. Customers should verify actual device performance in their specific applications.

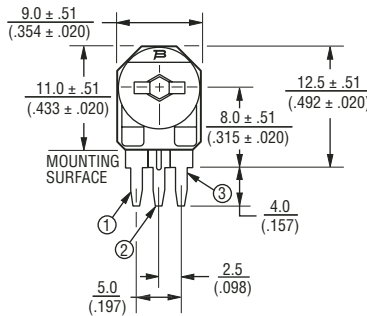
# 3309 - 9 mm Round Trimming Potentiometer

**BOURNS®**

## Side Adjust Common Dimensions 3309W



## 3309W-3 Both Sides Adjust Hex

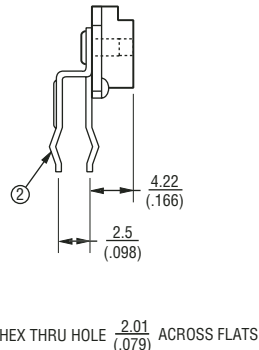
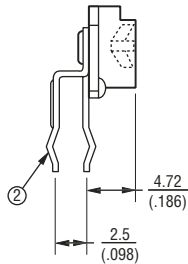


## Standard Resistance Table

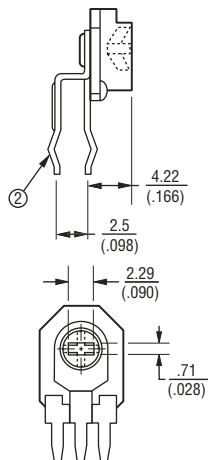
Resistance (Ohms)	Resistance Code
100	101
200	201
500	501
<b>1,000</b>	<b>102</b>
<b>2,000</b>	<b>202</b>
<b>5,000</b>	<b>502</b>
<b>10,000</b>	<b>103</b>
<b>20,000</b>	<b>203</b>
<b>25,000</b>	<b>253</b>
<b>50,000</b>	<b>503</b>
<b>100,000</b>	<b>104</b>
200,000	204
250,000	254
500,000	504
1,000,000	105
2,000,000	205

Popular distribution resistance values listed in boldface.

## 3309W-1 Single Side (Front) Adjust



## 3309W-2 Both Sides Adjust - Cross Slot



## SUGGESTED PWB LAYOUT - 3309W

