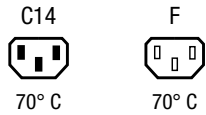


Distribution Unit for Screw-on Mounting with 1 IEC Appliance Inlet C14 and 1 -Connector F



Description

- Panel Mount:
Screw-on mounting, from front side appliance inlet/-outlet, Pin temperature 70 °C Protection class I Solder terminals or quick connect terminals

Approvals

- UL License Number: E45115
- CSA License Number: 1894886

References

[General Product Information](#)

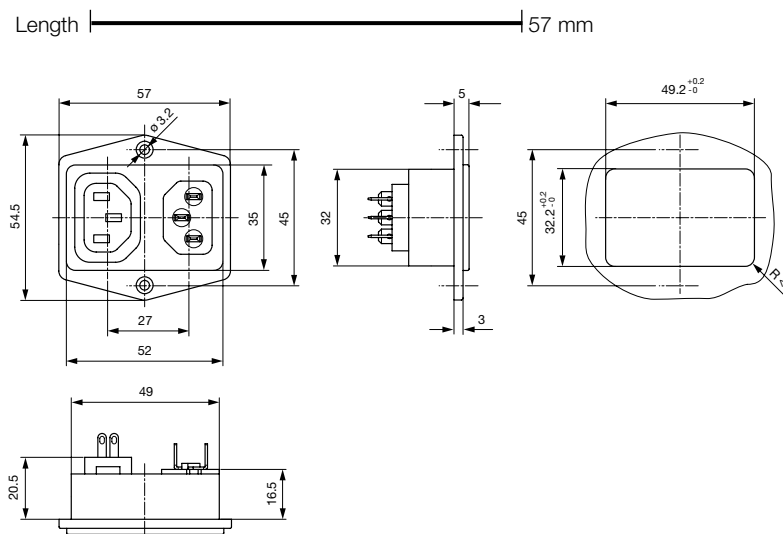
Weblinks

[Approvals](#), [RoHS](#), [CHINA-RoHS](#), [Mating Connectors](#), [e-Store](#), [SCHURTER-Stock-Check](#), [Distributor-Stock-Check](#), [Product Configurator](#)

Technical Data

Ratings IEC	10A / 250VAC; 50Hz	Appliance Inlet / Appliance Outlet	C14 acc. to IEC/EN 60320-1 F acc. to IEC/EN 60320-2-2
Ratings UL/CSA	15A / 250VAC; 60Hz		UL 498 CSA C22.2 no. 42 (for cold conditions) pin-temperature 70 °C, 10A, Protection Class 1
Dielectric Strength	> 3 kVAC between L-N > 1.5 kVAC between L/N-PE (1 min/50Hz)		
Allowable Operation Temp.	-25 °C to 70 °C		
Degree of Protection	from front side IP 20 acc. to IEC 60529		
Protection Class	Suitable for appliances with protection class 1 acc. to IEC 61140		
Terminal	Solder terminals or quick connect terminals Solder terminals or quick connect terminals		
Material: Housing	UL 94V-0		

Dimensions



length of the terminal please find at the order code configuration table

Konfigurationsschlüssel

Product Configurator

1051 - H - A B C 0 - D - E

The characters are placeholders for the correspondingly keys of selections from the key tables.

1051 - H - A B C 0 - D - E = Type

Type	Configuration key
protection class 1	X

1051 - H - A B C 0 - D - E = Terminals

Terminal L	Configuration key
short solder terminal (L=4,8mm)	2
long solder terminal (L=8,5mm)	3
blade terminal (4,8x0,8mm)	8
blade terminal (6,3x0,8mm)	9



1051 - H - A B C 0 - D - E = Terminals

Terminal N	Configuration key
short solder terminal (L=4,8mm)	2
long solder terminal (L=8,5mm)	3
blade terminal (4,8x0,8mm)	8
blade terminal (6,3x0,8mm)	9

Symbols similar as in table A

1051 - H - A B C 0 - D - E = Terminals

Terminal Ground	Configuration key
short solder terminal (L=4,8mm)	2
long solder terminal (L=8,5mm)	3
blade terminal (4,8x0,8mm)	8
blade terminal (6,3x0,8mm)	9

Symbols similar as in table A

1051 - H - A B C 0 - D - E = Color

Color	Configuration key
jet black; RAL9005	A
silver grey; RAL7001	B
pure white; RAL9010	D

standard color: black

1051 - H - A B C 0 - D - E = Style

Style	Configuration key
flange with countersunk holes	1
flange with through holes	2

Variants

Distributor-Stock-Check | SCHURTER-Stock-Check | e-Store

	Description	Order Number
1051-X-2220-A-100111	1051, IEC Distribution Unit C14 + F, 70°CI, L: short solder terminal (L=4,8mm), N: short solder terminal (L=4,8mm), ground: short solder terminal (L=4,8mm), terminals outlet L: solder terminal, terminals outlet L: solder terminal, ground: solder terminal, color: jet black; RAL9005, design:	4304.6003
1051-X-9990-A-100999	1051, IEC Distribution Unit C14 + F, 70°CI, L: blade terminal (6,3x0,8mm), N: blade terminal (6,3x0,8mm), ground: blade terminal (6,3x0,8mm), terminals outlet L: blade terminal (6,3x0,8mm), terminals outlet L: solder terminal, ground: blade terminal (6,3x0,8mm), color: jet black; RAL9005, design:	4304.6004

The listed variants should be available from stock Other versions on request www.schurter.com/contact

Packaging unit

50 Pcs