

IEC Appliance Connector C14 with Fuseholder 2-pole

Plug removal necessary for fuse replacement



**Description**

- Panel Mount:  
Screw-on from front or rear-side
- 2 Functions:  
Inlet Protection class I, fuse-links 5 x 20 mm 1- or 2-pole
- Solder terminals 3.8 x 0.8 mm or quick connect terminals 6.3 x 0.8 mm

**Characteristics**

- All single elements are already wired
- With slotted screw type fuseholder  
Fuse drawer meets requirements of medical standard IEC/EN 60601-1  
The fuse drawer can only be opened with the aid of a tool  
The fuseholder is accessible from the equipment front
- IP40 (fuseholder IP65)
- Qualified for use in equipment according IEC/EN 60950

**Other versions on request**

- For protection class II

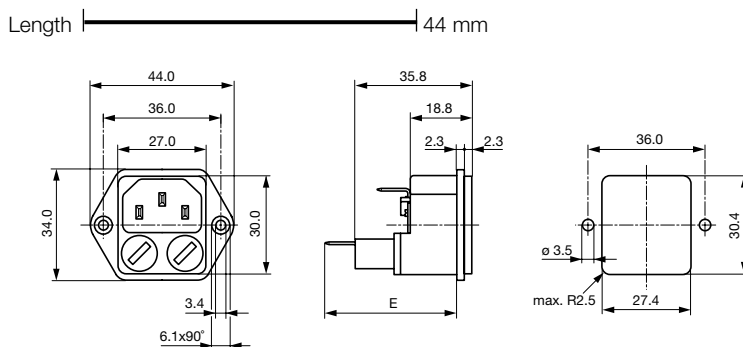
**Weblinks**

[Approvals](#), [RoHS](#), [CHINA-RoHS](#), [e-Store](#), [SCHURTER-Stock-Check](#), [Distributor-Stock-Check](#)

**Technical Data**

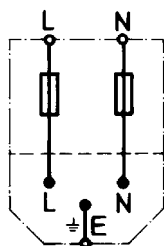
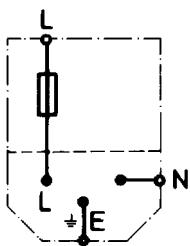
Ratings IEC	10 A / 250 VAC; Hz 50	Appliance-Inlet /-Outlet	C14 acc. to IEC/EN 60320-1, UL 498, CSA C22.2 no. 42 (for cold condition) pin-temperature 70 °C, 10 A, Protection class I
Ratings UL/CSA	10 A / 250 VAC; 60 Hz	Fuseholder	1 or 2 pole, Shocksafe category PC2 acc. to IEC 60127-6, for fuse-links 5 x 20 mm
Dielectric Strength	> 2 kVAC between L-N > 3 kVAC between L/N-PE (1 min/50 Hz)	Rated Power Acceptance @ Ta 23 °C	5 x 20: 1.6 W (1 pole)/ 1.6 W (2-pole) per pole
Allowable Operation Temp.	-25 °C to 70 °C	Power Acceptance @ Ta > 23 °C	Admissible power acceptance at higher ambient temperature see derating curves
Degree of Protection	from front side IP 40 acc. to IEC 60529		
Protection Class	Suitable for appliances with protection class I acc. to IEC 61140		
Terminal	Solder terminals or quick connect terminals		
Panel Thickness s	Screw-on: max 6 mm Mounting screw torque max 0.5 Nm		
Material: Housing	Thermoplastic, black, UL 94V-0		

**Dimensions**



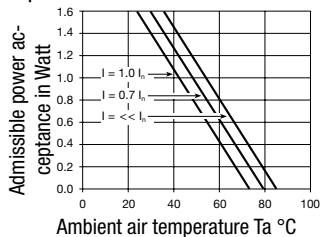
E: solder terminals = 37.6 mm  
E: quick-connect terminals = 41.0 mm

## Diagrams

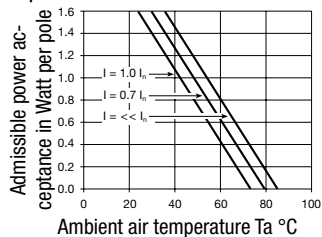


## Derating Curves for Fuseholders

1-pole



2-pole



## Variants

[Distributor-Stock-Check](#) | [SCHURTER-Stock-Check](#) | [e-Store](#)

Socket and fuse-carrier

Terminal	Fuseholder	Order Number
Quick connect terminals 6.3 x 0.8 mm	1 pole	4707.1000
Solder terminals	1 pole	4707.1300
Quick connect terminals 6.3 x 0.8 mm	2-pole	4707.2000
Solder terminals	2-pole	4707.2300

**Packaging unit** 100 Pcs

## Accessory

Description



Assorted Covers  
Rear Cover



Cord retaining kits  
Cord retaining strain relieve