



5082-2301

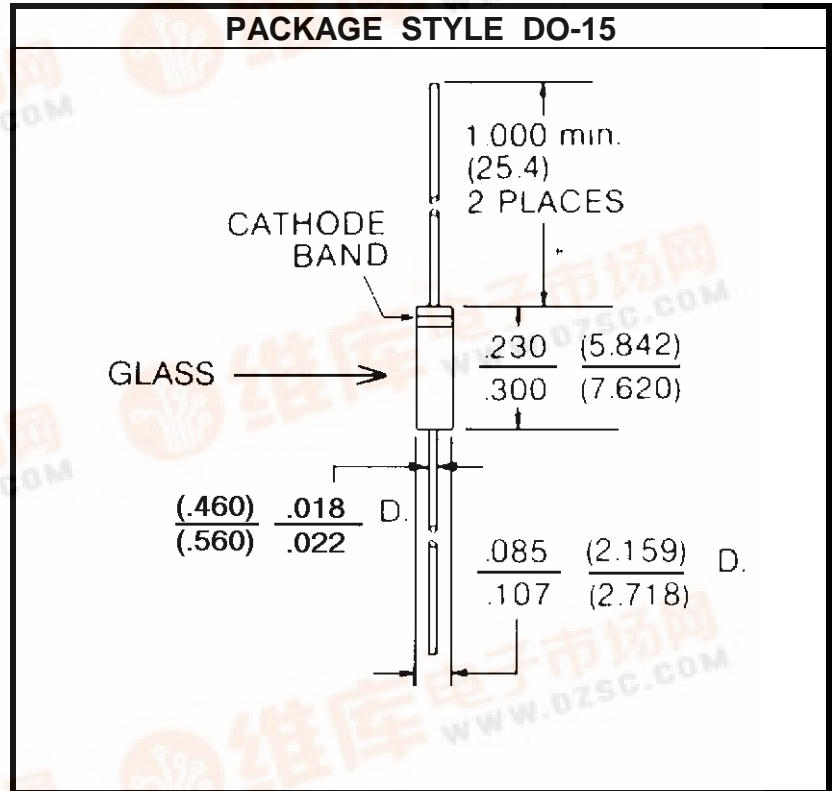
SCHOTTKY BARRIER DIODE

DESCRIPTION:

The **ASI 5082-2301** is a Silicon Small Signal Schottky Diode for General Purpose UHF/VHF Detection and Pulse Applications. Color Band Indicates Cathode.

MAXIMUM RATINGS

I_F	35 mA
V_R	30 V
P_{DISS}	250 mW @ $T_A = 25\text{ }^\circ\text{C}$
T_J	-60 °C to +200 °C
T_{STG}	-60 °C to +200 °C
θ_{JC}	700 °C/W



CHARACTERISTICS $T_C = 25\text{ }^\circ\text{C}$

SYMBOL	TEST CONDITIONS	MINIMUM	TYPICAL	MAXIMUM	UNITS
V_{BR}	$I_R = 10\text{ }\mu\text{A}$	30			V
I_R	$V_R = 15\text{ V}$			300	nA
V_F	$I_F = 1.0\text{ mA}$ $I_F = 50\text{ mA}$			0.4 1.0	V
C_T	$V_R = 0\text{ V}$ $f = 1.0\text{ MHz}$			1.0	pF
τ	$I_F = 20\text{ mA}$			100	pS

