

Datasheet  
Input / Output (General) Overview

[ Home > Products > (General) > Datasheet ]

# 54030-0472

0.80mm (.031") Pitch IEEE P1394a Shielded I/O PCB Socket Right Angle, PC Tail Length 2.80mm, Lead-free

View all parts in series 54030

3D Dimensions [Download Image](#) Samples Buy

Status	Active
Status - Eng.	Active
Access Level	Internet
Product Name	IEEE 1394
Circuits / Positions	4
Component	Receptacle
Application	Wire-to-Board
Pitch / Center Spacing	0.80mm (.031")
Shielded	Yes
Orientation	Right Angle

**RELATED PRODUCTS**

Mates With	59233-3xxx, 59233-5xxx, 59233-71xx, 59233-9xxx
Polarized to Mating Part	Yes
Lock to Mating Part	Detent

**MOUNTING**

Panel Mount	No
PCB Mounting	Through Hole
Surface Mount Compatible (SMC)	Yes
PCB Retention	Solder Tab - Straight
Shield PCB Retention Solder Tail	Yes
PCB Thickness	1.6mm (.062")

**ELECTRICAL**

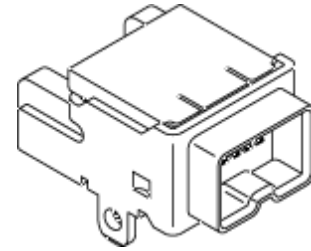
Current-max [amps]	0.5A
Voltage-max [volts]	5V
Withstanding Voltage	100V AC
Contact Resistance [ohms]	50 milliohms max. - Shell and Terminal
Insulation Resistance [ohms]	100 Megohms min.
Unmating Force - min. (total)	4.9N (1.10 lb)
Cable Pull-Out Force-min.	49.00N (11.02 lb)

**PHYSICAL**

Housing Material	PPS Polyphenylene Sulfide
Flammability	UL 94V-0
Contact	Phosphor Bronze (CuSn)
Plating Contact	0.76µm (30µ") Gold (Au)
Plating Tail	Tin (Sn)
Under Plating	Nickel (Ni)
Durability [mating cycles] min.	1000 cycles
Temperature Range	-25°C to +85°C

**REFERENCE**

Product Specification	PS-54030-037
-----------------------	--------------



**This part is  
ELV and RoHS  
COMPLIANT**

ENVIRONMENT	
RoHS Compliant	Yes
Lead-free Process Capability Tested	Yes
Lead-free Process Capability	Wave Capable (TH only)

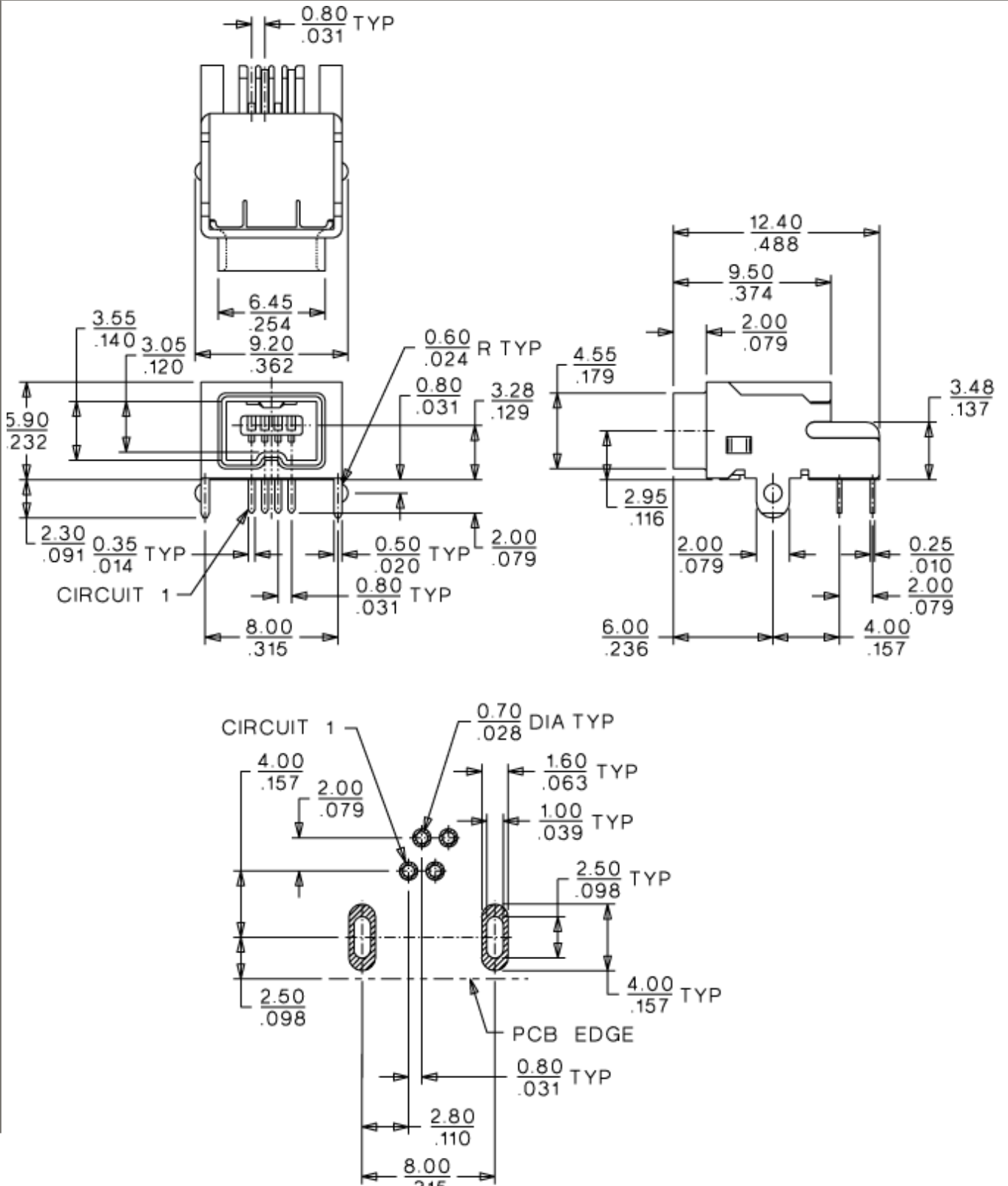
**Features and Benefits**

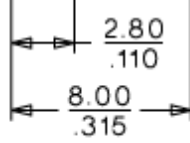
- Sizes 4 circuits
- Provides the interface for speeds up to 400 mbps
- Full metal shielding and recessed contacts for ESD protection
- High temperature plastic housing for SMT processing
- Detent lock provides secure mating retention
- Solder tabs and metal pegs provide secure pcb retention
- Surface Mount Compatible

Packaging	Tube
990 Catalog Page	Q3
Overview	IEEE 1394(4386)
Molex Series	54030
Publish Date	2004-12
Last Changed Date	2005-03
Product Management	J
Lab Office	J
Customer Approved	Matsushita Electric Industrial, Siemens, Sony

2D DRAWING - For reference only. See technical Drawing (PDF) for design-in purposes.

DIMENSIONS	
PC Tail Length	2.80mm (.110")
Designed In	Millimeters





PCB LAYOUT: COMPONENT SIDE  
RECOMMENDED PCB THICKNESS:  $\frac{0.80}{.031}$