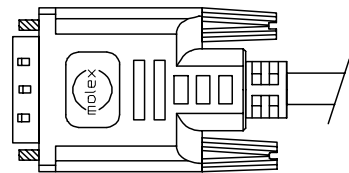
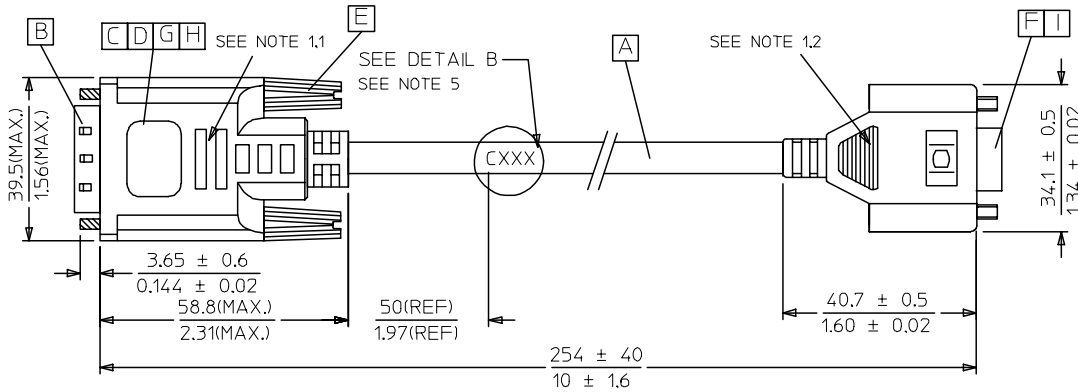
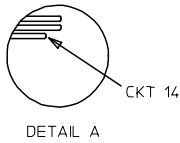
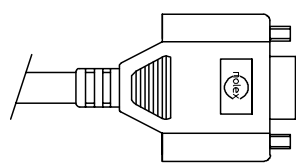


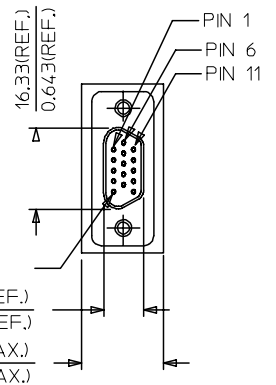
DVI_A(M)



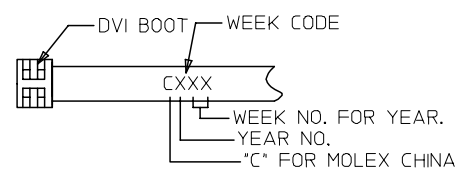
BACK SIDE



BACK SIDE



VGA(F)



DETAIL B

EC NO: DG2006-0096 DRWN:PDAI CHKD: APPR:TKAN	2005/10/19 2005/10/19 2005/10/20	DESCRIPTION REV	QUALITY SYMBOLS	GENERAL TOLERANCES (UNLESS SPECIFIED) mm INCH 4 PLACES ± --- ± --- 3 PLACES ± --- ± --- 2 PLACES ± --- ± --- 1 PLACE ± --- ± --- ANGULAR ± ---° DRAFT WHERE APPLICABLE MUST REMAIN WITHIN DIMENSIONS	DIMENSION STYLE	SCALE	DESIGN UNITS	THIRD ANGLE PROJECTION
			MM/IN		---	METRIC		
			DRAWN BY		DATE	TITLE		
			PDAI		2005/10/19	DVI-A(M) TO VGA(F) CABLE ASS'Y 10IN		
				APPROVED BY	DATE	MOLEX MOLEX INCORPORATED		
				ZXDENG	2005/10/19	MOLEX MOLEX INCORPORATED		
				MATERIAL NO.	DOCUMENT NO.			SHEET NO.
				68802-0024	SD-68802-024			1 OF 2
				SIZE	THIS DRAWING CONTAINS INFORMATION THAT IS PROPRIETARY TO MOLEX INCORPORATED AND SHOULD NOT BE USED WITHOUT WRITTEN PERMISSION			
				A 4				

7 6 5 4 3 2 1

E

NOTE: 1. OVERMOLD SPECIFICATION:

1.1 DVI BOOT MOLDED SNOW WHITE PVC RESIN 887800076, UL94V-0.

1.2 VGA OVERMOLDED WITH PVC BLUE RESIN 887800145,UL94V-0.

VGA INNERMOLDED WITH PE RESIN 887800008.

D

2. THE CODE PLEASE BE PRINTED ON THE SPACE.

3. THIS PRODUCT MUST MEET MX RoHS COMPLIANCE.

C

SHIELD	SHIELD	SHIELD	GROUND
C 5	PIN R6,G7,B8	RED,GRN,BLU	ANLOG GROUND
C 4	PIN 13	WHITE	HORIZONTAL SYNC
C 3	PIN 3	BLUE	ANLOG
C 2	PIN 2	GREEN	ANLOG
C 1	PIN 1	RED	ANLOG
PIN 15	PIN 5,10	ORANGE	GROUND(+5V & HV SYNC)
PIN 14,16	PIN 9	YEL/BRN	POWER +5V/HOT PLUG DETECT
PIN 8	PIN 14	RED	VERTICAL SYNC
PIN 7	PIN 12	GREEN	DDC DATA
PIN 6	PIN 15	BLACK	DDC CLOCK
DVI_A	VGA	COLOR	CABLE FUNCTION

B

I	VGA METAL CAN 887809056		1
H	DVI-I INNER EMI CAN 743260012		2
G	COPPER FOIL 887801082		1
F	VGA D-SUB CONNECTOR 887899274		1
E	DVI THUMB SCREW 887806005		2
D	EVC CRIMP FERRULE 737720001		1
C	DVI-I OUTER EMI CAN 743260011		1
B	DVI_A G/F CONNECTOR 743230011		1
A	DVI ANALOG CABLE IVORY 887808278	225(Ref.)	1
ITEM	DESCRIPTION	L	QTY.

A

EC NO: DG2006-0096 DRWN:PDAI CHKD: APPR:TKAN 2005/10/19 2005/10/19 2005/10/20	DESCRIPTION REV	QUALITY SYMBOLS	GENERAL TOLERANCES (UNLESS SPECIFIED)	DIMENSION STYLE	SCALE	DESIGN UNITS	THIRD ANGLE PROJECTION															
		$\nabla=0$ $\sphericalangle=0$	<table border="1"> <thead> <tr> <th></th> <th>mm</th> <th>INCH</th> </tr> </thead> <tbody> <tr> <td>4 PLACES</td> <td>±----</td> <td>±----</td> </tr> <tr> <td>3 PLACES</td> <td>±----</td> <td>±----</td> </tr> <tr> <td>2 PLACES</td> <td>±----</td> <td>±----</td> </tr> <tr> <td>1 PLACE</td> <td>±----</td> <td>±----</td> </tr> </tbody> </table> ANGULAR ±----°		mm	INCH	4 PLACES	±----	±----	3 PLACES	±----	±----	2 PLACES	±----	±----	1 PLACE	±----	±----	MM/IN	---	METRIC	
			mm	INCH																		
		4 PLACES	±----	±----																		
3 PLACES	±----	±----																				
2 PLACES	±----	±----																				
1 PLACE	±----	±----																				
		DRAWN BY: PDAI DATE: 2005/10/19 CHECKED BY: DATE: PDAI 2005/10/19 APPROVED BY: DATE: ZXDENG 2005/10/19	TITLE	DVI-(A)M TO VGA(F) CABLE ASS'Y 10IN																		
		DRAFT WHERE APPLICABLE MUST REMAIN WITHIN DIMENSIONS	MATERIAL NO.	DOCUMENT NO.	SHEET NO.																	
			68802-0024	SD-68802-024	2 OF 2																	
			SIZE $\Delta 4$	THIS DRAWING CONTAINS INFORMATION THAT IS PROPRIETARY TO MOLEX INCORPORATED AND SHOULD NOT BE USED WITHOUT WRITTEN PERMISSION																		

tb_frame_A4_P_ME_T
Rev. D 2004/04/02

6

5

4

3

2

1