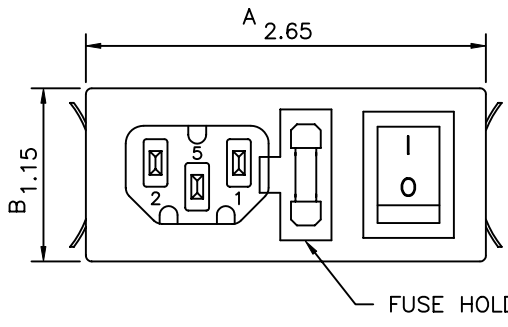
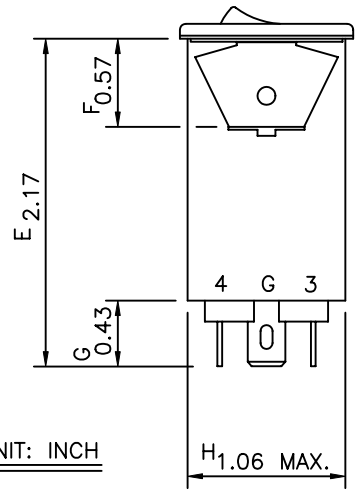
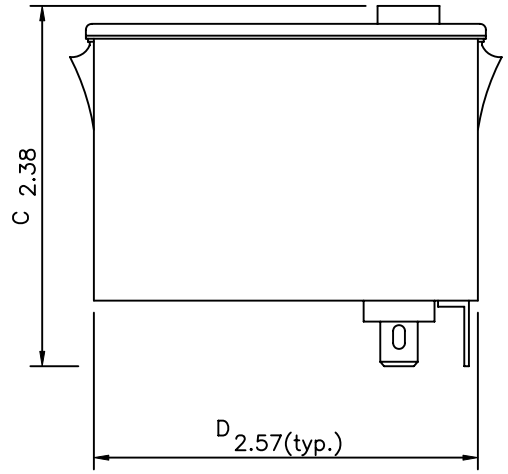
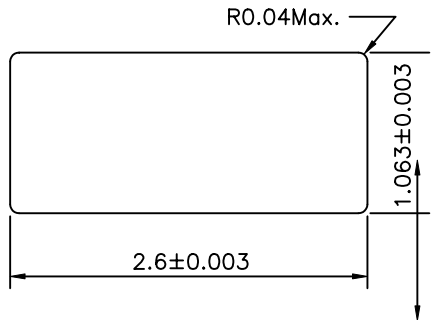


Revision			
Rev.	Description	Date	Approved

PHYSICAL DIMENSIONS:



- * SUGGESTED THICKNESS OF MOUNTING PANEL IS FROM 0.04 TO 0.07 INCH
- * SUGGEST MOUNTING CUTOUT



UNIT: INCH

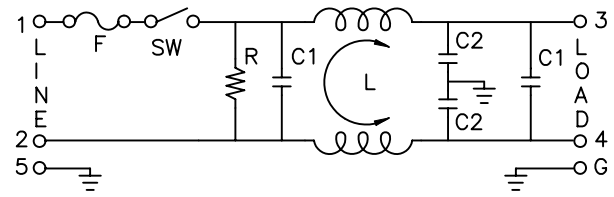
1. ELECTRICAL CHARACTERISTICS:

- 1-1. VOLTAGE RATING 115/250VAC
- 1-2. CURRENT RATING
 - A. AT 115VAC 6 A RMS Max.
 - B. AT 250VAC 6 A RMS Max.
- 1-3. OPERATING FREQUENCY..... 50/60 Hz
- 1-4. LEAKAGE CURRENT: EACH LINE TO GROUND
 - A. @115VAC 60Hz 0.25 mA MAX.
 - B. @250VAC 50Hz 0.45 mA MAX.
- 1-5. HIPOT RATING (FOR ONE MINUTE)
 - A. LINE TO GROUND 2250VDC
 - B. LINE TO LINE 1450VDC
- 1-6. TEMPERATURE RANGE: -25 TO +85 DEGREE C
- 1-7. MINIMUM INSERTION LOSS IN dB: (AT 50 OHM SYSTEM)

FREQ. MHz	.01	.05	.10	.15	.50	1.0	5.0	10	30
COM. MODE dB	/	/	15	16	25	30	42	45	40
DIF. MODE dB	/	/	6	6	30	48	40	40	40

1-8. SAFETY   

SCHEMATIC:



L: 1.3mH
 C1: 0.1uF
 C2: 3300pF
 R: 2.2MΩ

Dim range (mm)	Tolerance +/- (mm)	Qualtek Electronics Corp. PPC DIVISION		
		Part Number: 862-06/002		
0-1	0.15	Description:		
1-6	0.20	EMI FILTER MULTI-FUNCTION		
6-18	0.30			
18-50	0.50			
50-120	0.70	Drawn/Date	Checked/Date	Approved/Date
120-250	0.90	B.ZHANG	01-15-03	JJH/01-15-03
250-500	1.20	01-15-03		