

10/100BASE-T SINGLE PORT SURFACE MOUNT MAGNETICS

With Various Turns Ratios



- Meets IEEE 802.3 and ANSI X3.263 standards, including 350 μ H OCL with 8 mA bias
- Designed for reflow soldering at temperatures up to 235°C
- Compact footprint for use in the most space-restrictive applications

Electrical Specifications @ 25°C — Operating Temperature 0°C to 70°C

Part Number	Turns Ratio		Insertion Loss 100 kHz–100 MHz (dB MAX)	Return Loss (dB TYP)			Differential to Common Mode Rejection (dB TYP)			Crosstalk (dB TYP)			Hipot (Vrms MIN)
	TX	RX		30 MHz	60 MHz	80 MHz	30 MHz	50 MHz	100 MHz	30 MHz	60 MHz	100 MHz	
H1100	2:1	1:1	-1.1	-20	-14	-11.5	-42	-37	-33	-45	-40	-35	1500
H1101	1.25:1	1:1	-1.1	-20	-14	-11.5	-42	-37	-33	-45	-40	-35	1500
H1102	1:1	1:1	-1.1	-20	-14	-11.5	-42	-37	-33	-45	-40	-35	1500
H1211**	1:1	1:1	-1.1	-20	-14	-11.5	-42	-37	-33	-45	-40	-35	1500
H1212**	1:1	1:1	-1.1	-20	-14	-11.5	-42	-37	-33	-45	-40	-35	1500
H1121	1:1.414	1:1	-1.1	-18	-12	-11.5	-42	-37	-30	-45	-40	-35	1500
H1183	1:1	1:1	-1.0	-18	-14	-12	-40	-40	-40	-35	-35	-35	1500
H1199	1:1	1:1	-0.9	-18	-12	-11	-40	-35	-30	-45	-45	-37	1500
HX1188*	1:1	1:1	-1.0	-20	-14	-12	-42	-37	-32	-45	-40	-35	1500
HX1198*	1:1	1:1	-1.0	-20	-14	-12	-42	-37	-32	-45	-40	-35	1500

*Operating temperature -40°C to +85°C.

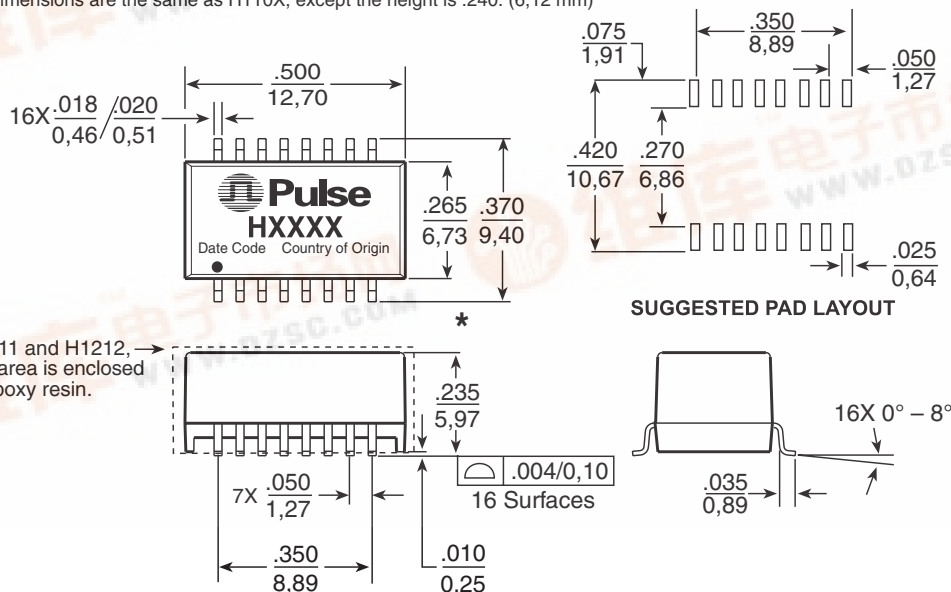
**The H1211 and H1212 are transfer moulded versions of H1102.

Mechanical

H110X, H121X**, H1121, H1183,* H1199, HX1188, HX1198

*For part number H1183, all dimensions are the same, except the height is .220" (5,59 mm).

**The H1211 and H1212 dimensions are the same as H110X, except the height is .240: (6,12 mm)



H1211 and H1212, this area is enclosed in epoxy resin.

Dimensions: Inches mm

Unless otherwise specified, all tolerances are $\pm .010 / 0,25$

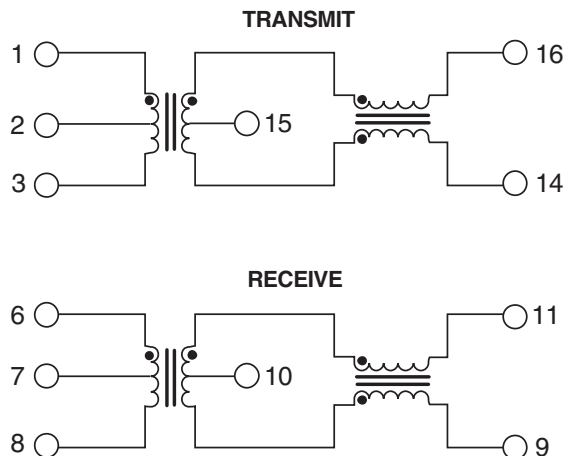
Weight 2.8 grams
 Tube 45/tube
 Tape & Reel . . . 600/reel

10/100BASE-T SINGLE PORT SURFACE MOUNT MAGNETICS With Various Turns Ratios

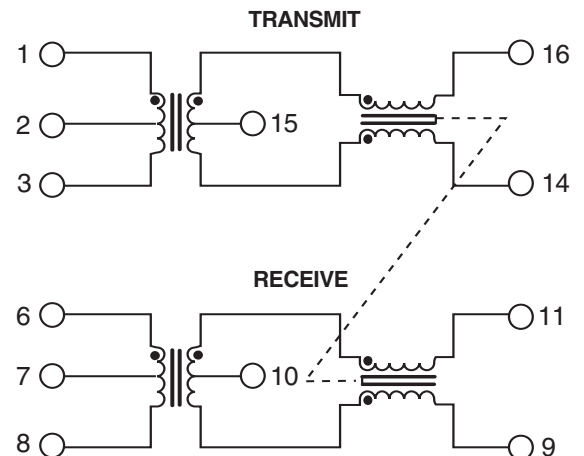


Schematics

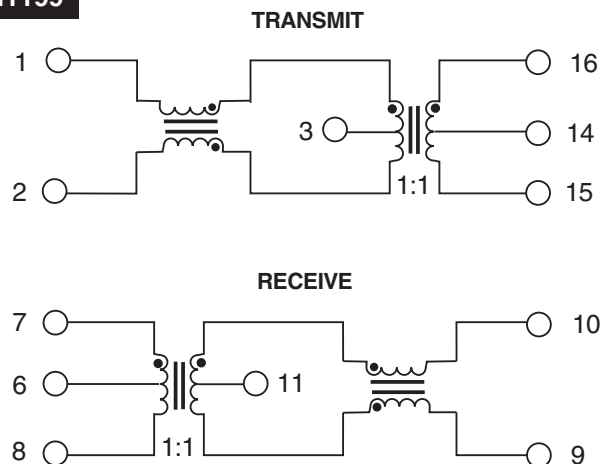
H110X, H1211, H1121, HX1188



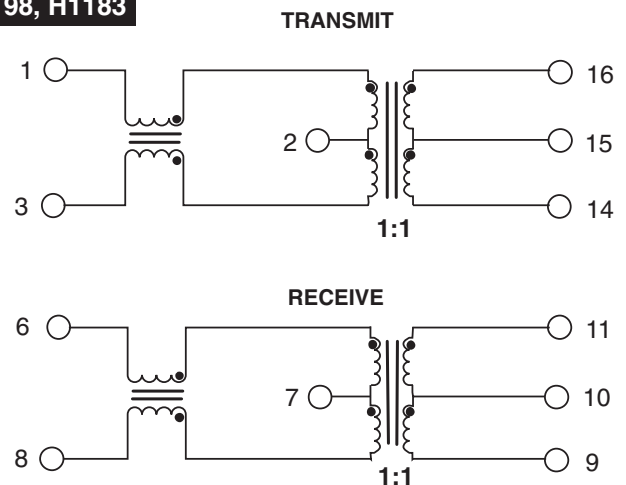
H1212



H1199



HX1198, H1183



For More Information :

UNITED STATES

(Worldwide)
12220 World Trade Drive
San Diego, CA 92128
U.S.A.
<http://www.pulseeng.com>
TEL: 858 674 8100
FAX: 858 674 8262

UNITED KINGDOM

(Northern Europe)
1 & 2 Huxley Road
The Surrey Research Park
Guildford, Surrey GU2 5RE
United Kingdom
TEL: 44 1483 401700
FAX: 44 1483 401701

FRANCE

(Southern Europe)
Zone Industrielle
F-39270
Orgelet
France
TEL: 33 3 84 35 04 04
FAX: 33 3 84 25 46 41

SINGAPORE

(Southern Asia)
150 Kampong Ampat
#07-01/02
KA Centre
Singapore 368324
TEL: 65 287 8998
FAX: 65 280 0080

TAIWAN, R.O.C.

(Northern Asia)
3F-4, No. 81, Sec. 1
HsinTai Wu Road
Hsi-Chih, Taipei Hsien
Taiwan, R.O.C.
Tel: 886 2 2698 0228
FAX: 886 2 2698 0948

DISTRIBUTOR