



EVERLIGHT ELECTRONICS CO., LTD.

DEVICE NUMBER : DMO-860-061 REV : 1.0
 ECN : _____ PAGE : 1/8

Infrared Remote-control Receiver Module

MODEL NO : IRM-8601S-5

■ Features :

- High protection ability to EMI and metal case can be customized.
- Mold type and metal case type to meet the design of front panel.
- Elliptic lens to improve the characteristic against
- Line-up for various center carrier frequencies.
- Low voltage and low power consumption.
- High immunity against ambient light.
- Photodiode with integrated circuit.
- TTL and CMOS compatibility.
- Long reception distance.
- High sensitivity.

■ Description :

- The device is a miniature type infrared remote control system receiver which has been developed and designed by utilizing the most updated IC technology. The PIN diode and preamplifier are assembled on lead frame, the epoxy package is designed as an IR filter. The demodulated output signal can directly be decoded by a microprocessor.

■ Applications :

1. Optical switch
 2. Light detecting portion of remote control
- AV instruments such as Audio, TV, VCR, CD, MD, etc.
 - Home appliances such as Air-conditioner, Fan , etc.
 - The other equipments with wireless remote control.
 - CATV set top boxes
 - Multi-media Equipment

| PART | MATERIAL | COLOR |
|-------|----------|--------------|
| Chip | Silicon | Black |
| Shell | Tinplate | Silver-white |





EVERLIGHT ELECTRONICS CO., LTD.

DEVICE NUMBER : DMO-860-061 REV : 1.0
ECN : _____ PAGE : 2/8

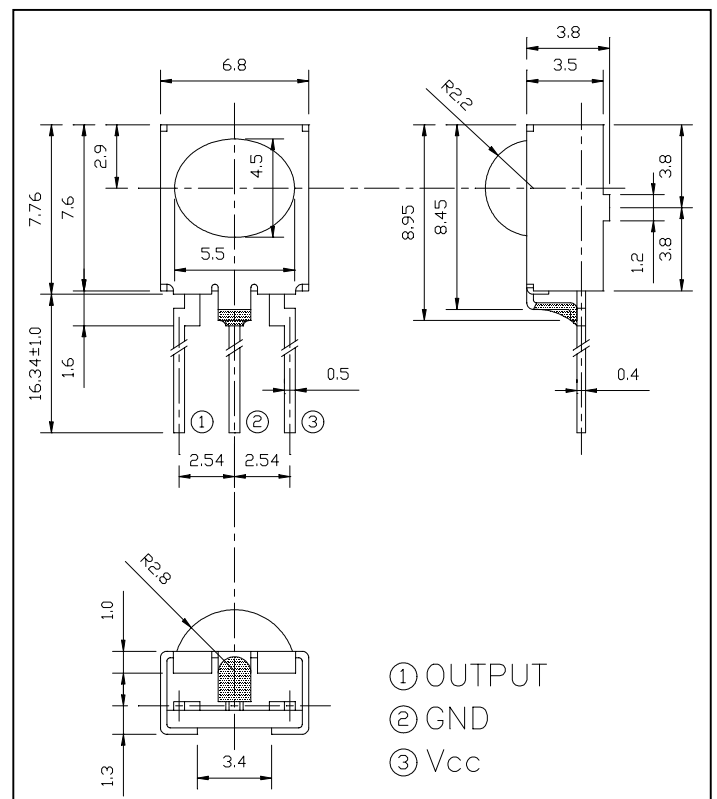
Infrared Remote-control Receiver Module

MODEL NO : IRM-8601S-5

NOTES :

1. This drawing measure is a standard value.
All dimensions are in millimeter.
2. In case of designation is tolerance $\pm 0.3\text{mm}$.
3. Lead spacing is measured where the lead emerge from the package.
4. Protruded resin under flange 1.0mm Max.
5. Lens color: Black.
6. Above specification may be changed without notice. EVERLIGHT will reserve authority on material change for above specification.
7. These specification sheets include materials protected under copyright of EVERLIGHT corporation. Please don't reproduce or cause anyone to reproduce them without EVERLIGHT consent.
8. When using this produce, please observe the absolute maximum ratings and the instructions for use outlined in these specification sheets. EVERLIGHT assumes no responsibility for any damage resulting from use of the product which does not comply with the absolute maximum ratings and the instructions included in these specification sheets.

Package Dimension :





EVERLIGHT ELECTRONICS CO., LTD.

DEVICE NUMBER : DMO-860-061 REV : 1.0
 ECN : _____ PAGE : 3/8

Infrared Remote-control Receiver Module

MODEL NO : IRM-8601S-5

■ Absolute Maximum Ratings at $T_A = 25^\circ\text{C}$

| Parameter | Symbol | Rating | Unit | Notice |
|-----------------------|------------------|-----------|------|---|
| Supply Voltage | V _{cc} | 0~6 | V | |
| Operating Temperature | T _{opr} | -30 ~ +85 | °C | |
| Storage Temperature | T _{stg} | -40 ~ +85 | °C | |
| Soldering Temperature | T _{sol} | 260 | °C | 4mm from mold body less than 5 seconds |

■ Electronic Optical Characteristics :

$T_A = 25^\circ\text{C}$

| Parameter | Symbol | MIN. | TYP. | MAX. | Unit | Condition |
|---------------------------|-----------------|--------|------|------|---------------|-----------------------|
| Supply Voltage | V _{cc} | 4.5 | 5 | 5.5 | V | DC voltage |
| Supply Current | I _{cc} | --- | --- | 3 | mA | No signal input |
| B.P.F Center Frequency | F _o | --- | 56.8 | --- | KHz | |
| Peak Wavelength | λ_p | --- | 940 | --- | nm | |
| Reception Distance | D | 8 4 | --- | --- | m | At the ray axis *1 |
| Half Angle(Horizontal) | Θ_h | --- | 45 | --- | deg | |
| Half Angle(Vertical) | Θ_v | --- | 35 | --- | deg | |
| High Level Pulse Width | T _H | 400 | --- | 800 | μs | At the ray axis *2 |
| Low Level Pulse Width | T _L | 400 | --- | 800 | μs | |
| High Level Output Voltage | V _H | 4.5 | --- | --- | V | |
| Low Level Output Voltage | V _L | --- | 0.2 | 0.5 | V | |





Infrared Remote-control Receiver Module

MODEL NO : IRM-8601S-5

■ Appendix of Page 3 :

- *1: The ray receiving surface at a vertex and relation to the ray axis in the range of $\theta = 0^\circ$ and $\theta = 45^\circ$.
- *2: A range from 30cm to the arrival distance. Average value of 50 pulses.

■ Test Method :

The specified electro-optical characteristics is satisfied under the following Conditions at the controllable distance.

① Measurement place

A place that is nothing of extreme light reflected in the room.

② External light

Project the light of ordinary white fluorescent lamps which are not high Frequency lamps and must be less than 10 Lux at the module surface.
($E_e \leq 10 \text{Lux}$)

③ Standard transmitter

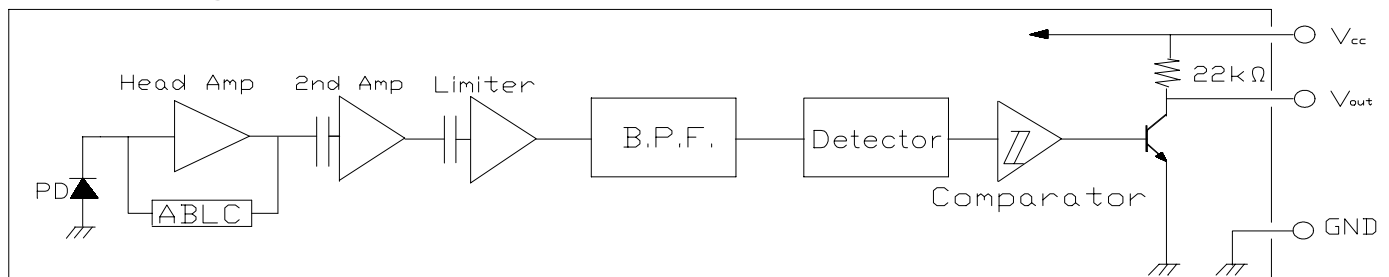
A transmitter whose output is so adjusted as to **$V_o = 400 \text{mVp-p}$** and the output Wave form shown in Fig.-1. According to the measurement method shown in Fig.-2 the standard transmitter is specified.

However, the infrared photodiode to be used for the transmitter should be $\lambda_p = 940 \text{nm}$, $\Delta\lambda = 50 \text{nm}$. Also, photodiode is used of PD438B ($V_r = 5 \text{V}$).
(Standard light / Light source temperature 2856°K).

④ Measuring system

According to the measuring system shown in Fig.-3

■ Block Diagram :

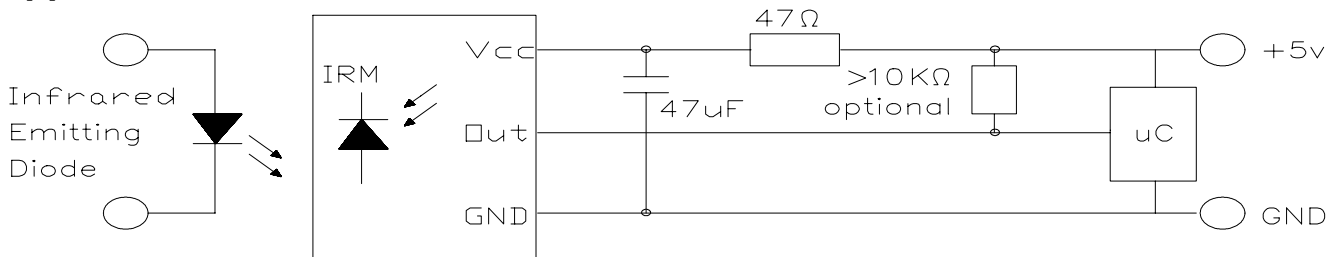




Infrared Remote-control Receiver Module

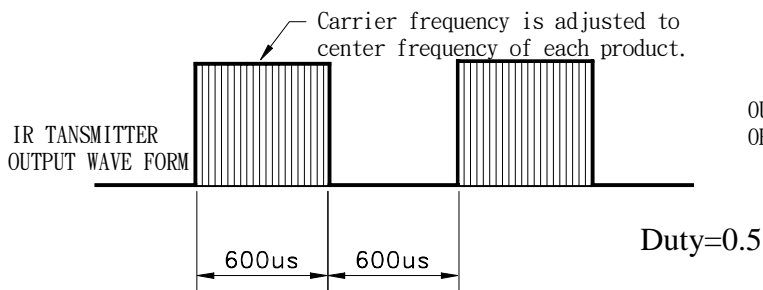
MODEL NO : IRM-8601S-5

■ **Application Circuit :**



RC Filter should be connected closely between Vcc pin and GND pin.

Fig.-1 Transmitter Wave Form



D.U.T output Pulse

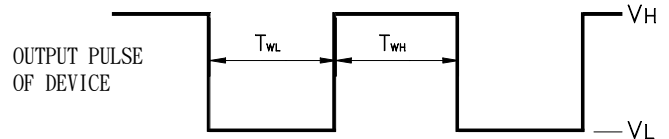


Fig.-2 Measuring Method

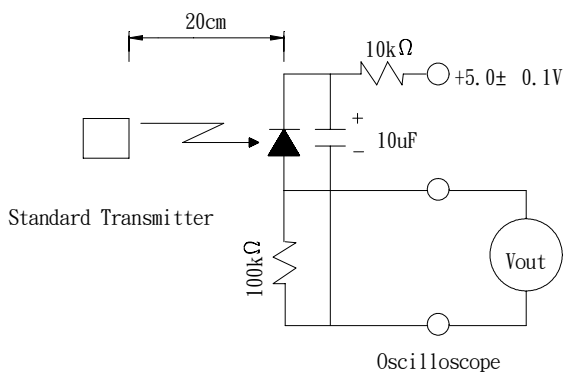
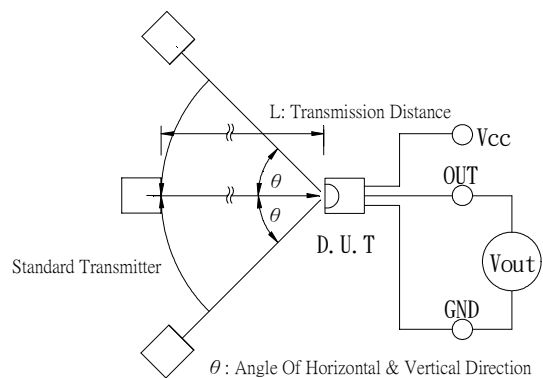


Fig.-3 Measuring System





Infrared Remote-control Receiver Module

MODEL NO : IRM-8601S-5

TYPICAL ELECTRICAL/OPTICAL/CHARACTERISTICS CURVES

Fig.-4 Relative Spectral Sensitivity vs. Wavelength

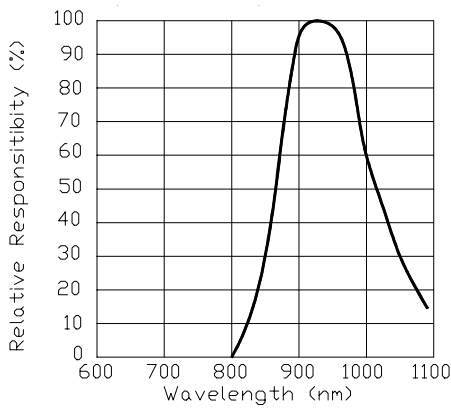


Fig.-5 Relative Transmission Distance vs. Direction

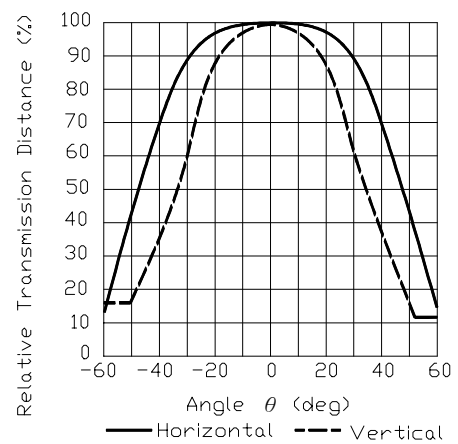


Fig.-6 Output Pulse Width vs. Arrival Distance

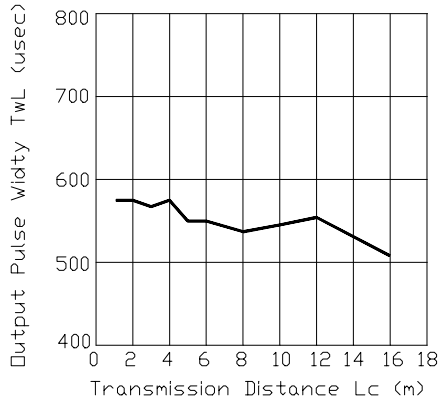


Fig.-7 Arrival Distance vs. Supply Voltage

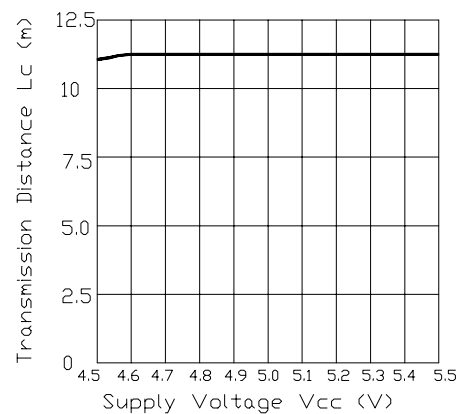


Fig.-8 Relative Transmission Distance vs. Center Carrier Frequency

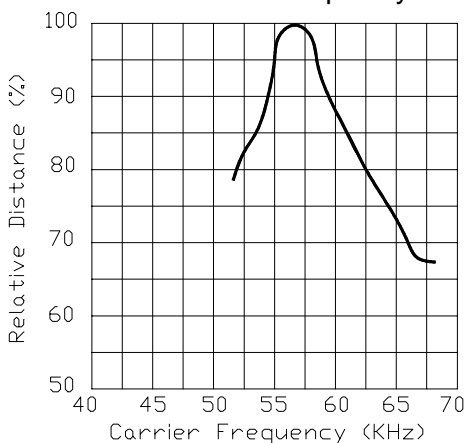
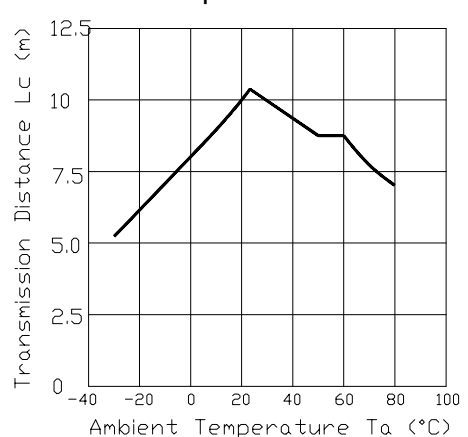


Fig.-9 Arrival Distance vs. Ambient Temperature





EVERLIGHT ELECTRONICS CO., LTD.

DEVICE NUMBER : DMO-860-061 REV : 1.0
ECN : _____ PAGE : 7/8

Infrared Remote-control Receiver Module

MODEL NO : IRM-8601S-5

■ Reliability Test Item And Condition

The reliability of products shall be satisfied with items listed below.
Confidence level: 90%
LTPD: 10%

| Test Items | Test Conditions | Failure Judgement Criteria | <u>Samples(n)</u> <u>Defective(c)</u> |
|--------------------------------|--|---|--|
| Operation life | Vcc=5V,Ta:25°C 1000hrs | $L_0 \leq L \times 0.8$ $L_{45} \leq L \times 0.8$ L: Lower specification limit | n=22,c=0 |
| Temperature cycle | 1 cycle -40°C +25°C +85°C (30min)(5min)(30min) 50 cycle test | | n=22,c=0 |
| Thermal shock | -10°C to +100°C (5min) (10sec) (5min) 50 cycle test | | n=22,c=0 |
| High temperature storage | Temp: +85°C 1000hrs | | n=22,c=0 |
| Low temperature storage | Temp: -40°C 1000hrs | | n=22,c=0 |
| High temperature High humidity | Ta: 85°C ,RH:85% 1000hrs | | n=22,c=0 |
| Solder heat | Temp: 260± 5°C 5sec 4mm From the bottom of the package. | | n=22,c=0 |
| Solderability | Temp: 230± 5°C 5sec 4mm From the bottom of the package. | | More than 90% of Lead to be covered by soldering |





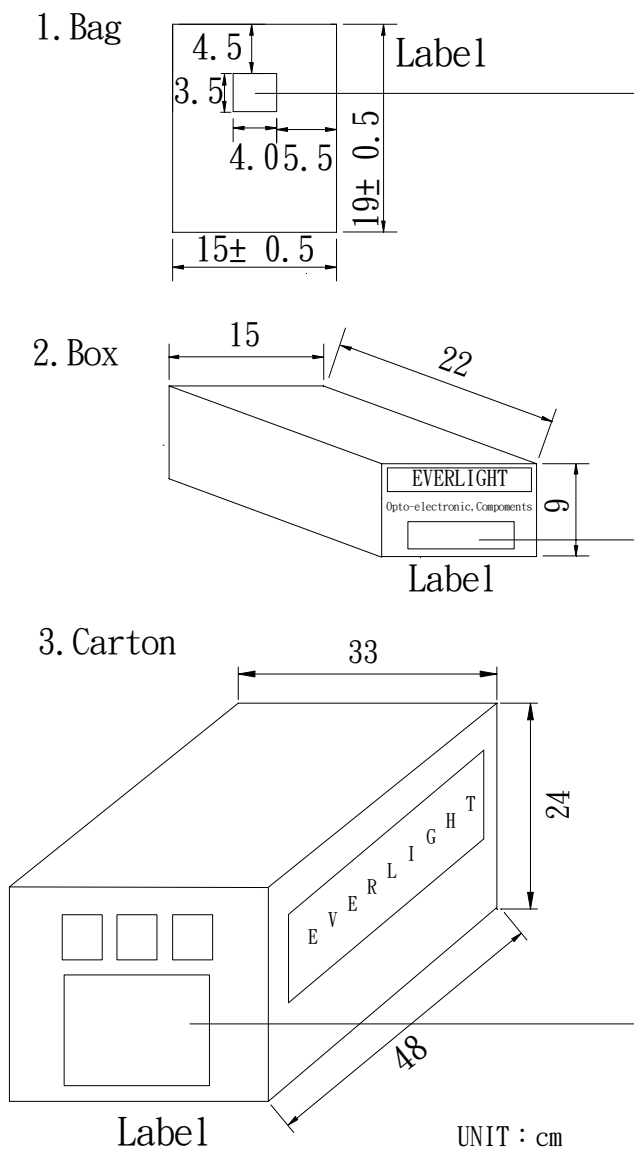
EVERLIGHT ELECTRONICS CO., LTD.

DEVICE NUMBER : DMO-860-061 REV : 1.0
ECN : _____ PAGE : 8/8

Infrared Remote-control Receiver Module

MODEL NO : IRM-8601S-5

■ Packing Specifications



EVERLIGHT

CPN:

P/N:

IRM-8601S-5

QTY:

CAT:

HUE:

REF:

LOT NO:

MADE IN TAIWAN

CPN : Customer's Production Number

P/N : Production Number

QTY : Packing Quantity

CAT : Ranks

HUE : Peak Wavelength

REF : Reference

LOT NO : Lot Number

MADE IN TAIWAN : Production place

■ Packing Quantity Specification

1. 250 Pcs/1Bag , 6 Bags/1Box

2. 10 Boxes/1Carton

