

IEC Appliance Connector C6 with Line Switch 1-pole



CMF3

C6

**Description**

- Panel Mount:
Screw-on mounting on PCB, from top or bottom
- 2 Functions:
Inlet Protection class I, Line switch 1-pole
- For PCB mounting
- Alternative: protection class II version [CMF1](#); [CMF2](#)

Characteristics

- Easy mounting with center bolt and snapper or screwed on PCB or housing
- Electrical connection done on the PCB
- Bi-positioning of the switch from left or right side, Standard CMF with switch on right side
- With or without rear-side insulation cover
- Qualified for use in equipment according IEC/EN 60950

Other versions on request

- Line switch with other rocker marking
- Line switch on left of inlet

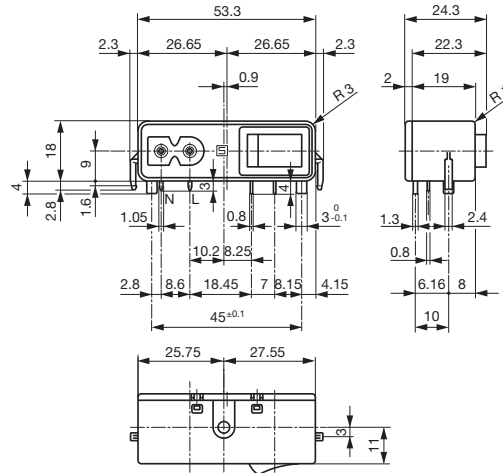
WeblinksApprovals: <http://www.schurter.com/approvals>RoHS: <http://www.schurter.com/rohs>**Technical Data**

Ratings IEC	2.5 A / 250 VAC; 50 Hz
Ratings UL/CSA	2.5 A / 125 VAC; 60 Hz
Dielectric Strength	> 2.3 kVAC between L-N > 2.8 kVAC between L/N-PE (1 min/50 Hz)
Allowable Operation Temp.	-25 °C to 70 °C
Degree of Protection	from front side IP 40 acc. to IEC 60529
Protection Class	Suitable for appliances with protection class I acc. to IEC 61140
Terminal	PCB 1.6 mm Additional ground terminal
Material: Housing	Thermoplastic, black, UL 94V-0

Appliance-Inlet /-Outlet	C6 acc. to IEC/EN 60320-1, UL 498, CSA C22.2 no. 42 (for cold condition) pin-temperature 70 °C, 2.5 A, Protection class I
Line Switch	Rocker switch 1 pole, non-illuminated, acc. to IEC 61058-1 Technical details

Dimensions

Length |-----| 53.3 mm

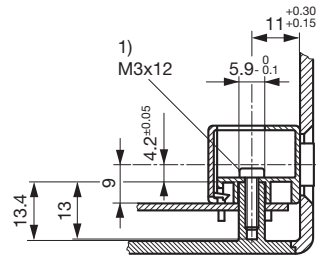
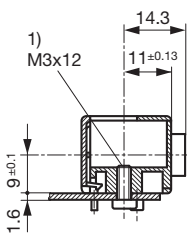


with insulation cover

The size of the mounting cut-out can be selected as required.

Fixation on PCB or housing from below

Fixation on PCB or housing from above

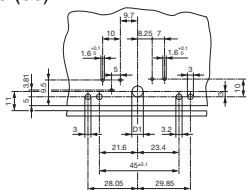


1) self tapping screw

1) self tapping screw

Drilling diagrams

CMF3 (C6)



d1 = 6.2 mm mounting from above

d1 = 3.6 mm mounting from below

PC Board 1.6 mm

Dimensions without tolerance <TAB/>

≤ 15 = ± 0.05 / > 15 = ± 0.10

Variants

Standard CMF with switch on right side

Appliance-inlet	Mounting side	Cover	Ground terminal	Ground terminal direction	Order Number
C6	from below		-	-	CMF3.1032.12
C6	from below		Solder terminal 2.8 x 0.8 mm	angled to pin axis	CMF3.1033.12
C6	from below		Solder terminal 2.8 x 0.8 mm	straight	CMF3.1034.12
C6	from below	●	-	-	CMF3.1132.12
C6	from below	●	Solder terminal 2.8 x 0.8 mm	angled to pin axis	CMF3.1133.12
C6	from below	●	Solder terminal 2.8 x 0.8 mm	straight	CMF3.1134.12
C6	from top		-	-	CMF3.1012.12
C6	from top		Solder terminal 2.8 x 0.8 mm	angled to pin axis	CMF3.1013.12
C6	from top		Solder terminal 2.8 x 0.8 mm	straight	CMF3.1014.12
C6	from top	●	-	-	CMF3.1112.12
C6	from top	●	Solder terminal 2.8 x 0.8 mm	angled to pin axis	CMF3.1113.12
C6	from top	●	Solder terminal 2.8 x 0.8 mm	straight	CMF3.1114.12

Packaging unit 50 Pcs