



LT1949

# 600kHz, 1A Switch PWM DC/DC Converter

## FEATURES

- 1A, 0.5Ω, 30V Internal Switch
- Operates with  $V_{IN}$  as Low as 1.5V
- 600kHz Fixed Frequency Operation
- Low-Battery Detector Stays Active in Shutdown
- Low  $V_{CESAT}$  Switch: 410mV at 800mA
- Pin-for-Pin Compatible with the LT1317B
- Small 8-Lead MSOP and SO Packages

## APPLICATIONS

- LCD Bias Supplies
- GPS Receivers
- Battery Backup
- Portable Electronic Equipment
- Diagnostic Medical Instrumentation

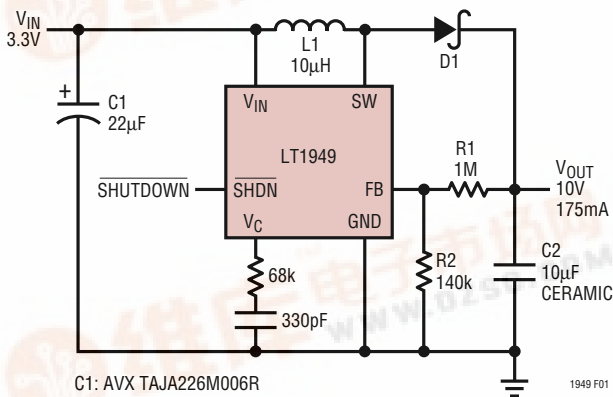
## DESCRIPTION

The LT<sup>®</sup>1949 is a fixed frequency step-up DC/DC converter with a 1A, 0.5Ω internal switch. Capable of generating 10V at 175mA from a 3.3V input, the LT1949 is ideal for generating bias voltages for large screen LCD panels. Constant frequency 600kHz operation results in a low noise output that is easy to filter and the 30V switch rating allows output voltage up to 28V using a single inductor. An external compensation pin gives the user flexibility in optimizing loop compensation, allowing small low ESR ceramic capacitors to be used at the output. The 8-lead MSOP and SO packages ensure a low profile overall solution.

The LT1949 includes a low-battery detector that stays alive when the device goes into shutdown. Quiescent current in shutdown is 25μA, while operating current is 4.5mA.

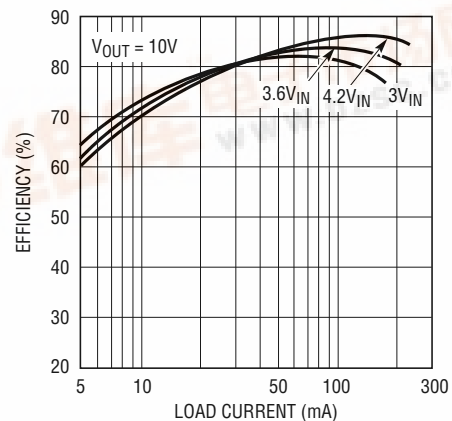
LT, LTC and LT are registered trademarks of Linear Technology Corporation.

## TYPICAL APPLICATION



C1: AVX TAJA226M006R  
C2: TAIYO YUDEN LMK325BJ106MN  
D1: MBRM120LT3  
L1: SUMIDA CDRH62B-100

1949 F01



1949 F02

Figure 1. 3.3V to 10V/175mA DC/DC Converter

Figure 2. 3.3V to 10V Converter Efficiency



# LT1949

## ABSOLUTE MAXIMUM RATINGS (Note 1)

$V_{IN}$ , LBO Voltage .....	12V	Junction Temperature .....	125°C
SW Voltage .....	-0.4V to 30V	Operating Temperature Range (Note 2)	
FB Voltage .....	$V_{IN} + 0.3V$	LT1949EMS8 .....	-40°C to 85°C
$V_C$ Voltage .....	2V	LT1949ES8/LT1949IS8 .....	-40°C to 85°C
LBI Voltage .....	$0V \leq V_{LBI} \leq 1V$	Storage Temperature .....	-65°C to 150°C
SHDN Voltage .....	6V	Lead Temperature (Soldering, 10sec) .....	300°C

## PACKAGE/ORDER INFORMATION

<p>MS8 PACKAGE 8-LEAD PLASTIC MSOP <math>T_{JMAX} = 125^{\circ}C, \theta_{JA} = 120^{\circ}C/W</math></p>	ORDER PART NUMBER	<p>S8 PACKAGE 8-LEAD PLASTIC SO <math>T_{JMAX} = 125^{\circ}C, \theta_{JA} = 120^{\circ}C/W</math></p>	ORDER PART NUMBER
	LT1949EMS8		LT1949ES8 LT1949IS8
	MS8 PART MARKING		S8 PART MARKING
	LTJC		1949E 1949I

Consult factory for Military grade parts.

## ELECTRICAL CHARACTERISTICS

The ● denotes specifications which apply over the full operating temperature range, otherwise specifications are  $T_A = 25^{\circ}C$ .  $V_{IN} = 2V$ ,  $V_{SHDN} = 2V$  unless otherwise noted.

SYMBOL	PARAMETER	CONDITIONS	MIN	TYP	MAX	UNITS	
$I_Q$	Quiescent Current	$V_{SHDN} = 0V$	●	4.5	7.5	mA	
			●	25	40	$\mu A$	
$V_{FB}$	Feedback Voltage		●	1.22	1.24	V	
			●	1.20	1.24	V	
$I_B$	FB Pin Bias Current (Note 3)		●	12	80	nA	
	Input Voltage Range		●	1.7	12	V	
$g_m$	Error Amp Transconductance	$\Delta I = 5\mu A$	●	70	140	$\mu mhos$	
$A_V$	Error Amp Voltage Gain			700		V/V	
	Maximum Duty Cycle		●	80	85	%	
	Switch Current Limit (Note 4)	$V_{IN} = 2.5V$ , Duty Cycle = 30%	●	1	1.13	A	
		$V_{IN} = 2.5V$ , Duty Cycle = 30%	●	0.95	1.5	A	
$f_{OSC}$	Switching Frequency		●	500	600	750	kHz
	Shutdown Pin Current	$V_{SHDN} = V_{IN}$	●		0.015	$\mu A$	
		$V_{SHDN} = 0V$	●		-2.3	$\mu A$	
	LBI Threshold Voltage		●	190	200	210	mV
			●	180	200	220	mV
	LBO Output Low	$I_{SINK} = 10\mu A$	●		0.15	0.25	V
	LBO Leakage Current	$V_{LBI} = 250mV, V_{LBO} = 5V$	●		0.02	0.1	$\mu A$
	LBI Input Bias Current (Note 5)	$V_{LBI} = 150mV$	●		5	60	nA
	Low-Battery Detector Gain	$1M\Omega$ Pull-Up			2000		V/V
	Switch Leakage Current	$V_{SW} = 5V$	●		0.01	3	$\mu A$

## ELECTRICAL CHARACTERISTICS

The ● denotes specifications which apply over the full operating temperature range, otherwise specifications are  $T_A = 25^\circ\text{C}$ .  $V_{IN} = 2\text{V}$ ,  $V_{\overline{\text{SHDN}}} = 2\text{V}$  unless otherwise noted.

SYMBOL	PARAMETER	CONDITIONS	MIN	TYP	MAX	UNITS
	Switch $V_{\text{CESAT}}$	$I_{\text{SW}} = 800\text{mA}$ $I_{\text{SW}} = 500\text{mA}$	●	410	400	mV mV
	Reference Line Regulation	$1.8\text{V} \leq V_{\text{IN}} \leq 12\text{V}$	●	0.08	0.15	%/V
	$\overline{\text{SHDN}}$ Input Voltage High		●	1.4	6	V
	$\overline{\text{SHDN}}$ Input Voltage Low		●		0.4	V

**Note 1:** Absolute Maximum Ratings are those values beyond which the life of a device may be impaired.

**Note 2:** The LT1949E is guaranteed to meet performance specifications from  $0^\circ\text{C}$  to  $70^\circ\text{C}$ . Specifications over the  $-40^\circ\text{C}$  to  $85^\circ\text{C}$  operating temperature range are assured by design, characterization and correlation with statistical process controls.

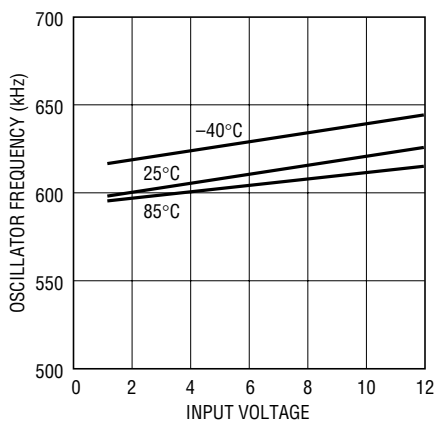
**Note 3:** Bias current flows into FB pin.

**Note 4:** Switch current limit guaranteed by design and/or correlation to static tests. Duty cycle affects current limit due to ramp generator.

**Note 5:** Bias current flows out of LBI pin.

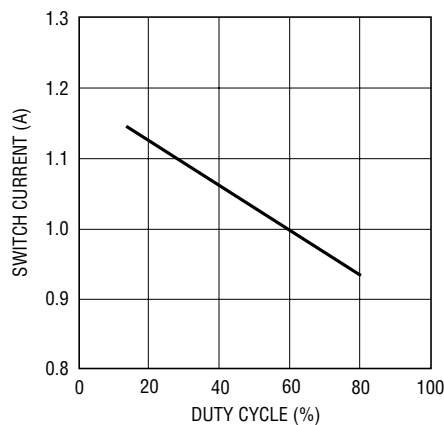
## TYPICAL PERFORMANCE CHARACTERISTICS

Oscillator Frequency



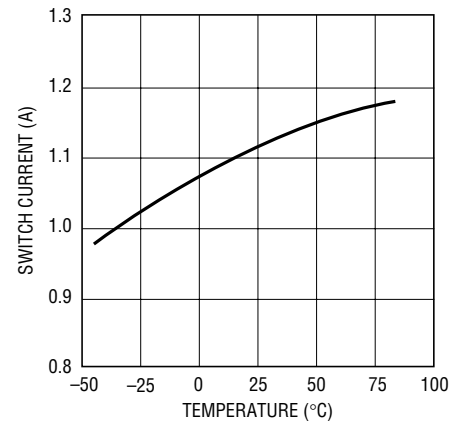
1949 G01

Switch Current Limit



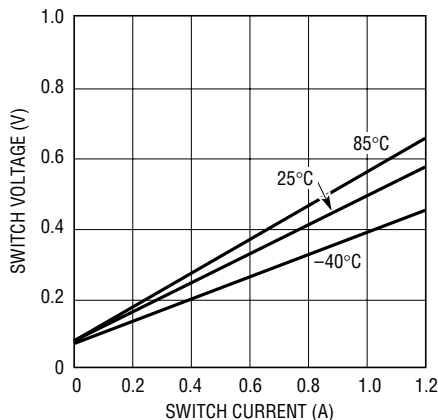
1949 G02

Switch Current Limit, Duty Cycle = 30%



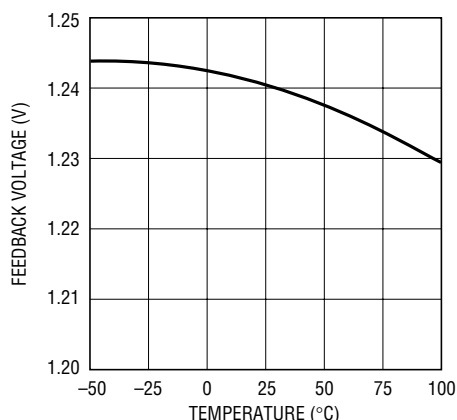
1949 G03

Switch Voltage Drop ( $V_{\text{CESAT}}$ )



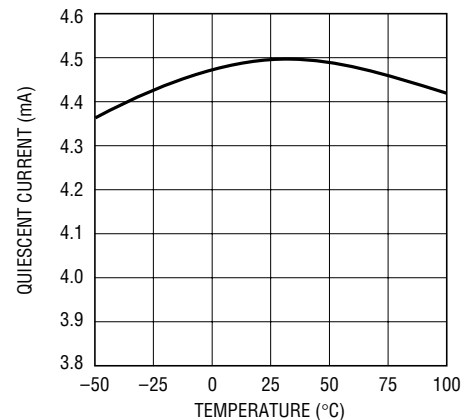
1949 G04

Feedback Voltage



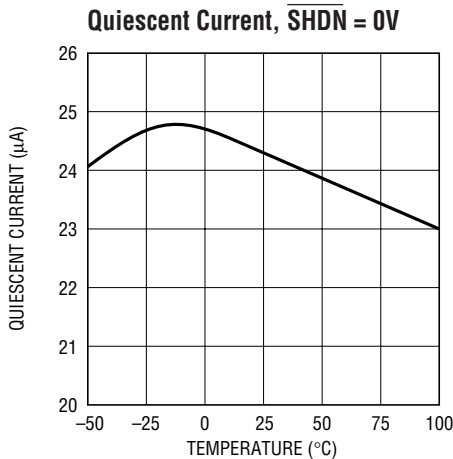
1949 G05

Quiescent Current,  $\overline{\text{SHDN}} = 2\text{V}$

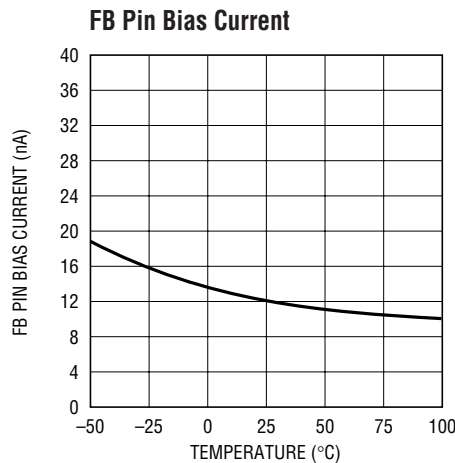


1949 G06

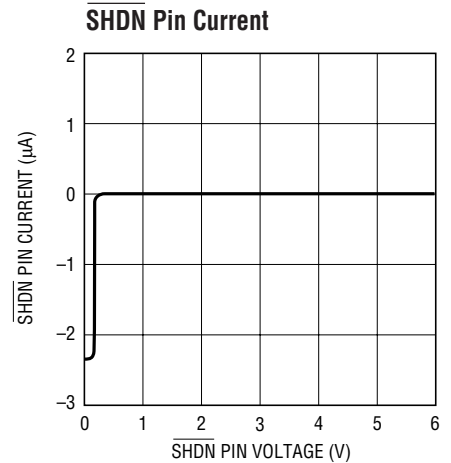
## TYPICAL PERFORMANCE CHARACTERISTICS



1317 TPC10

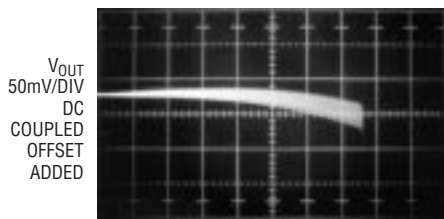


1317 TPC11



1317 TPC12

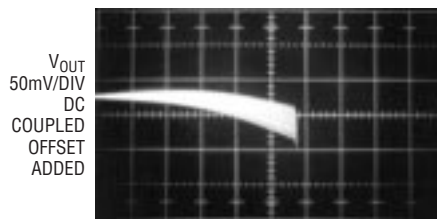
**Load Regulation**



$V_{\text{IN}} = 3\text{V}$   
 $V_{\text{OUT}} = 10\text{V}$   
 $L_1 = 10\mu\text{H}$ , SUMIDA CD54  
 $C_{\text{OUT}} = 10\mu\text{F}$  CERAMIC

1949 G10

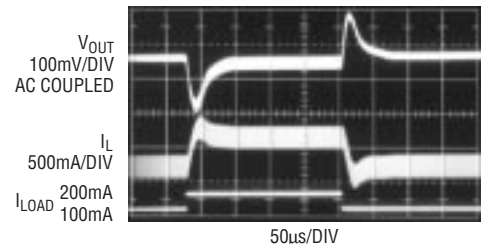
**Load Regulation**



$V_{\text{IN}} = 4\text{V}$   
 $V_{\text{OUT}} = 10\text{V}$   
 $L_1 = 10\mu\text{H}$ , SUMIDA CD54  
 $C_{\text{OUT}} = 10\mu\text{F}$  CERAMIC

1949 G11

**Transient Response**



$V_{\text{IN}} = 3.3\text{V}$   
 $V_{\text{OUT}} = 10\text{V}$   
 CIRCUIT OF FIGURE 1

1949 G12

## PIN FUNCTIONS

**$V_C$  (Pin 1):** Compensation Pin for Error Amplifier. Connect a series RC network from this pin to ground. Typical values for compensation are a 68k/330pF combination when using ceramic output capacitors. Minimize trace area at  $V_C$ .

**FB (Pin 2):** Feedback Pin. Reference voltage is 1.24V. Connect resistor divider tap here. Minimize trace area at FB. Set  $V_{\text{OUT}}$  according to:  $V_{\text{OUT}} = 1.24\text{V}(1 + R_1/R_2)$ .

**$\overline{\text{SHDN}}$  (Pin 3):** Shutdown. Pull this pin low for shutdown mode (only the low-battery detector remains active). Leave this pin floating or tie to a voltage between 1.4V and 6V to enable the device.  $\overline{\text{SHDN}}$  pin is logic level and need only meet the logic specification (1.4V for high, 0.4V for low).

**GND (Pin 4):** Ground. Connect directly to local ground plane.

**SW (Pin 5):** Switch Pin. Connect inductor/diode here. Minimize trace area at this pin to keep EMI down.

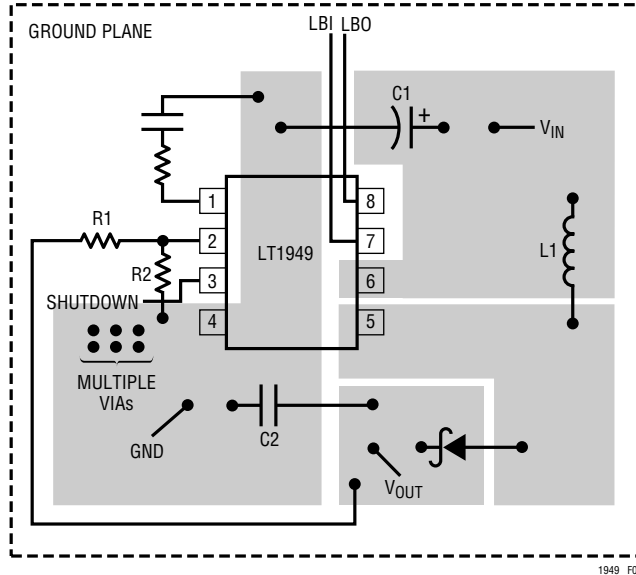
**$V_{\text{IN}}$  (Pin 6):** Supply Pin. Must be bypassed close to the pin.

**LBI (Pin 7):** Low-Battery Detector Input. 200mV reference. Voltage on LBI must stay between ground and 700mV. Low-battery detector remains active in shutdown mode.

**LBO (Pin 8):** Low-Battery Detector Output. Open collector, can sink 10µA. A 1MΩ pull-up is recommended.



## OPERATION

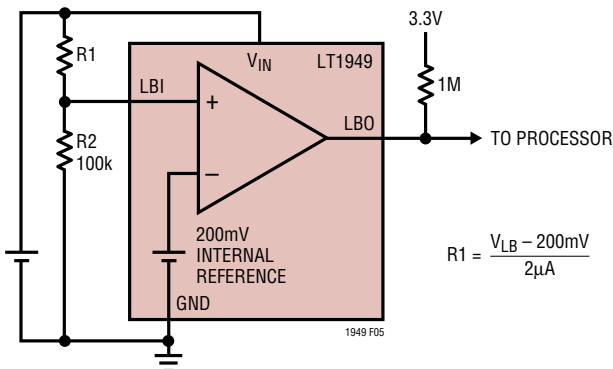


**Figure 4. Recommended Component Placement for Boost Converter. Note Direct High Current Paths Using Wide PC Traces. Minimize Trace Area at Pin 1 (V<sub>C</sub>) and Pin 2 (FB). Use Multiple Vias to Tie Pin 4 Copper to Ground Plane. Use Vias at One Location Only to Avoid Introducing Switching Currents into the Ground Plane**

## APPLICATIONS INFORMATION

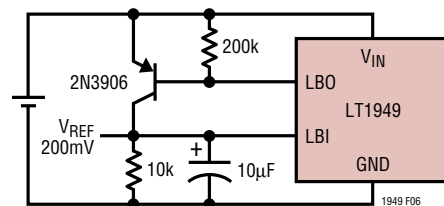
### Low-Battery Detector

The LT1949's low-battery detector is a simple PNP input gain stage with an open collector NPN output. The negative input of the gain stage is tied internally to a 200mV  $\pm 5\%$  reference. The positive input is the LBI pin. Arrangement as a low-battery detector is straightforward.



**Figure 5. Setting Low-Battery Detector Trip Point**

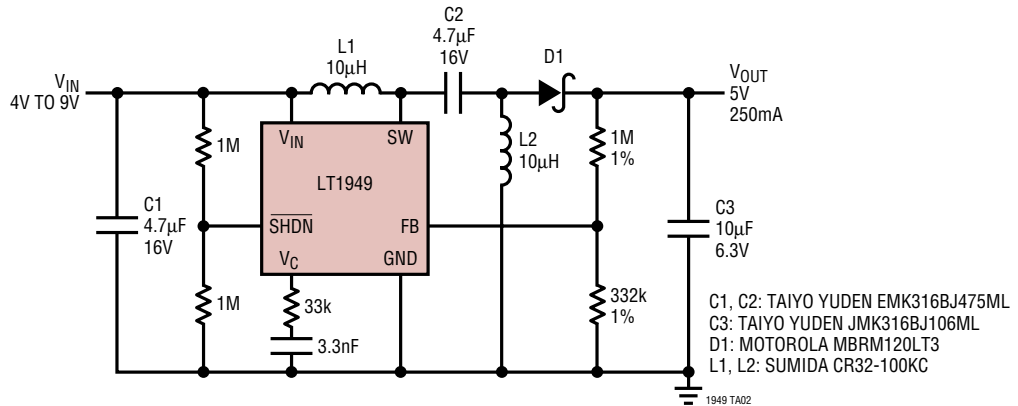
Figure 5 details hookup. R1 and R2 need only be low enough in value so that the bias current of the LBI pin doesn't cause large errors. For R2, 100k is adequate. The 200mV reference can also be accessed as shown in Figure 6. The low-battery detector remains active in shutdown.



**Figure 6. Accessing 200mV Reference**

# TYPICAL APPLICATION

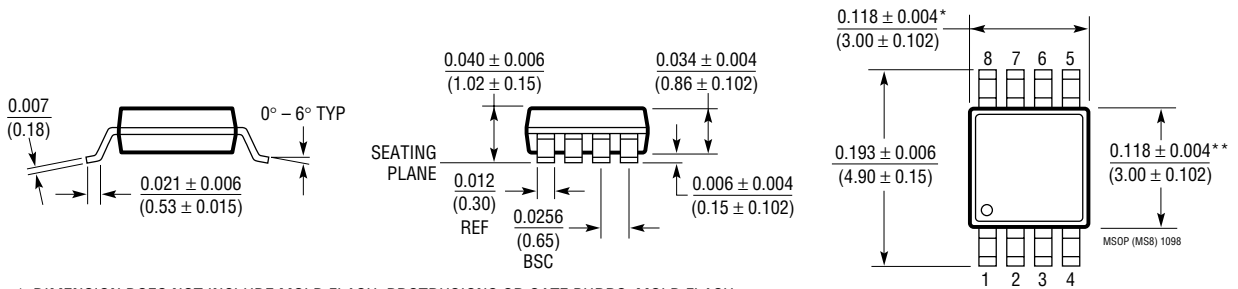
## 4 Cell to 5V SEPIC Converter



# PACKAGE DESCRIPTION

Dimensions in inches (millimeters) unless otherwise noted.

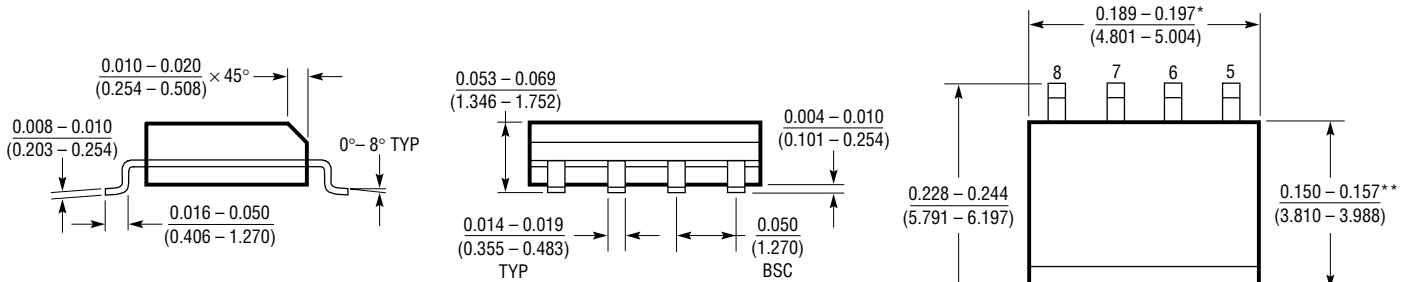
### MS8 Package 8-Lead Plastic MSOP (LTC DWG # 05-08-1660)



\* DIMENSION DOES NOT INCLUDE MOLD FLASH, PROTRUSIONS OR GATE BURRS. MOLD FLASH, PROTRUSIONS OR GATE BURRS SHALL NOT EXCEED 0.006\* (0.152mm) PER SIDE

\*\* DIMENSION DOES NOT INCLUDE INTERLEAD FLASH OR PROTRUSIONS. INTERLEAD FLASH OR PROTRUSIONS SHALL NOT EXCEED 0.006\* (0.152mm) PER SIDE

### S8 Package 8-Lead Plastic Small Outline (Narrow 0.150) (LTC DWG # 05-08-1610)



\* DIMENSION DOES NOT INCLUDE MOLD FLASH. MOLD FLASH SHALL NOT EXCEED 0.006\* (0.152mm) PER SIDE

\*\* DIMENSION DOES NOT INCLUDE INTERLEAD FLASH. INTERLEAD FLASH SHALL NOT EXCEED 0.010\* (0.254mm) PER SIDE

