

Bothhand USA.

e-mail: sales@bothhandusa.com

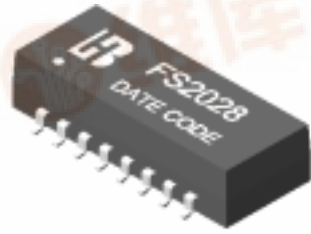
http://www.bothhand.com

P/N:FS2028 APPLY TO GENERIC IC

Page : 1/1

**10 BASE-T LOW PASS FILTER TRANSMITTER & RECEIVER WITH COMMON CHOKES**

**Feature**



- IEEE 802.3 and IEEE 802.5 compatible.
- Designed to meet AMD AM79C98, AT & T T7220 & NS DP83922 chip sets requirements.
- Integrated filter and isolation transformers in single 16 Pin SMD package.
- Low insertion loss characteristics.
- Cost effective designs.

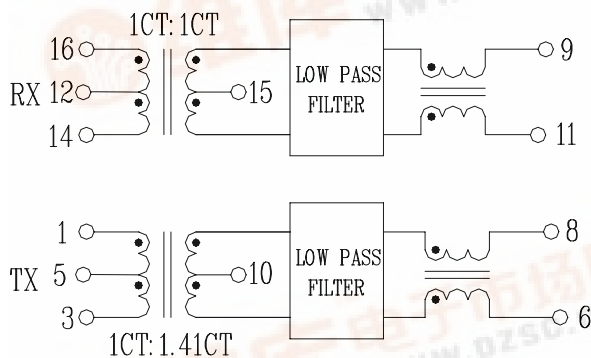
**Electrical Specifications @ 25°C**

Part Number	Turns Ratio (±5%)		CUT-OFF Frequency	Voltage Isolation (Vrms)
	TX	RX		
FS2028	1 CT:1.41CT	1CT:1CT	17 MHz ± 1.5MHz	1500

**Continue**

Part Number	Insertion Loss (dB Max.)		Attenuation TX/RX(dB Min)				Return Loss (dB Typ)	Cross talk Attenuation (dB Min)	Common Mode Rejection TX/RX(dB Min)
	1-10MHz	5-10MHz	20MHz	25MHz	30MHz	40MHz	5-10MHz	1-10 MHz	30-100MHz
FS2028	-1.0/TX	-1.2/RX	-7/-6	-19/-14	-30/-20	-32/-31	-17	-30	-30/-24

**Schematic**



**Mechanical**

