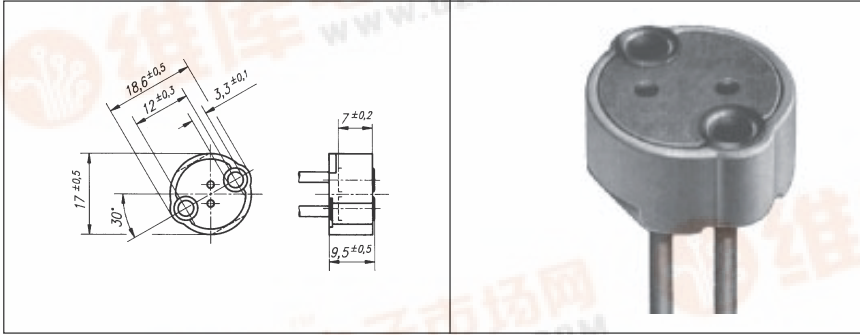


6.35mm Base Lampholders



H912

Lamp Base GZ6.35, (MR-16)
GY6.35
G6.35-1.25
G6.35

Holder G6.35-1.0

Maximum Ceramic

Ratings 50 Volts
12 Amps
230°C

Wire 18 AWG Stranded
Teflon Insulation
140mm Wire Length

H912-220 220mm Wire Length

H912-260 255mm Wire Length

H912-460 460mm Wire Length

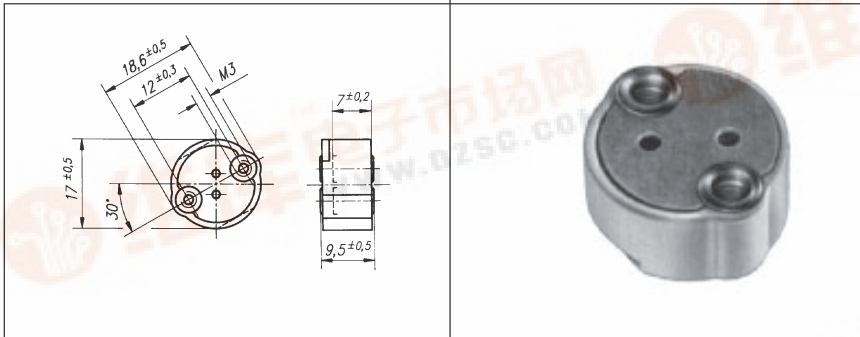
H912-M3 M-3 Threaded

Mounting Inserts

H912-M3-255 M-3 Threaded

Mounting Inserts

255mm Wire Length



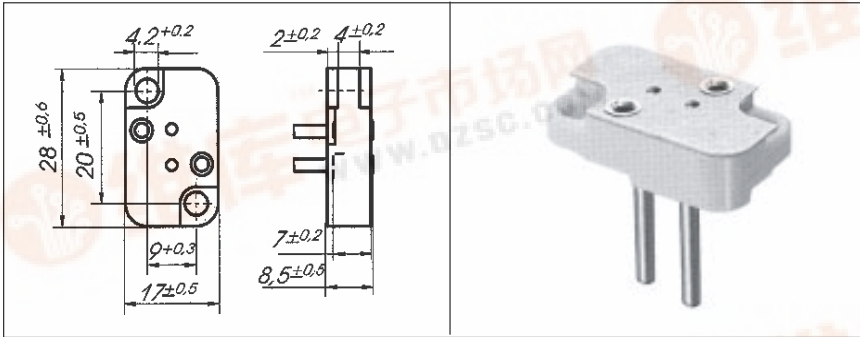
HX913

Lamp Base GZ6.35 (MR-16)
GY6.35
G6.35

Holder G6.35

Maximum Ceramic

Ratings 24 Volts
12.5 Amps
230°C



H701A

Lamp Holder GY6.35
G6.35-1.25
GX6.35
G6.35

G6.35-1.0

GZ6.35

Holder Ceramic

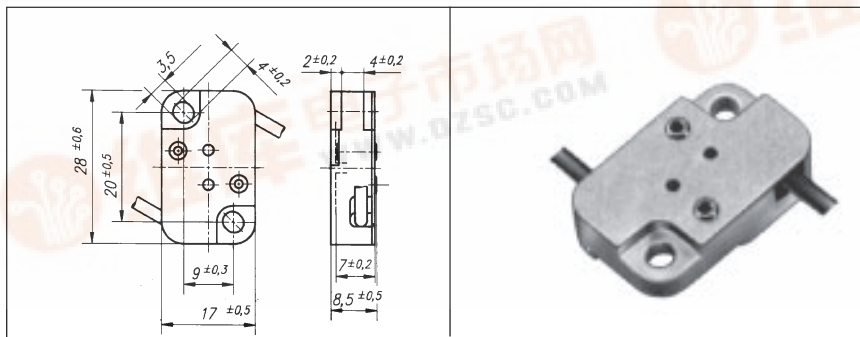
Maximum Ceramic

Ratings 250 Volts
12 Amps
230°C

Wire 18 AWG Stranded

Teflon Insulation

140mm Wire Length



H7010A

Lamp Base GY6.35

Holder Ceramic

Maximum Ceramic

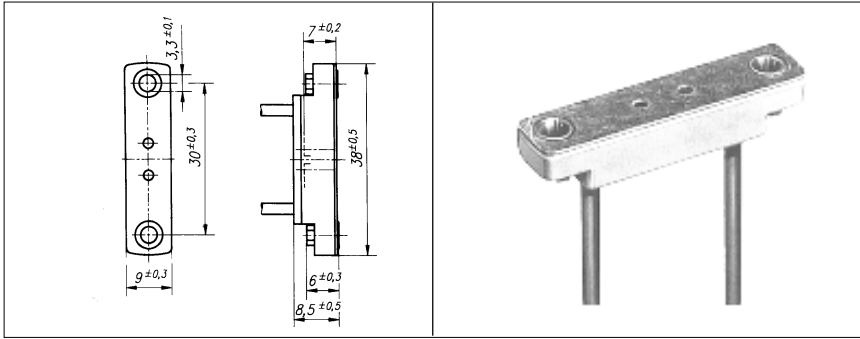
Ratings 250 Volts
12 Amps
230°C

Wire 18 AWG Stranded

Teflon Insulation

220mm Wire Length

6.35mm Base Lampholders

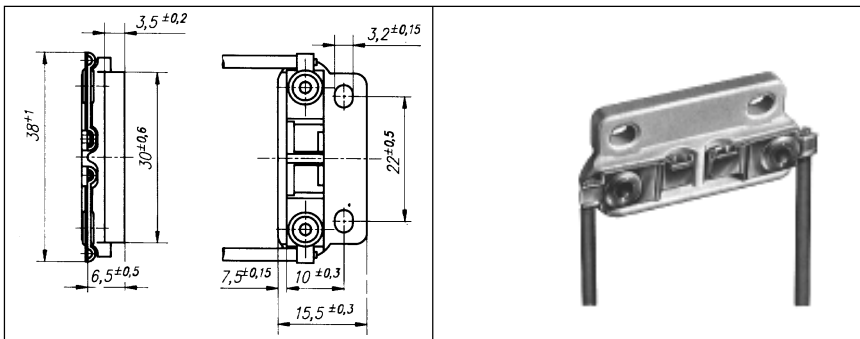


H918

Lamp Base GY6.35
G6.35-1.25
GX6.35
G6.35
G6.35-1.0
GZ6.35 (MR-16)
Ceramic

Holder Maximum Ratings 250 Volts
6 Amps
230°C

Wire 18 AWG Stranded
Teflon Insulation
220mm Wire Length

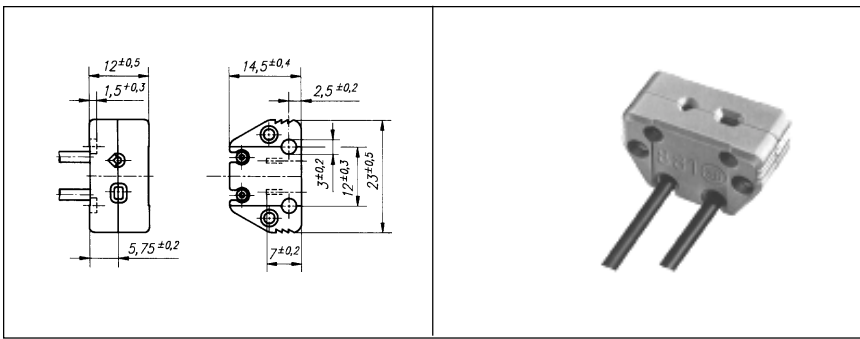


H998

Lamp Base G6.35
G6.35-1.0
Ceramic

Holder Maximum Ratings 50 Volts
10 Amps
200°C

Wire 18 AWG Stranded
Silicone Insulation
140mm Wire Length

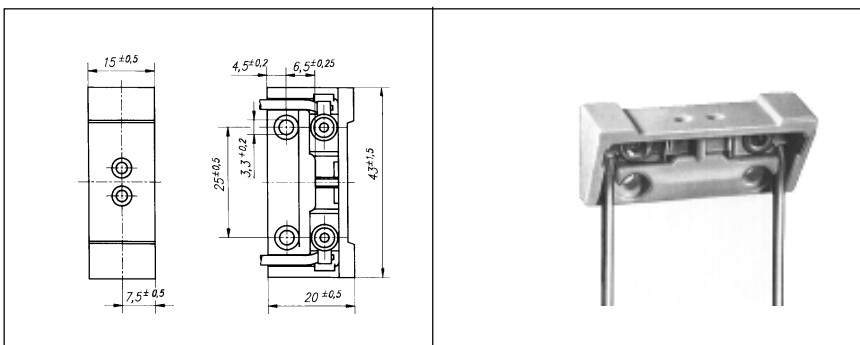


H881

Lamp Base GZ6.35
G6.35
G6.35-1.0
Ceramic

Holder Maximum Ratings 250 Volts
10 Amps
230°C

Wire 18 AWG Stranded
Silicone Insulation
140mm Wire Length

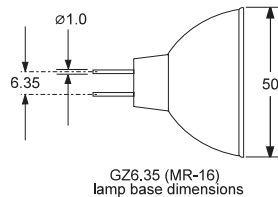
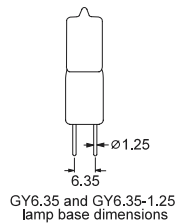
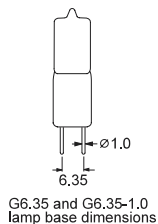


H993

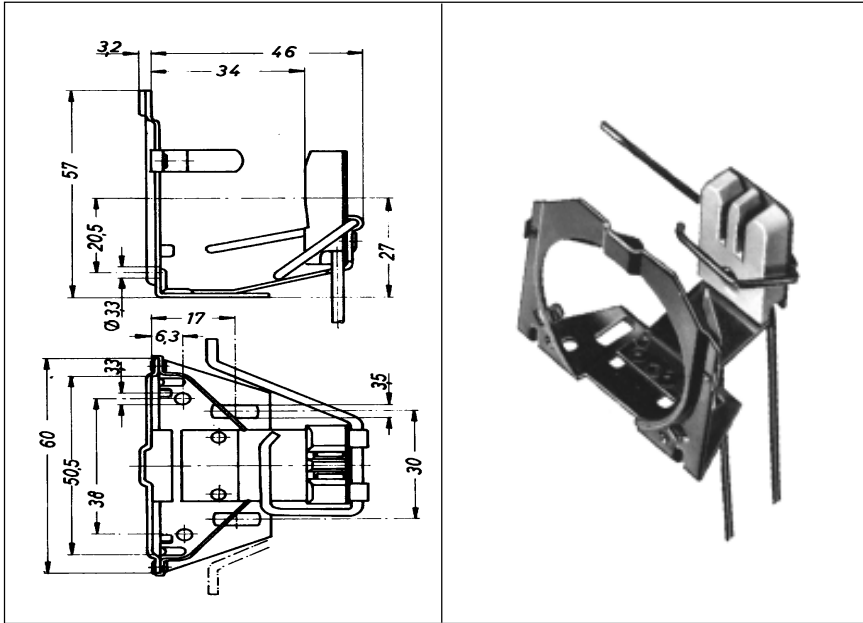
Lamp Base GY6.35
G6.35-1.25
Ceramic

Holder Maximum Ratings 250 Volts
10 Amps
200°C

Wire 18 AWG Stranded
Silicone Insulation
130mm Wire Length



6.35mm Base Lampholders



H705

Lamp Base Holder GZ6.35 (MR-16)
Ceramic/Metal

Maximum Ratings 250 Volts
10 Amps
230°C

Wire 18 AWG Stranded
Silicone Insulation
130mm Wire Length