

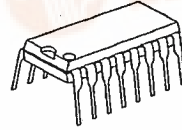
DUAL BOOST AMPLIFIER for CAR AUDIO

■ GENERAL DESCRIPTION

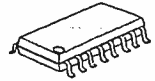
The NJM2160A is a dual boost amplifier designed for car audio system. It swings 14V peak-to-peak output voltage at 9V. It consists of two channel non-inverting amplifier with the gain of 8dB.

It is suitable for car audio system and other boost amplifier system.

■ PACKAGE OUTLINE



NJM2160AD



NJM2160AM

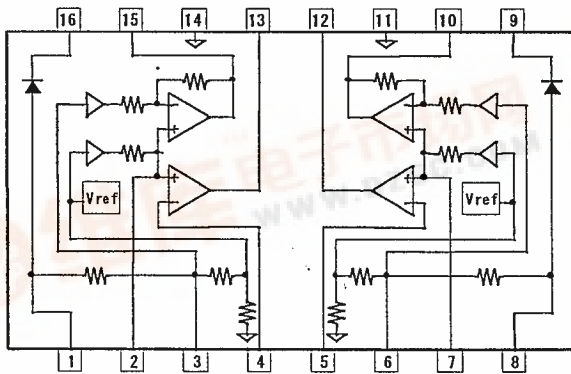


NJM2160AV

■ FEATURES

- Operating Voltage (+6—+12V)
- Operating Current (6mA typ.)
- Boost Output Function ($V_o=14V_{pp}$, @ $V^+=9V$)
- Supply Voltage Rejection Ratio (50dB typ.)
- Total Harmonic Distortion (0.003% typ.)
- Noise Output Voltage ($6\mu V_{rms}$ typ.)
- Bipolar Technology
- Package Outline DIP16, DMP16, SSOP16

■ PIN CONFIGURATION



NJM2160AD
NJM2160AM
NJM2160AV

PIN FUNCTION

1. V_{CC1}
2. +Lin
3. CRPL
4. -Lin
5. -Rin
6. CRPR
7. +Rin
8. V_{CC2}
9. +CR
10. -CR
11. GNDR
12. Rout
13. Lout
14. GNDL
15. -CL
16. +CL

NJM2160A

■ ABSOLUTE MAXIMUM RANGES (Ta=25°C)

PARAMETER	SYMBOL	RANGE	UNIT
Supply Voltage	V ⁺	+15	V
Output Current	I _o	20	mA
Power Dissipation	P _o	(D-Type) 700 (M, V-Type) 300	mW
Operating Temperature	T _{opp}	-40~+85	°C
Storage Temperature	T _{stg}	-40~+125	°C

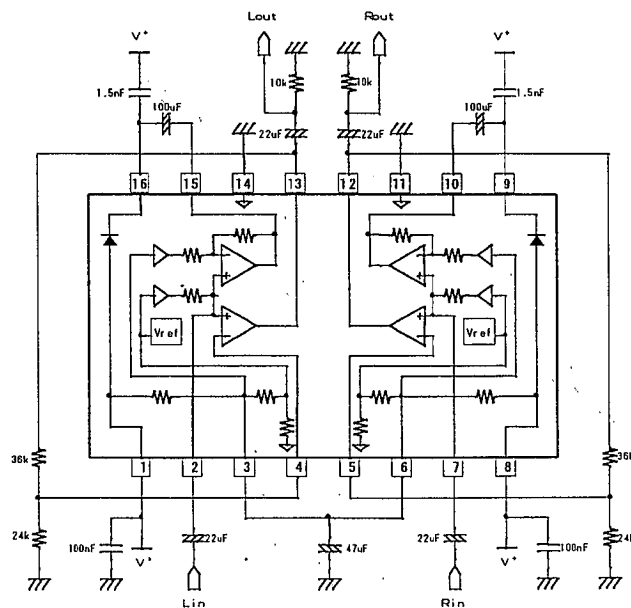
■ ELECTRICAL CHARACTERISTIC (V⁺=9V, Ta=25°C)

PARAMETER	SYMBOL	TEST CONDITION	MAX.	TYP.	MAX.	UNIT
DC CHARACTERISTIC						
Operating Voltage	V ⁺		6.0	9.0	12.0	V
Operating Current	I _{cc}	No Signal	—	6.0	8.0	mA
Output Voltage	V _{oDC}		—	7.8	—	V
AC CHARACTERISTIC (f=1kHz, R _L =10kΩ)						
Voltage Gain	A _v		7.5	8.0	8.5	dB
Channel Separation	CS	R _s =600Ω, V _o =1Vrms	70	75	—	dB
Channel Balance	BAL		—	—	0.5	dB
Roll-off Low Frequency	f _{RL}	-1dB	—	—	5	Hz
Roll-off High Frequency	f _{RH}	-1dB	20	—	—	kHz
Input Resistance	R _{IN}		22	30	38	kΩ
Output Resistance	R _{OUT}		—	—	10	Ω
Maximum Output Voltage	V _{oM}	THD=0.1%	5.0	5.2	—	Vrms
Noise Output Voltage	V _{no}	R _s =600Ω, A-Weighting	—	6	10	μV
Total Harmonic Distortion	THD1	f=1kHz, V _o =3Vrms, A-Weighting	—	0.003	0.01	%
	THD2	f=17Hz-20kHz, V _o =3Vrms, A-Weighting	—	0.01	—	%
Supply Voltage Rejection Ratio	SVR1	R _s =600Ω, f=1kHz, V _{RP} =100mVrms	55	—	—	dB
	SVR2	R _s =600Ω, f=20Hz-20kHz, V _{RP} =100mVrms	—	50	—	dB

■ PIN INFORMATION

PIN NUMBER	PIN NAME	PIN FUNCTION
1	V _{ccL}	Power Supply for Left Channel
2	+L _{in}	+Input of Left Channel
3	CR _{PL}	Capacitance for Left Channel Ripple Rejection
4	-L _{in}	-Input of Left Channel
5	-R _{in}	-Input of Right Channel
6	CR _{PR}	Capacitance for Right Channel Ripple Rejection
7	+R _{in}	+Input of Right Channel
8	V _{ccR}	Power Supply for Right Channel
9	+CR	Capacitance for +Level-shift Right Channel
10	-CR	Capacitance for -Level-shift Right Channel
11	G _{NDR}	Ground for Right Channel
12	R _{out}	Output of Right Channel
13	L _{out}	Output of Left Channel
14	G _{NDL}	Ground for Left Channel
15	-CL	Capacitance for -Level-shift Left Channel
16	+CL	Capacitance for +Level-shift Left Channel

■ APPLICATION CIRCUIT



MEMO

[CAUTION]

The specifications on this databook are only given for information, without any guarantee as regards either mistakes or omissions. The application circuits in this databook are described only to show representative usages of the product and not intended for the guarantee or permission of any right including the industrial rights.