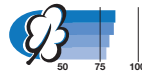
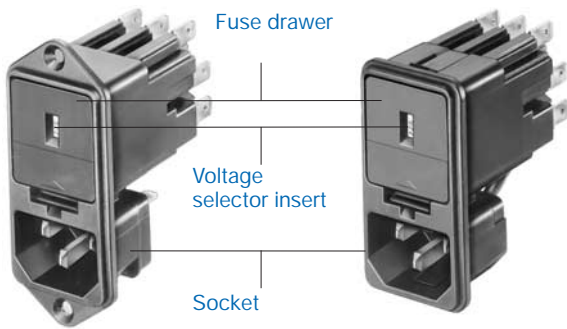


Power entry module Type KE


- Panel mount: screw-on version, front or rear-side / snap-in version, front-side
- 3 functions: appliance inlet, fuseholder with interchangeable fuse drawer for 5 x 20 or 6,3 x 32 mm fuses, with series-parallel voltage selector
- Version with line filter/shield see page 117



Characteristics

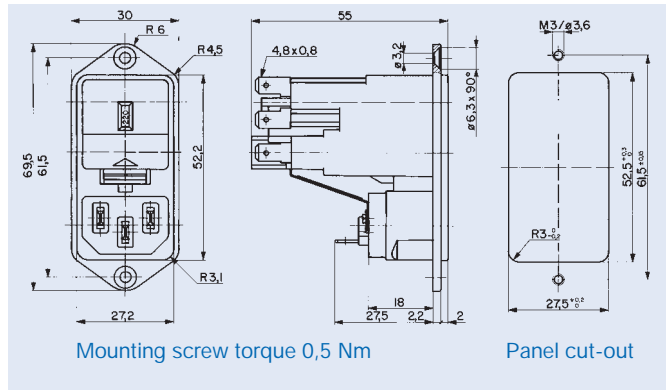
- Available versions with or without internal partial wired connections
- Extra-safe fuse drawers satisfy international standards for medical equipment. The drawer can only be removed with the aid of a tool
- The fuseholder is accessible from the equipment front
- Qualified for use in equipment according to IEC/EN 60950

Technical data

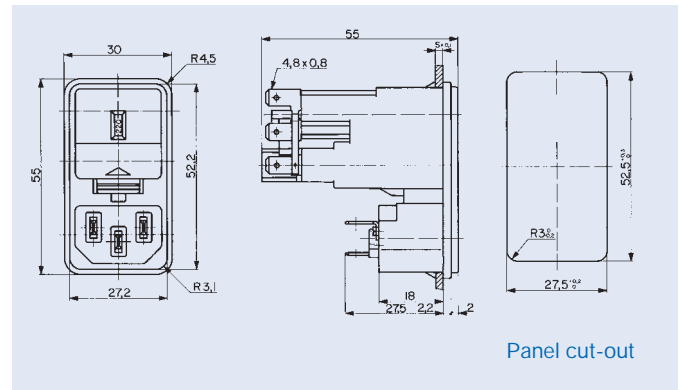
Rated voltage	250 VAC
Rated currents	10 A; VDE, SEV, Semko 13 A; UL 16 A; CSA 1-pole 10 A; CSA 2-pole
Dielectric strength (50 Hz, 1 Min.)	> 3 kV between L-N > 4 kV between L/N-PE
Allowable ambient air temperatures T _a	-25 °C to + 70 °C
Degree of protection (front side)	IP40 acc. to IEC 60529
Protection class	suitable for equipment with prot. cl. I, acc. to IEC 61140
Terminals	quick-connect 4,8 x 0,8 mm/tin-plated
Panel thickness s	screw-on: max. 8 mm snap-in: 1,5/2/2,5 mm
Materials: Housing	Thermoplastic, black, UL94 V-0
Appliance-inlet	 acc. to IEC/EN 60320-1/C14, protection class I, pin-temperature 70 °C (cold condition)
Fuseholder	1- or 2-pole, shocksafe category PC2 acc. to IEC/EN 60127-6, for fuse-links 5 x 20 or 6,3 x 32 mm
Rated power acceptance at ambient air temp. T _a 23 °C	5 x 20: 2,5 W (1-pole)/2 W (2-pole) per p. 6,3 x 32: 3,15 W (1-pole)/2,5 W (2-pole) per pole
Admissible power acceptance at higher T _a	see derating curves. Take note of the information on page 197
Voltage selector	series-parallel, 4, 3 or 2 switch positions or usable as a 2-pole change-over switch.

Dimensions

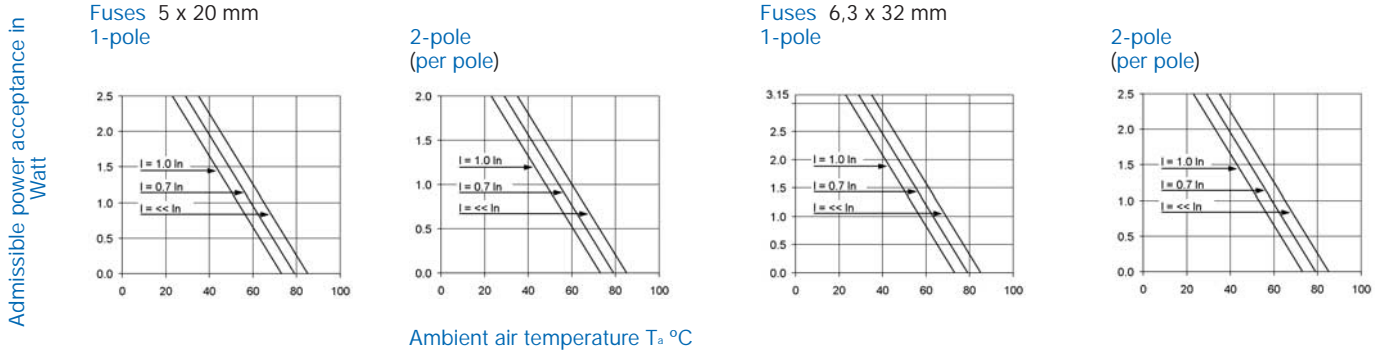
Screw-on mounting



Snap-in mounting



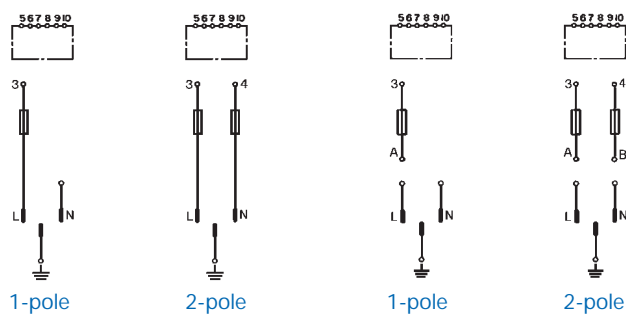
Derating curves for fuseholder



Diagrams

with partial wired internal connections

without internal connections



Optional accessory cables (stranded conductor) for voltage selector wiring see on page 63

Order Numbers for socket

Fuse drawer and voltage selector insert must be ordered separately. Order no see pages 62, 63

Fuseholder		with partial wired internal connections	without internal connections	Screw	Snap-in, panel thickness s		
1-pole	2-pole				1,5 mm	2,0 mm	2,5 mm
KE16.5100.151	KE10.6100.151	•		•			
KE16.5100.105	KE10.6100.105	•			•		
KE16.5100.107	KE10.6100.107	•				•	
KE16.5100.109	KE10.6100.109	•				•	
KE15.1100.151	KE10.2100.151		•				
KE15.1100.105	KE10.2100.105		•				
KE15.1100.107	KE10.2100.107		•		•		
KE15.1100.109	KE10.2100.109		•			•	

Other versions on request:

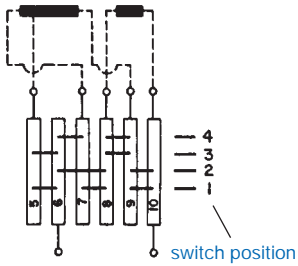
- for protection class II

Accessories see page 171

Voltage selector inserts
for Power Entry Modules, types KE, CE, KG, CG

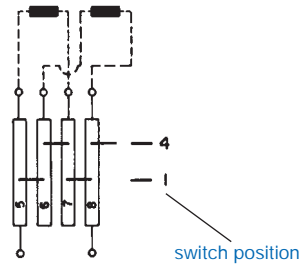


System No. 1



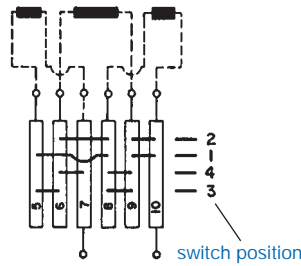
2 separate windings
one with a tap
3 or 4 switch positions

System No. 2



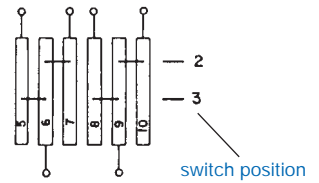
2 separate windings
2 switch positions

System No. 3



3 separate windings
3 or 4 switch positions

System No. 4



2-pole change-over switch

Order Numbers for voltage selector insert for
Power Entry Modules, types KE, CE, KG, CG

	System No.	Voltage marking, switch position				Schematic	Switch position
		1	2	3	4		
4305.0048.00	1,2	without marking					
4305.0048.01	1	100	120	220	240		
4305.0048.03	2	110		220			
4305.0048.05	2	115		230			
4305.0048.10	1	100	115	230			
4305.0050.00	3	without marking					
4305.0050.02	3	130	110	240	220		
4305.0050.04	3	110		240	220		
4305.0050.06	3	150	110	220			
4305.0049.00	4	without marking					
4305.0049.07	4	220		110			
4305.0049.17	4	115		230			
4305.0049.19	4	230		110			

Other voltage markings on request

POWER ENTRY MODULES

KE

**Fuse drawer «Extra-Safe»
for Power Entry Modules, types KE, CE, KG, CG**



Order Numbers

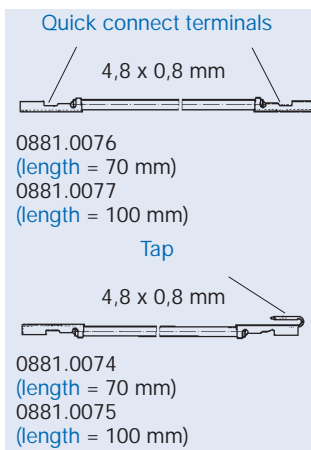
for fuses 5 x 20 mm			for fuses 6,3 x 32 mm		
1-pole	2-pole	2-pole with shorting bar in the neutral side	1-pole	2-pole	2-pole with shorting bar in the neutral side
4305.0006	4305.0001	4305.0021	4305.0016	4305.0011	4305.0026

Ordering example

The following 3 positions are necessary to place an order:

- | | |
|-------------------------------------|---------------|
| 1. Order no Socket | KE10.6100.107 |
| 2. Order no Voltage selector insert | 4305.0048.03 |
| 3. Order no Fuse drawer | 4305.0001 |

Accessory connection with stranded cable for KE, CE and KG, CG (wiring of voltage selector)



The connection with stranded cable has to be mounted by customer.
Strand = 1,5 mm²

Attention:

To guarantee the minimum air and creeping distances, use taps only for terminal

3 / 4 or N for KE, CE

2 / 3 / 4 or N for KG, CG

(concerns voltage selector system 1, 2 and 3).

Order Numbers for connection with stranded cable

Power entry modules type	Voltage selector System No. 1	Voltage selector System No. 2 and 3	Voltage selector System No. 4
KE, CE 1-pole	0881.0075 0881.0076	0881.0074 0881.0075	0881.0076 0881.0077
KE, CE 2-pole	0881.0074 0881.0076	2x 0881.0074	2x 0881.0076
KG, CG 1-pole	0881.0075 0881.0076	0881.0074 0881.0075	0881.0076 0881.0077
KG, CG 2-pole	0881.0074 0881.0076	2x 0881.0074	2x 0881.0076