

Bi-Color LED Lamp Array 急出货

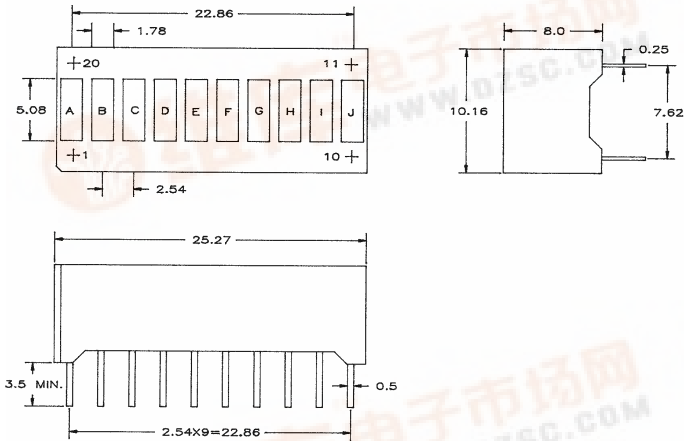
FEATURES

- 10 segment bi-color LED Bar Graph Array
- Solid state reliability
- Hi-efficiency red and green
- Grey surface/white epoxy

OPTO-ELECTRICAL CHARACTERISTICS (Ta = 25°C)

PART NO.	EMITTED COLOR	PEAK WAVE LENGTH (nm)	MAXIMUM RATINGS			OPTO ELECTRICAL CHARACTERISTICS								Pin--Out
			IF(mA)	VR(V)	PD (mW)	VF(V)			IR(μA)		IV(μcd)			
						typ.	max.	@mA	max.	@VR	typ.per seg.	@mA		
MTB10062-HRG	(HR)	Hi-Eff Red	635	30	5	85	2.1	3.0	20	100	5	3900	10	1
	(G)	Green	567	30	5	85	2.1	3.0	20	100	5	3400	10	1

PACKAGE DIMENSIONS AND PIN FUNCTIONS



PINOUT 1

PIN NO. FUNCTION

1. A GREEN ANODE (HR CATHODE)
2. B GREEN ANODE (HR CATHODE)
3. C GREEN ANODE (HR CATHODE)
4. D GREEN ANODE (HR CATHODE)
5. E GREEN ANODE (HR CATHODE)
6. F GREEN ANODE (HR CATHODE)
7. G GREEN ANODE (HR CATHODE)
8. H GREEN ANODE (HR CATHODE)
9. I GREEN ANODE (HR CATHODE)
10. J GREEN ANODE (HR CATHODE)
11. J GREEN CATHODE (HR ANODE)
12. I GREEN CATHODE (HR ANODE)
13. H GREEN CATHODE (HR ANODE)
14. G GREEN CATHODE (HR ANODE)
15. F GREEN CATHODE (HR ANODE)
16. E GREEN CATHODE (HR ANODE)
17. D GREEN CATHODE (HR ANODE)
18. C GREEN CATHODE (HR ANODE)
19. B GREEN CATHODE (HR ANODE)
20. A GREEN CATHODE (HR ANODE)

1. ALL DIMENSIONS ARE IN mm, TOLERANCE IS ±0.25mm UNLESS OTHERWISE SPECIFIED.
2. THE SLOPE ANGLE OF ANY PIN MAY BE ±5.0° MAX.

