

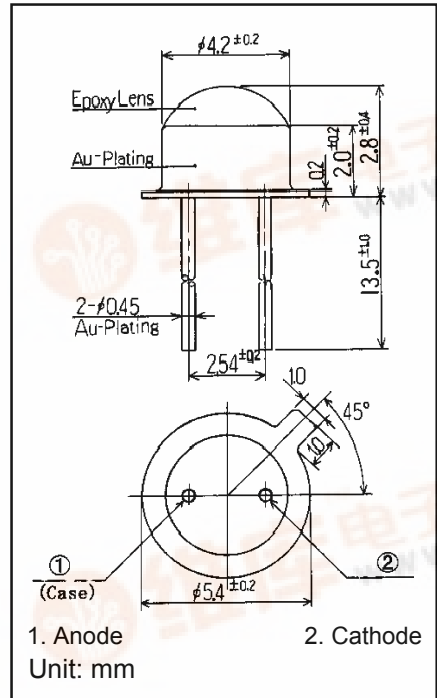
Photo Diode

MTD3010PM Applications -

- Edge Sensing
- Fiber Optics
- Smoke Detectors
- Optical Switch

Features -

- High Reliability in Demanding Environments (Metal Can Package)
- Wide Angular Response



MAXIMUM RATINGS (Ta = 25°C)

CHARACTERISTIC	SYMBOL	RATING	UNIT
Reverse Voltage	V_R	30	V
Power Dissipation	P_D	100	mW
Operating Temperature	T_{opr}	-30~85	°C
Storage Temperature	T_{stg}	-30~100	°C
Junction Temperature	T_j	100	°C

OPTO-ELECTRICAL CHARACTERISTICS (Ta = 25°C)

CHARACTERISTIC	SYMBOL	TEST CONDITION	MIN.	TYP.	MAX.	UNIT
Open Circuit Voltage	V_{oc}	L = 100Lux	—	.36	—	V
Short Circuit Current	I_{sc}	VR = 10V, L = 1000Lux	—	30	—	μA
Dark Current	I_D	VR = 10V	—	—	10	nA
Spectral Sensitivity	λ	—	—	400~1100	—	nm
Spectral Sensitivity	λ	Using Filter	—	800~1100	—	nm
Peak Sensitivity Wavelength	λ_p	—	—	950	—	nm
Half Intensity Beam Angle	θ	—	—	± 60	—	deg
Junction Capacitance	C_j	at 1 MHz, V = 0V	—	10	—	pF



Photo Diode

MTD3010PM Graphs -

