

## Chip Inductors

### Special Features

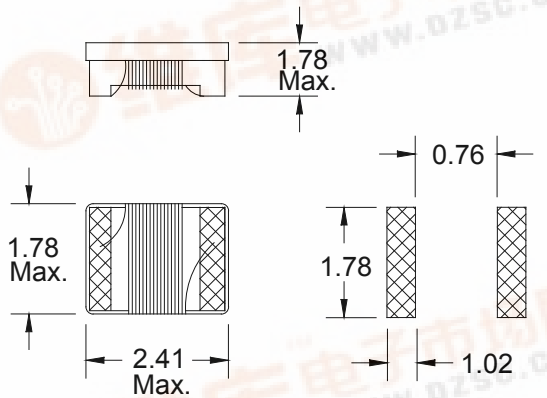
- Ceramic core, wire wound for superior reliability
- High self resonant frequency
- Very stable electrical characteristic
- Flat top surface for automated pick & place
- Operation temperature -55 - +125°C
- Tape & reel packaged 2000/reel

### Notes

\* Current to cause approx. 15°C of temperature rise

PM0805 Series							
Part Number	L (nH) ±20%	L Test		Q Test		SRF	DCR
		Freq. (MHz)	Q Min	Freq. (MHz)	Min.	(Mhz)	(Ω)
						Min.	Max.
PM0805-2N2M	2.2	250	15	1500	6000	0.08	600
PM0805-3N3M	3.3	250	50	1500	6000	0.08	600
PM0805-6N8M	6.8	250	50	1000	5500	0.11	600
PM0805-8N2M	8.2	250	50	500	4700	0.12	600
PM0805-12NM	12	250	50	500	4000	0.15	600
PM0805-15NM	15	250	50	500	3400	0.17	600
PM0805-18NM	18	250	50	500	3300	0.20	600
PM0805-22NM	22	250	55	500	2600	0.22	500
PM0805-27NM	27	250	55	500	2500	0.25	500
PM0805-33NM	33	250	60	500	2050	0.27	500
PM0805-39NM	39	250	60	500	2000	0.29	500
PM0805-47NM	47	200	60	500	1650	0.31	500
	±10%						
PM0805-56NK	56	200	60	500	1550	0.34	500
PM0805-68NK	68	200	60	500	1450	0.38	500
PM0805-82NK	82	150	65	500	1300	0.42	400
	L(μH) ±10%						
PM0805-R10K	0.10	150	65	500	1200	0.46	400
PM0805-R12K	0.12	150	50	250	1100	0.51	400
PM0805-R15K	0.15	100	50	250	920	0.56	400
PM0805-R18K	0.18	100	50	250	870	0.64	400
PM0805-R22K	0.22	100	50	250	850	0.70	400
PM0805-R27K	0.27	100	40	100	800	1.1	280
PM0805-R33K	0.33	100	40	100	750	1.2	260
PM0805-R39K	0.39	100	40	100	700	1.5	200
PM0805-R47K	0.47	100	40	100	650	2.5	170
PM0805-R56K	0.56	50	40	50	600	3.5	170

Also available as RoHS compliant.



Dimensions: mm

Pad Layout