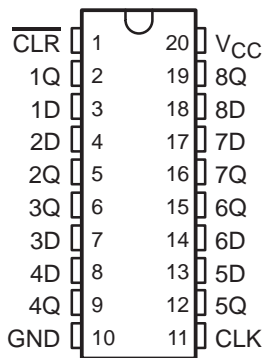


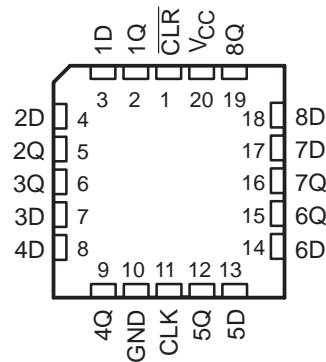
- Wide Operating Voltage Range of 2 V to 6 V
- Outputs Can Drive Up To 10 LSTTL Loads
- Low Power Consumption, 80- μ A Max I_{CC}
- Typical $t_{pd} = 12$ ns
- ± 4 -mA Output Drive at 5 V
- Low Input Current of 1 μ A Max
- Contain Eight Flip-Flops With Single-Rail Outputs
- Direct Clear Input
- Individual Data Input to Each Flip-Flop
- Applications Include:
 - Buffer/Storage Registers
 - Shift Registers
 - Pattern Generators

description

SN54HC273 . . . J OR W PACKAGE
SN74HC273 . . . DB, DW, N, NS, OR PW PACKAGE
(TOP VIEW)



SN54HC273 . . . FK PACKAGE
(TOP VIEW)



description/ordering information

These circuits are positive-edge-triggered D-type flip-flops with a direct clear (\overline{CLR}) input.

ORDERING INFORMATION

| T _A | PACKAGE† | | ORDERABLE PART NUMBER | TOP-SIDE MARKING |
|----------------|------------|--------------|-----------------------|------------------|
| -40°C to 85°C | PDIP – N | Tube of 20 | SN74HC273N | SN74HC273N |
| | SOIC – DW | Tube of 25 | SN74HC273DW | HC273 |
| | | Reel of 2000 | SN74HC273DWR | |
| | TSSOP – PW | Tube of 70 | SN74HC273PW | HC273 |
| | | Reel of 2000 | SN74HC273PWR | |
| | | Reel of 250 | SN74HC273PWT | |
| -55°C to 125°C | CDIP – J | Tube of 20 | SNJ54HC273J | SNJ54HC273J |
| | CFP – W | Tube of 85 | SNJ54HC273W | SNJ54HC273W |
| | LCCC – FK | Tube of 55 | SNJ54HC273FK | SNJ54HC273FK |

† Package drawings, standard packing quantities, thermal data, symbolization, and PCB design guidelines are available at www.ti.com/sc/package.



Please be aware that an important notice concerning availability, standard warranty, and use in critical applications of Texas Instruments semiconductor products and disclaimers thereto appears at the end of this data sheet.

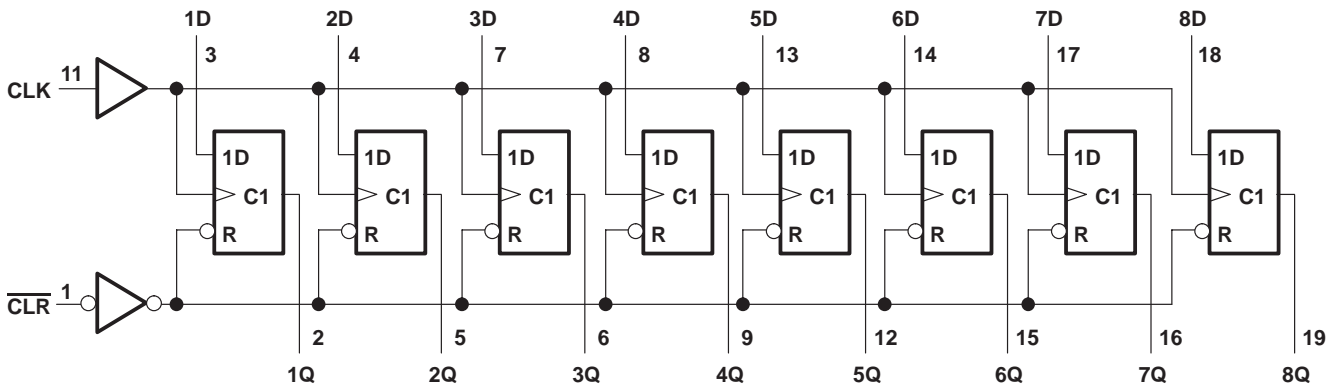
description/ordering information (continued)

Information at the data (D) inputs meeting the setup time requirements is transferred to the Q outputs on the positive-going edge of the clock (CLK) pulse. Clock triggering occurs at a particular voltage level and is not related directly to the transition time of the positive-going pulse. When CLK is at either the high or low level, the D input has no effect at the output.

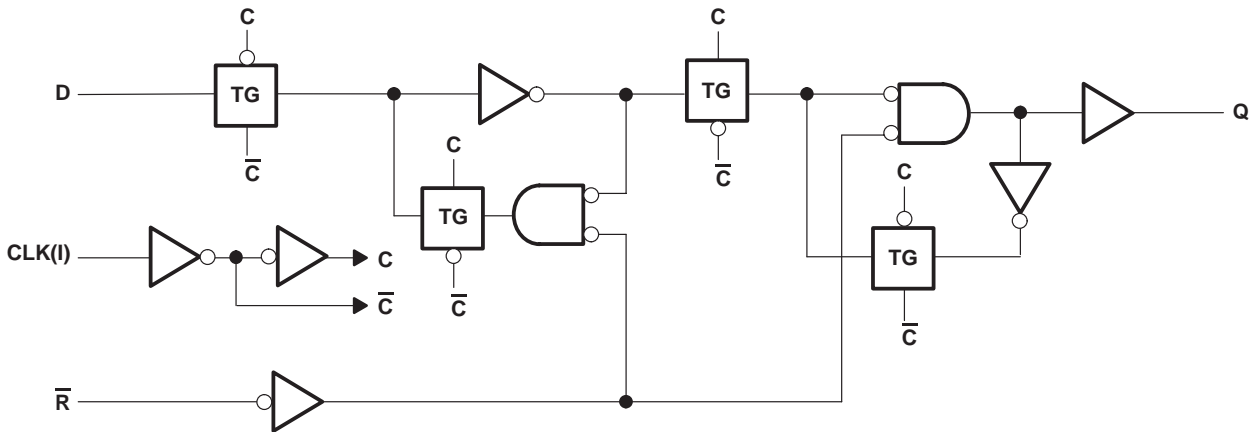
FUNCTION TABLE
(each flip-flop)

| INPUTS | | | OUTPUT |
|-------------------------|------------|---|--------|
| $\overline{\text{CLR}}$ | CLK | D | Q |
| L | X | X | L |
| H | \uparrow | H | H |
| H | \uparrow | L | L |
| H | L | X | Q_0 |

logic diagram (positive logic)



logic diagram, each flip-flop (positive logic)



electrical characteristics over recommended operating free-air temperature range (unless otherwise noted)

| PARAMETER | TEST CONDITIONS | | V _{CC} | T _A = 25°C | | | SN54HC273 | | SN74HC273 | | UNIT |
|-----------------|-----------------------------------------------------------|---------------------------|-----------------|-----------------------|-------|------|-----------|-------|-----------|-------|------|
| | | | | MIN | TYP | MAX | MIN | MAX | MIN | MAX | |
| V _{OH} | V _I = V _{IH} or V _{IL} | I _{OH} = -20 μA | 2 V | 1.9 | 1.998 | | 1.9 | | 1.9 | V | |
| | | | 4.5 V | 4.4 | 4.499 | | 4.4 | | 4.4 | | |
| | | | 6 V | 5.9 | 5.999 | | 5.9 | | 5.9 | | |
| | | I _{OH} = -4 mA | 4.5 V | 3.98 | 4.3 | | 3.7 | | 3.84 | | |
| | | I _{OH} = -5.2 mA | 6 V | 5.48 | 5.8 | | 5.2 | | 5.34 | | |
| V _{OL} | V _I = V _{IH} or V _{IL} | I _{OL} = 20 μA | 2 V | | 0.002 | 0.1 | | 0.1 | | V | |
| | | | 4.5 V | | 0.001 | 0.1 | | 0.1 | | | 0.1 |
| | | | 6 V | | 0.001 | 0.1 | | 0.1 | | | 0.1 |
| | | I _{OL} = 4 mA | 4.5 V | | 0.17 | 0.26 | | 0.4 | | | 0.33 |
| | | I _{OL} = 5.2 mA | 6 V | | 0.15 | 0.26 | | 0.4 | | | 0.33 |
| I _I | V _I = V _{CC} or 0 | | 6 V | | ±0.1 | ±100 | | ±1000 | | ±1000 | nA |
| I _{CC} | V _I = V _{CC} or 0, I _O = 0 | | 6 V | | | 8 | | 160 | | 80 | μA |
| C _i | | | 2 V to 6 V | | 3 | 10 | | 10 | | 10 | pF |

timing requirements over recommended operating free-air temperature range (unless otherwise noted)

| | | V _{CC} | T _A = 25°C | | SN54HC273 | | SN74HC273 | | UNIT |
|--------------------|----------------------------|-----------------|-----------------------|-----|-----------|-----|-----------|-----|------|
| | | | MIN | MAX | MIN | MAX | MIN | MAX | |
| f _{clock} | Clock frequency | 2 V | | 5 | | 4 | | 4 | MHz |
| | | 4.5 V | | 27 | | 18 | | 21 | |
| | | 6 V | | 32 | | 21 | | 25 | |
| t _w | Pulse duration | CLR low | 2 V | 80 | | 120 | | 100 | ns |
| | | | 4.5 V | 16 | | 24 | | 20 | |
| | | | 6 V | 14 | | 20 | | 17 | |
| | | CLK high or low | 2 V | 80 | | 120 | | 100 | |
| | | | 4.5 V | 16 | | 24 | | 20 | |
| | | | 6 V | 14 | | 20 | | 17 | |
| t _{su} | Setup time before CLK↑ | Data | 2 V | 100 | | 150 | | 125 | ns |
| | | | 4.5 V | 20 | | 30 | | 25 | |
| | | | 6 V | 17 | | 25 | | 21 | |
| | | CLR inactive | 2 V | 100 | | 150 | | 125 | |
| | | | 4.5 V | 20 | | 30 | | 25 | |
| | | | 6 V | 17 | | 25 | | 21 | |
| t _h | Hold time, data after CLK↑ | 2 V | 0 | | 0 | | 0 | ns | |
| | | 4.5 V | 0 | | 0 | | 0 | | |
| | | 6 V | 0 | | 0 | | 0 | | |



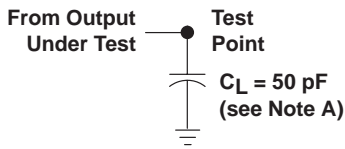
switching characteristics over recommended operating free-air temperature range, $C_L = 50 \text{ pF}$ (unless otherwise noted) (see Figure 1)

| PARAMETER | FROM (INPUT) | TO (OUTPUT) | V_{CC} | $T_A = 25^\circ\text{C}$ | | | SN54HC273 | | SN74HC273 | | UNIT |
|------------|-------------------------|-------------|----------|--------------------------|-----|-----|-----------|-----|-----------|-----|------|
| | | | | MIN | TYP | MAX | MIN | MAX | MIN | MAX | |
| f_{\max} | | | 2 V | 5 | 11 | | 4 | | 4 | MHz | |
| | | | 4.5 V | 27 | 50 | | 18 | | 21 | | |
| | | | 6 V | 32 | 60 | | 21 | | 25 | | |
| t_{PHL} | $\overline{\text{CLR}}$ | Any | 2 V | | 55 | 160 | | 240 | | 200 | ns |
| | | | 4.5 V | | 15 | 32 | | 48 | | 40 | |
| | | | 6 V | | 12 | 27 | | 41 | | 34 | |
| t_{pd} | CLK | Any | 2 V | | 56 | 160 | | 240 | | 200 | ns |
| | | | 4.5 V | | 15 | 32 | | 48 | | 40 | |
| | | | 6 V | | 13 | 27 | | 41 | | 34 | |
| t_t | | Any | 2 V | | 38 | 75 | | 110 | | 95 | ns |
| | | | 4.5 V | | 8 | 15 | | 22 | | 19 | |
| | | | 6 V | | 6 | 13 | | 19 | | 16 | |

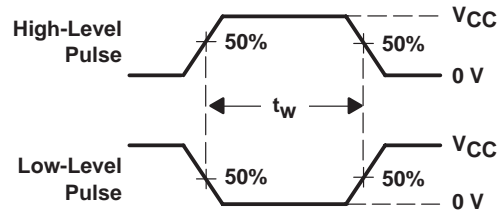
operating characteristics, $T_A = 25^\circ\text{C}$

| PARAMETER | TEST CONDITIONS | TYP | UNIT |
|------------------------------------------------------|-----------------|-----|------|
| C_{pd} Power dissipation capacitance per flip-flop | No load | 35 | pF |

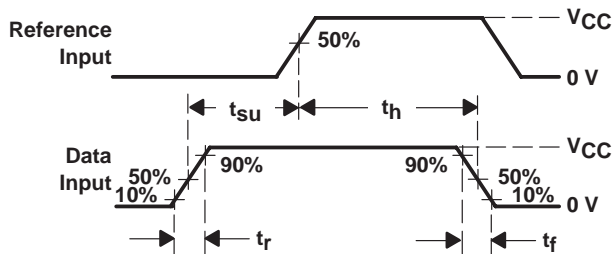
PARAMETER MEASUREMENT INFORMATION



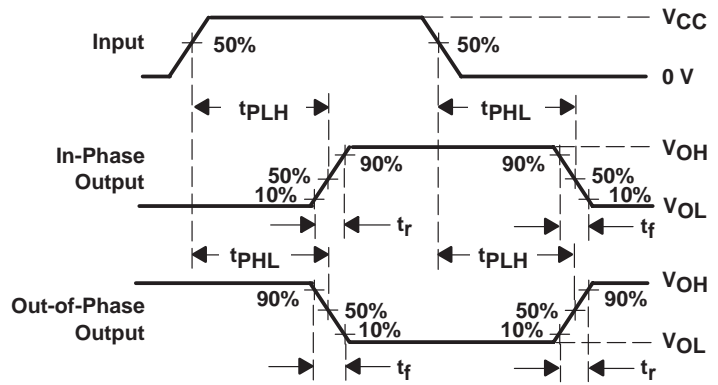
LOAD CIRCUIT



VOLTAGE WAVEFORMS
PULSE DURATIONS



VOLTAGE WAVEFORMS
SETUP AND HOLD AND INPUT RISE AND FALL TIMES



VOLTAGE WAVEFORMS
PROPAGATION DELAY AND OUTPUT TRANSITION TIMES

- NOTES: A. C_L includes probe and test-fixture capacitance.
 B. Phase relationships between waveforms were chosen arbitrarily. All input pulses are supplied by generators having the following characteristics: $PRR \leq 1 \text{ MHz}$, $Z_O = 50 \Omega$, $t_r = 6 \text{ ns}$, $t_f = 6 \text{ ns}$.
 C. For clock inputs, f_{max} is measured when the input duty cycle is 50%.
 D. The outputs are measured one at a time with one input transition per measurement.
 E. t_{PLH} and t_{PHL} are the same as t_{pd} .

Figure 1. Load Circuit and Voltage Waveforms

■

■

PACKAGING INFORMATION

| Orderable Device | Status ⁽¹⁾ | Package Type | Package Drawing | Pins | Package Qty | Eco Plan ⁽²⁾ | Lead/Ball Finish | MSL Peak Temp ⁽³⁾ |
|------------------|-----------------------|--------------|-----------------|------|-------------|-------------------------|------------------|--------------------------------------------|
| 84099012A | ACTIVE | LCCC | FK | 20 | 1 | None | Call TI | Level-NC-NC-NC |
| 8409901RA | ACTIVE | CDIP | J | 20 | 1 | None | Call TI | Level-NC-NC-NC |
| 8409901SA | ACTIVE | CFP | W | 20 | 1 | None | Call TI | Level-NC-NC-NC |
| JM38510/65601BRA | ACTIVE | CDIP | J | 20 | 1 | None | Call TI | Level-NC-NC-NC |
| JM38510/65601BSA | ACTIVE | CFP | W | 20 | 1 | None | Call TI | Level-NC-NC-NC |
| SN54HC273J | ACTIVE | CDIP | J | 20 | 1 | None | Call TI | Level-NC-NC-NC |
| SN74HC273DBLE | OBSOLETE | SSOP | DB | 20 | | None | Call TI | Call TI |
| SN74HC273DBR | ACTIVE | SSOP | DB | 20 | 2000 | Pb-Free (RoHS) | CU NIPDAU | Level-2-260C-1 YEAR/ Level-1-235C-UNLIM |
| SN74HC273DW | ACTIVE | SOIC | DW | 20 | 25 | Pb-Free (RoHS) | CU NIPDAU | Level-2-250C-1 YEAR/ Level-1-235C-UNLIM |
| SN74HC273DWR | ACTIVE | SOIC | DW | 20 | 2000 | Pb-Free (RoHS) | CU NIPDAU | Level-2-250C-1 YEAR/ Level-1-235C-UNLIM |
| SN74HC273N | ACTIVE | PDIP | N | 20 | 20 | Pb-Free (RoHS) | CU NIPDAU | Level-NC-NC-NC |
| SN74HC273N3 | OBSOLETE | PDIP | N | 20 | | None | Call TI | Call TI |
| SN74HC273NSR | ACTIVE | SO | NS | 20 | 2000 | Pb-Free (RoHS) | CU NIPDAU | Level-2-260C-1 YEAR/ Level-1-235C-UNLIM |
| SN74HC273PW | ACTIVE | TSSOP | PW | 20 | 70 | Pb-Free (RoHS) | CU NIPDAU | Level-1-250C-UNLIM |
| SN74HC273PWLE | OBSOLETE | TSSOP | PW | 20 | | None | Call TI | Call TI |
| SN74HC273PWR | ACTIVE | TSSOP | PW | 20 | 2000 | Pb-Free (RoHS) | CU NIPDAU | Level-1-250C-UNLIM |
| SN74HC273PWT | ACTIVE | TSSOP | PW | 20 | 250 | Pb-Free (RoHS) | CU NIPDAU | Level-1-250C-UNLIM |
| SNJ54HC273FK | ACTIVE | LCCC | FK | 20 | 1 | None | Call TI | Level-NC-NC-NC |
| SNJ54HC273J | ACTIVE | CDIP | J | 20 | 1 | None | Call TI | Level-NC-NC-NC |
| SNJ54HC273W | ACTIVE | CFP | W | 20 | 1 | None | Call TI | Level-NC-NC-NC |

⁽¹⁾ The marketing status values are defined as follows:

ACTIVE: Product device recommended for new designs.

LIFEBUY: TI has announced that the device will be discontinued, and a lifetime-buy period is in effect.

NRND: Not recommended for new designs. Device is in production to support existing customers, but TI does not recommend using this part in a new design.

PREVIEW: Device has been announced but is not in production. Samples may or may not be available.

OBSOLETE: TI has discontinued the production of the device.

⁽²⁾ Eco Plan - May not be currently available - please check <http://www.ti.com/productcontent> for the latest availability information and additional product content details.

None: Not yet available Lead (Pb-Free).

Pb-Free (RoHS): TI's terms "Lead-Free" or "Pb-Free" mean semiconductor products that are compatible with the current RoHS requirements for all 6 substances, including the requirement that lead not exceed 0.1% by weight in homogeneous materials. Where designed to be soldered at high temperatures, TI Pb-Free products are suitable for use in specified lead-free processes.

Green (RoHS & no Sb/Br): TI defines "Green" to mean "Pb-Free" and in addition, uses package materials that do not contain halogens, including bromine (Br) or antimony (Sb) above 0.1% of total product weight.

⁽³⁾ MSL, Peak Temp. -- The Moisture Sensitivity Level rating according to the JEDEC industry standard classifications, and peak solder temperature.

Important Information and Disclaimer: The information provided on this page represents TI's knowledge and belief as of the date that it is

provided. TI bases its knowledge and belief on information provided by third parties, and makes no representation or warranty as to the accuracy of such information. Efforts are underway to better integrate information from third parties. TI has taken and continues to take reasonable steps to provide representative and accurate information but may not have conducted destructive testing or chemical analysis on incoming materials and chemicals. TI and TI suppliers consider certain information to be proprietary, and thus CAS numbers and other limited information may not be available for release.

In no event shall TI's liability arising out of such information exceed the total purchase price of the TI part(s) at issue in this document sold by TI to Customer on an annual basis.

J (R-GDIP-T**)

14 LEADS SHOWN

CERAMIC DUAL IN-LINE PACKAGE



| DIM \ PINS ** | 14 | 16 | 18 | 20 |
|---------------|------------------------|------------------------|------------------------|------------------------|
| A | 0.300 (7,62) BSC | 0.300 (7,62) BSC | 0.300 (7,62) BSC | 0.300 (7,62) BSC |
| B MAX | 0.785 (19,94) | .840 (21,34) | 0.960 (24,38) | 1.060 (26,92) |
| B MIN | — | — | — | — |
| C MAX | 0.300 (7,62) | 0.300 (7,62) | 0.310 (7,87) | 0.300 (7,62) |
| C MIN | 0.245 (6,22) | 0.245 (6,22) | 0.220 (5,59) | 0.245 (6,22) |



4040083/F 03/03

- NOTES:
- All linear dimensions are in inches (millimeters).
 - This drawing is subject to change without notice.
 - This package is hermetically sealed with a ceramic lid using glass frit.
 - Index point is provided on cap for terminal identification only on press ceramic glass frit seal only.
 - Falls within MIL STD 1835 GDIP1-T14, GDIP1-T16, GDIP1-T18 and GDIP1-T20.

W (R-GDFP-F20)

CERAMIC DUAL FLATPACK



- NOTES:
- A. All linear dimensions are in inches (millimeters).
 - B. This drawing is subject to change without notice.
 - C. This package can be hermetically sealed with a ceramic lid using glass frit.
 - D. Index point is provided on cap for terminal identification only.
 - E. Falls within Mil-Std 1835 GDFP2-F20

FK (S-CQCC-N**)

LEADLESS CERAMIC CHIP CARRIER

28 TERMINAL SHOWN



- NOTES:
- A. All linear dimensions are in inches (millimeters).
 - B. This drawing is subject to change without notice.
 - C. This package can be hermetically sealed with a metal lid.
 - D. The terminals are gold plated.
 - E. Falls within JEDEC MS-004

N (R-PDIP-T**)

PLASTIC DUAL-IN-LINE PACKAGE

16 PINS SHOWN



- NOTES:
- A. All linear dimensions are in inches (millimeters).
 - B. This drawing is subject to change without notice.
 - Falls within JEDEC MS-001, except 18 and 20 pin minimum body length (Dim A).
 - The 20 pin end lead shoulder width is a vendor option, either half or full width.

DW (R-PDSO-G20)

PLASTIC SMALL-OUTLINE PACKAGE



- NOTES:
- A. All linear dimensions are in inches (millimeters).
 - B. This drawing is subject to change without notice.
 - C. Body dimensions do not include mold flash or protrusion not to exceed 0.006 (0,15).
 - D. Falls within JEDEC MS-013 variation AC.

MECHANICAL DATA

NS (R-PDSO-G**)

PLASTIC SMALL-OUTLINE PACKAGE

14-PINS SHOWN



- NOTES:
- A. All linear dimensions are in millimeters.
 - B. This drawing is subject to change without notice.
 - C. Body dimensions do not include mold flash or protrusion, not to exceed 0,15.

DB (R-PDSO-G**)

PLASTIC SMALL-OUTLINE

28 PINS SHOWN



- NOTES: A. All linear dimensions are in millimeters.
 B. This drawing is subject to change without notice.
 C. Body dimensions do not include mold flash or protrusion not to exceed 0,15.
 D. Falls within JEDEC MO-150

PW (R-PDSO-G**)

PLASTIC SMALL-OUTLINE PACKAGE

14 PINS SHOWN



4040064/F 01/97

- NOTES: A. All linear dimensions are in millimeters.
 B. This drawing is subject to change without notice.
 C. Body dimensions do not include mold flash or protrusion not to exceed 0,15.
 D. Falls within JEDEC MO-153

IMPORTANT NOTICE

Texas Instruments Incorporated and its subsidiaries (TI) reserve the right to make corrections, modifications, enhancements, improvements, and other changes to its products and services at any time and to discontinue any product or service without notice. Customers should obtain the latest relevant information before placing orders and should verify that such information is current and complete. All products are sold subject to TI's terms and conditions of sale supplied at the time of order acknowledgment.

TI warrants performance of its hardware products to the specifications applicable at the time of sale in accordance with TI's standard warranty. Testing and other quality control techniques are used to the extent TI deems necessary to support this warranty. Except where mandated by government requirements, testing of all parameters of each product is not necessarily performed.

TI assumes no liability for applications assistance or customer product design. Customers are responsible for their products and applications using TI components. To minimize the risks associated with customer products and applications, customers should provide adequate design and operating safeguards.

TI does not warrant or represent that any license, either express or implied, is granted under any TI patent right, copyright, mask work right, or other TI intellectual property right relating to any combination, machine, or process in which TI products or services are used. Information published by TI regarding third-party products or services does not constitute a license from TI to use such products or services or a warranty or endorsement thereof. Use of such information may require a license from a third party under the patents or other intellectual property of the third party, or a license from TI under the patents or other intellectual property of TI.

Reproduction of information in TI data books or data sheets is permissible only if reproduction is without alteration and is accompanied by all associated warranties, conditions, limitations, and notices. Reproduction of this information with alteration is an unfair and deceptive business practice. TI is not responsible or liable for such altered documentation.

Resale of TI products or services with statements different from or beyond the parameters stated by TI for that product or service voids all express and any implied warranties for the associated TI product or service and is an unfair and deceptive business practice. TI is not responsible or liable for any such statements.

Following are URLs where you can obtain information on other Texas Instruments products and application solutions:

| Products | | Applications | |
|------------------|--------------------------------------------------------------------|---------------------|--------------------------------------------------------------------------|
| Amplifiers | amplifier.ti.com | Audio | www.ti.com/audio |
| Data Converters | dataconverter.ti.com | Automotive | www.ti.com/automotive |
| DSP | dsp.ti.com | Broadband | www.ti.com/broadband |
| Interface | interface.ti.com | Digital Control | www.ti.com/digitalcontrol |
| Logic | logic.ti.com | Military | www.ti.com/military |
| Power Mgmt | power.ti.com | Optical Networking | www.ti.com/opticalnetwork |
| Microcontrollers | microcontroller.ti.com | Security | www.ti.com/security |
| | | Telephony | www.ti.com/telephony |
| | | Video & Imaging | www.ti.com/video |
| | | Wireless | www.ti.com/wireless |

Mailing Address: Texas Instruments
Post Office Box 655303 Dallas, Texas 75265

Copyright © Each Manufacturing Company.

All Datasheets cannot be modified without permission.

This datasheet has been download from :

www.AllDataSheet.com

100% Free DataSheet Search Site.

Free Download.

No Register.

Fast Search System.

www.AllDataSheet.com