



# 1.5°C Accurate Programmable Digital Temperature Sensors with SPI™ Interface

## FEATURES

- **DIGITAL OUTPUT: SPI-Compatible Interface**
- **PROGRAMMABLE RESOLUTION:**  
9- to 12-Bits + Sign
- **ACCURACY:**  
±1.5°C from –25°C to +85°C (max)  
±2.0°C from –40°C to +125°C (max)
- **LOW QUIESCENT CURRENT: 50µA**
- **WIDE SUPPLY RANGE: 2.7V to 5.5V**
- **TINY SOT23-6 AND SO-8 PACKAGES**
- **OPERATION TO 150°C**
- **PROGRAMMABLE HIGH/LOW SETPOINTS**

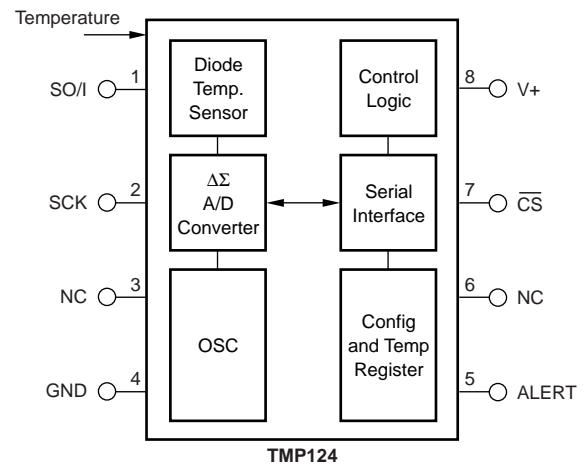
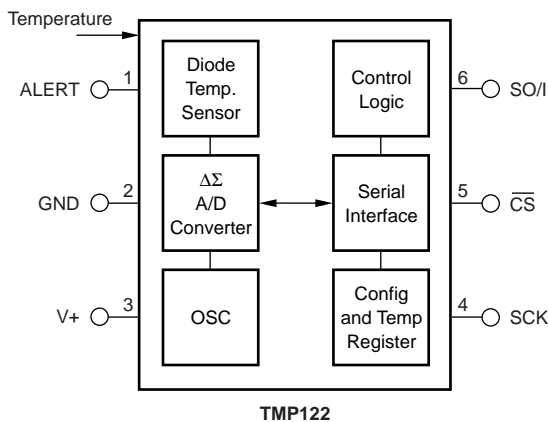
## APPLICATIONS

- **POWER-SUPPLY TEMPERATURE MONITORING**
- **COMPUTER PERIPHERAL THERMAL PROTECTION**
- **NOTEBOOK COMPUTERS**
- **CELL PHONES**
- **BATTERY MANAGEMENT**
- **OFFICE MACHINES**
- **THERMOSTAT CONTROLS**
- **ENVIRONMENTAL MONITORING and HVAC**
- **ELECTROMECHANICAL DEVICE TEMPERATURE**

## DESCRIPTION

The TMP122 and TMP124 are SPI-compatible temperature sensors available in SOT23-6 and SO-8 packages. Requiring only a pull-up resistor for complete function, the TMP122 and TMP124 temperature sensors are capable of measuring temperatures within 2°C of accuracy over a temperature range of –40°C to +125°C, with operation up to 150°C. Programmable resolution, programmable set points and shut down function provide versatility for any application. Low supply current and a supply range from 2.7V to 5.5V make the TMP122 and TMP124 excellent candidates for low-power applications.

The TMP122 and TMP124 are ideal for extended thermal measurement in a variety of communication, computer, consumer, environmental, industrial, and instrumentation applications.



Please be aware that an important notice concerning availability, standard warranty, and use in critical applications of Texas Instruments semiconductor products and disclaimers thereto appears at the end of this data sheet.

SPI is a registered trademark of Motorola. All other trademarks are the property of their respective owners.

## ABSOLUTE MAXIMUM RATINGS<sup>(1)</sup>

Power Supply, V+	7V
Input Voltage <sup>(2)</sup>	-0.3V to 7V
Input Current	10mA
Operating Temperature Range	-55°C to +150°C
Storage Temperature Range	-60°C to +150°C
Junction Temperature (T <sub>J</sub> Max)	+150°C
Lead Temperature (soldering)	+300°C

NOTES: (1) Stresses above those listed under "Absolute Maximum Ratings" may cause permanent damage to the device. Exposure to absolute maximum conditions for extended periods may affect device reliability. (2) Input voltage rating applies to all TMP122 and TMP124 input voltages.



## ELECTROSTATIC DISCHARGE SENSITIVITY

This integrated circuit can be damaged by ESD. Texas Instruments recommends that all integrated circuits be handled with appropriate precautions. Failure to observe proper handling and installation procedures can cause damage.

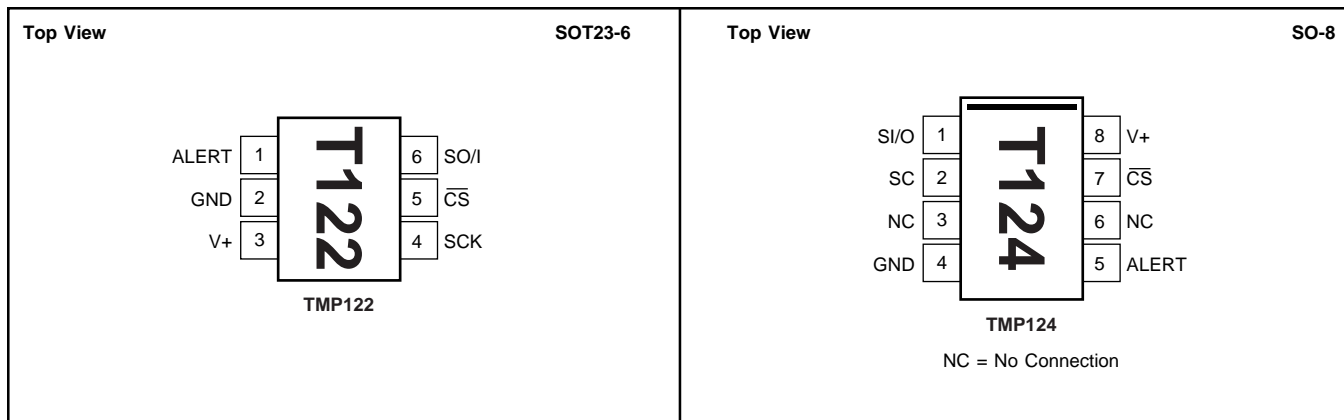
ESD damage can range from subtle performance degradation to complete device failure. Precision integrated circuits may be more susceptible to damage because very small parametric changes could cause the device not to meet its published specifications.

## PACKAGE/ORDERING INFORMATION

PRODUCT	PACKAGE-LEAD	PACKAGE DESIGNATOR <sup>(1)</sup>	SPECIFIED TEMPERATURE RANGE	PACKAGE MARKING	ORDERING NUMBER	TRANSPORT MEDIA, QUANTITY
TMP122	SOT23-6	DBV	-40°C to +125°C	T122	TMP122AIDBVT	Tape and Reel, 250
"	"	"	"	"	TMP122AIDBVR	Tape and Reel, 3000
TMP124	SO-8	D	-40°C to +125°C	T124	TMP124AID	Rails, 100
"	"	"	"	"	TMP124AIDR	Tape and Reel, 2500

NOTE: (1) For the most current specifications and package information, refer to our web site at [www.ti.com](http://www.ti.com).

## PIN CONFIGURATIONS



# ELECTRICAL CHARACTERISTICS

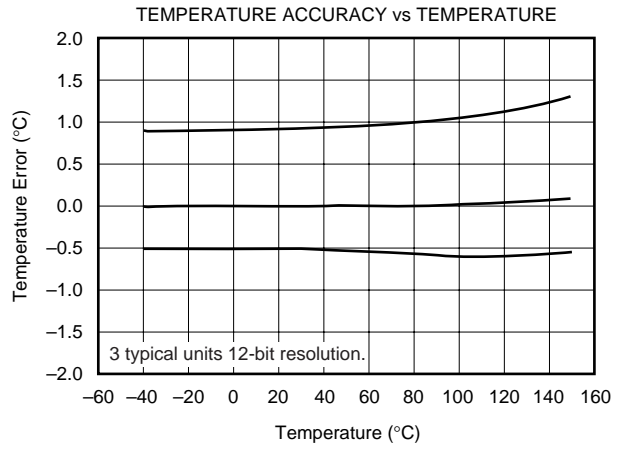
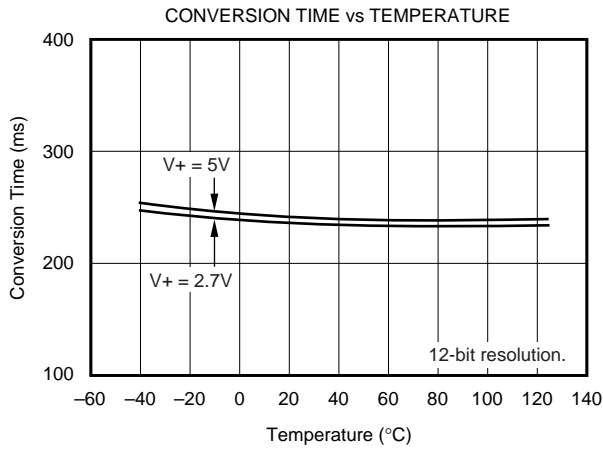
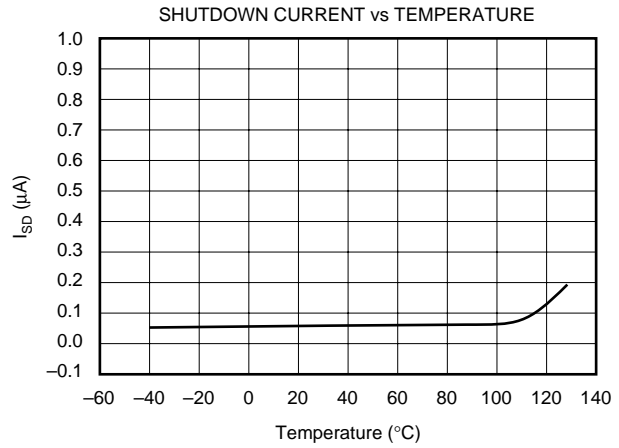
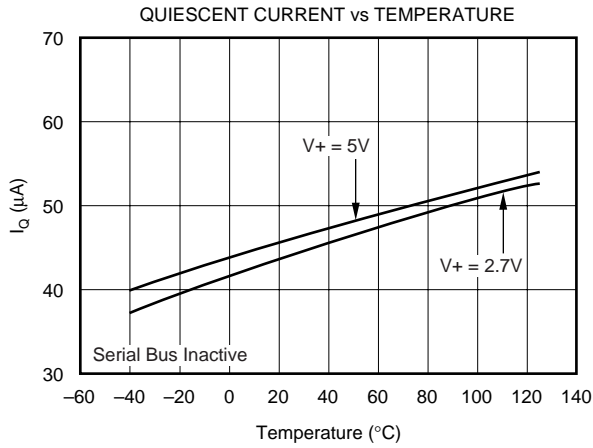
At  $T_A = -40^\circ\text{C}$  to  $+125^\circ\text{C}$ , and  $V_+ = 2.7\text{V}$  to  $5.5\text{V}$ , unless otherwise noted.

PARAMETER	CONDITION	TMP122, TMP124			UNITS
		MIN	TYP	MAX	
<b>TEMPERATURE INPUT</b>					
Range		-40		+125	$^\circ\text{C}$
Accuracy (Temperature Error)	-25 $^\circ\text{C}$ to +85 $^\circ\text{C}$		$\pm 0.5$	$\pm 1.5$	$^\circ\text{C}$
	-40 $^\circ\text{C}$ to +125 $^\circ\text{C}$		$\pm 1.0$	$\pm 2.0$	$^\circ\text{C}$
	-55 $^\circ\text{C}$ to +150 $^\circ\text{C}$		$\pm 1.5$		$^\circ\text{C}$
vs Supply Resolution <sup>(1)</sup>	Selectable	-0.3	0.1 $\pm 0.0625$	+0.3	$^\circ\text{C}/\text{V}$ $^\circ\text{C}$
<b>DIGITAL INPUT/OUTPUT</b>					
Input Logic Levels:					
$V_{IH}$		0.7(V+)			V
$V_{IL}$				0.3(V+)	V
Input Current, SO/I, SCK, $\overline{\text{CS}}$	$0\text{V} \leq V_{IN} \leq V_+$			$\pm 1$	$\mu\text{A}$
Output Logic Levels:					
$V_{OL}$ SO/I	$I_{SINK} = 3\text{mA}$			0.4	V
$V_{OH}$ SO/I	$I_{SOURCE} = 2\text{mA}$	(V+)-0.4			V
$V_{OL}$ ALERT	$I_{SINK} = 4\text{mA}$			0.4	V
Leakage Current ALERT	$0\text{V} \leq V_{IN} \leq 6\text{V}$			$\pm 1$	$\mu\text{A}$
Input Capacitance, SO/I, SCK, $\overline{\text{CS}}$ , ALERT			2.5		pF
Resolution	Selectable		9 to 12 + Sign		Bits
Conversion Time	9-Bit + Sign		30	40	ms
	10-Bit + Sign		60	80	ms
	11-Bit + Sign		120	160	ms
	12-Bit + Sign		240	320	ms
<b>POWER SUPPLY</b>					
Operating Range		2.7		5.5	V
Quiescent Current	$I_Q$ Serial Bus Inactive		50	75	$\mu\text{A}$
Shutdown Current	$I_{SD}$ Serial Bus Inactive		0.1	1	$\mu\text{A}$
<b>TEMPERATURE RANGE</b>					
Specified Range		-40		+125	$^\circ\text{C}$
Operating Range		-55		+150	$^\circ\text{C}$
Storage Range		-60		+150	$^\circ\text{C}$
Thermal Resistance, $\theta_{JA}$	SOT23-6 Surface-Mount		200		$^\circ\text{C}/\text{W}$
	SO-8 Surface-Mount		150		$^\circ\text{C}/\text{W}$

NOTE: (1) Specified for 12-bit resolution.

# TYPICAL CHARACTERISTICS

At  $T_A = +25^\circ\text{C}$ , and  $V_+ = 5.0\text{V}$ , unless otherwise noted.



# APPLICATIONS INFORMATION

The TMP122 and TMP124 digital temperature sensors are optimal for thermal management and thermal protection applications. The TMP122/TMP124 are SPI interface-compatible and specified for a temperature range of  $-40^{\circ}\text{C}$  to  $+125^{\circ}\text{C}$ .

The TMP122/TMP124 require minimal external components for operation, needing only a pull-up resistor on the ALERT pin and a bypass capacitor on the supply. Bypass capacitors of  $0.1\mu\text{F}$  is recommended. Figure 1 shows typical connections for the TMP122 and TMP124.

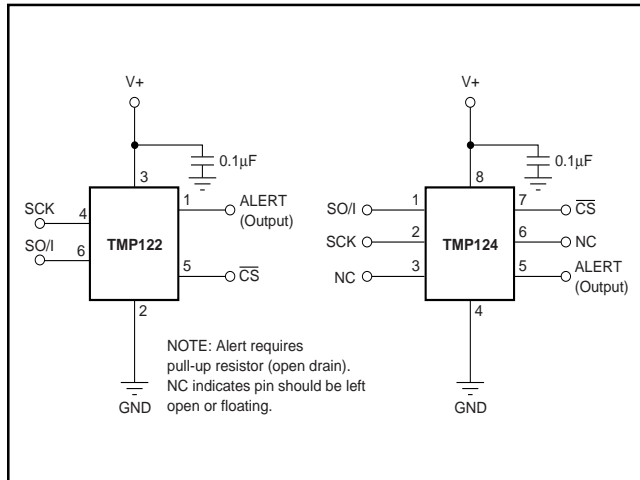


FIGURE 1. Typical Connections of the TMP122 and TMP124.

To maintain accuracy in applications requiring air or surface temperature measurement, care should be taken to isolate the package and leads from ambient air temperature.

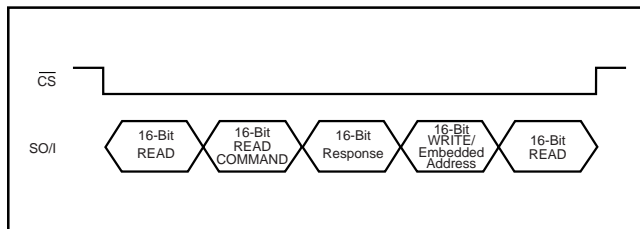


FIGURE 2. Multiple Command Sequence.

# COMMUNICATING WITH THE TMP122

The TMP122/TMP124 converts continuously. If  $\overline{\text{CS}}$  is brought low during a conversion the conversion process continues, but the last completed conversion is available at the output register. Communication with the TMP122/TMP124 is initiated by pulling  $\overline{\text{CS}}$  low. The first 16 clocks of data transfer will return temperature data from the temperature sensors. The 16-bit data word is clocked out sign bit first, followed by the MSB. Any portion of the 16-bit word may be read before raising  $\overline{\text{CS}}$ . If the user wishes to continue with  $\overline{\text{CS}}$  low, the following 16 clocks transfer in a READ or WRITE command. READ and WRITE commands are described in Tables I and II.

The READ command contains an embedded address in bits D4 and D3 to identify which register to read. Bits D4 and D3 are internally registered and will hold their value following a READ command until a entire 16-bit read is completed by the user. The completion of the 16-bit READ acknowledges that the READ command has been completed. If the user issues a READ command and then raises  $\overline{\text{CS}}$  with less than 16 subsequent clocks, the data from that register will be available at the next fall of  $\overline{\text{CS}}$ . The registered READ address will remain in effect until a full 16 clocks have been received. After the completion of a 16-bit READ from the part, the READ address is reset to return data from the Temperature Register. A WRITE command to a register will not change the READ address registered. For further discussion on the READ address register, see the *Read Address Register* section.

Multiple commands may be strung together as illustrated in Figure 2. The TMP122/TMP124 accepts commands alternating with 16-bit response data. On lowering  $\overline{\text{CS}}$ , the part always responds with a READ from the address location indicated by the READ address register. If the next command is a READ command then data is returned from the address specified by the READ command with the 16th clock resetting the READ address register to the default temperature register. The TMP122/TMP124 then expect a 16-bit command. If the command is a WRITE command, then the 16 clocks following the command will again return temperature data.

Figures 3, 4, 5, and 6 detail the communication sequences.

Read Command	D15	D14	D13	D12	D11	D10	D9	D8	D7	D6	D5	D4	D3	D2	D1	D0
Temperature	1	0	0	0	0	0	0	0	0	0	0	0	0	0	0	0
Configuration Register	1	0	0	0	0	0	0	0	0	0	0	0	1	0	0	0
Low Temp Threshold	1	0	0	0	0	0	0	0	0	0	0	1	0	0	0	0
High Temp Threshold	1	0	0	0	0	0	0	0	0	0	0	1	1	0	0	0

TABLE I. Read Command.

Write Command	D15	D14	D13	D12	D11	D10	D9	D8	D7	D6	D5	D4	D3	D2	D1	D0
Configuration Register	0	0	0	0	D1	D0	R1	R0	F1	F0	POL	TM1	TM0	0	1	0
Low Temp Threshold	T12	T11	T10	T9	T8	T7	T6	T5	T4	T3	T2	T1	T0	1	0	0
High Temp Threshold	T12	T11	T10	T9	T8	T7	T6	T5	T4	T3	T2	T1	T0	1	1	0
Shutdown Command	x	x	x	x	x	x	x	x	1	1	1	1	1	1	1	1

TABLE II. Write Command.

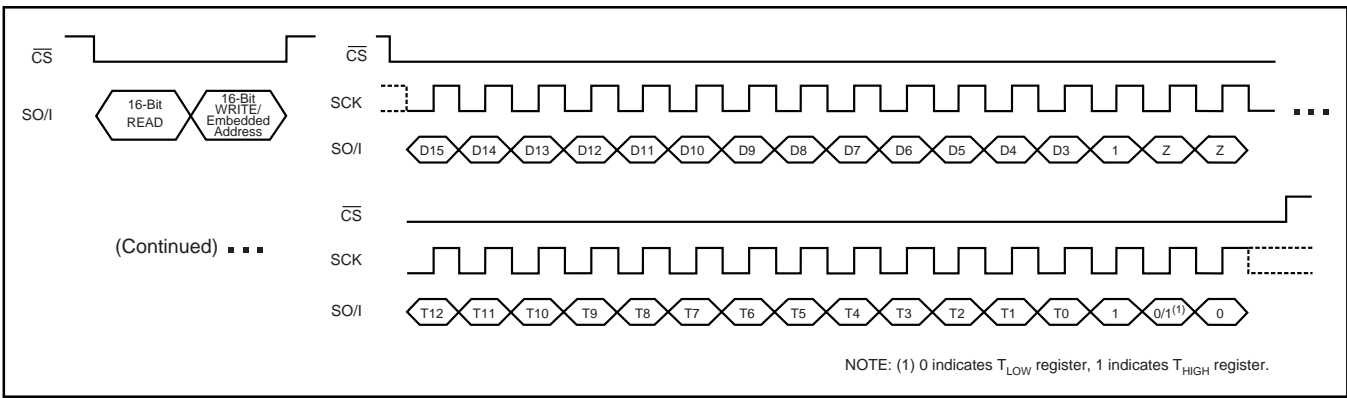


FIGURE 3. READ followed by WRITE COMMAND to  $T_{LOW}/T_{HIGH}$  Register.

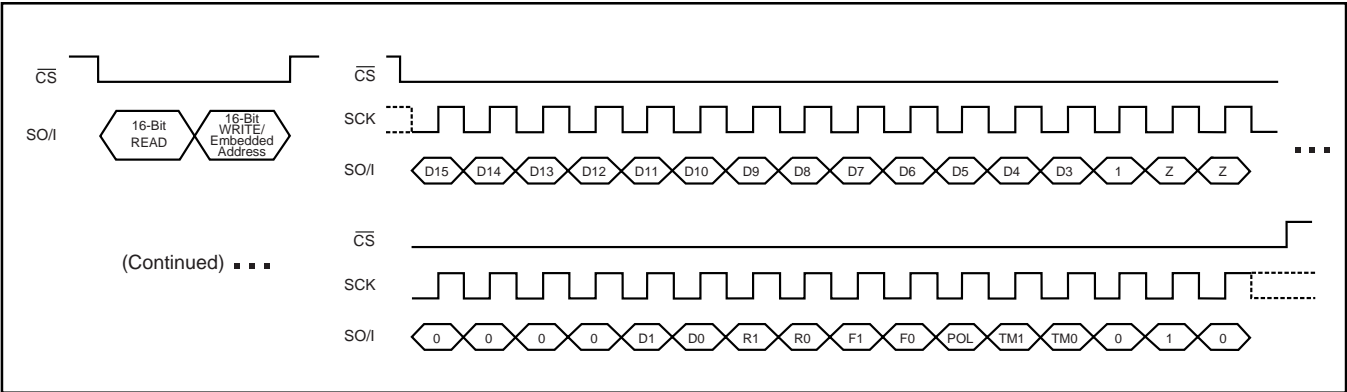


FIGURE 4. READ followed by WRITE COMMAND to Configuration Register.

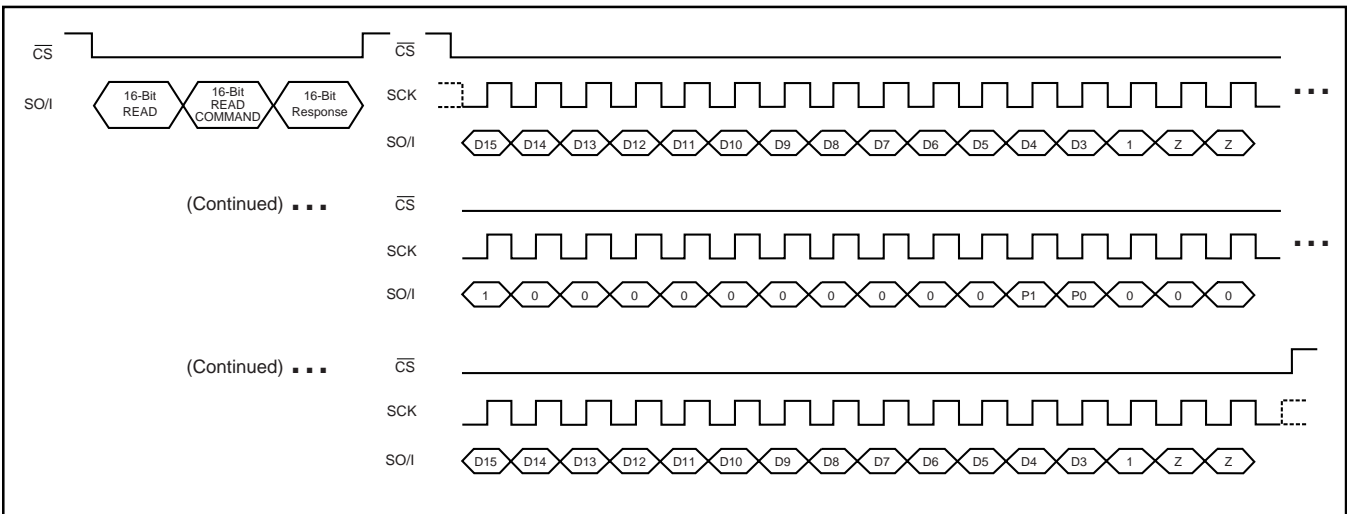


FIGURE 5. READ followed by READ COMMAND and Response.

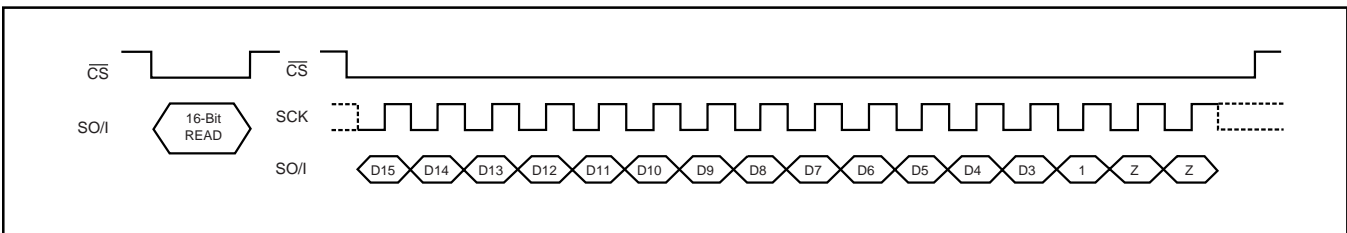


FIGURE 6. Data READ.

## READ ADDRESS REGISTER

Figure 7 shows the internal register structure of the TMP122/TMP124. Table III describes the addresses of the registers available. The READ address register uses the two bits to identify which of the data registers should respond to a read command. Following a complete 16-bit read, the READ address register is reset to the default power-up state of P1/P0 equal 0/0.

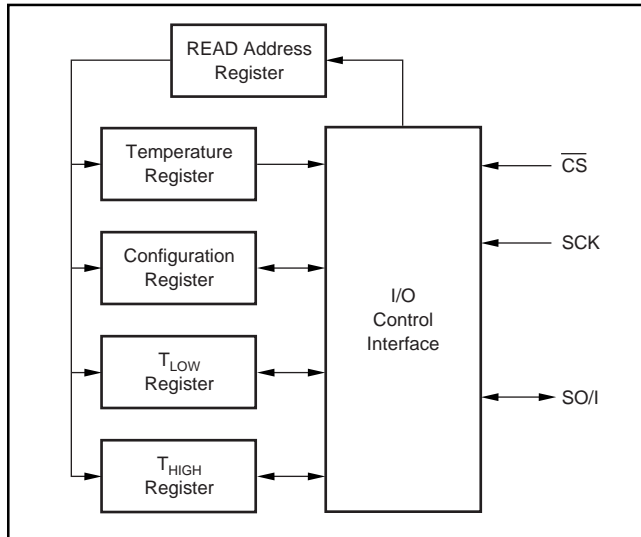


FIGURE 7. Internal Register Structure of the TMP122 and TMP124.

P1	P0	REGISTER
0	0	Temperature Register (READ Only)
0	1	Configuration Register (READ/WRITE)
1	0	T <sub>LOW</sub> Register (READ/WRITE)
1	1	T <sub>HIGH</sub> Register (READ/WRITE)

TABLE III. Pointer Addresses of the TMP122 and TMP124 Registers.

## TEMPERATURE REGISTER

The Temperature Register of the TMP122/TMP124 is a 16-bit, signed read-only register that stores the output of the most recent conversion. The TMP122/TMP124 are specified for the temperature range of  $-40^{\circ}\text{C}$  to  $+125^{\circ}\text{C}$  with operation from  $-55^{\circ}\text{C}$  to  $+150^{\circ}\text{C}$ . Up to 16 bits can be read to obtain data and are described in Table IV. The first 13 bits are used to indicate temperature where bit D2 is 1, and D1, D0 are in a high impedance state. Data format for temperature is summarized in Table V. Following power-up or reset, the Temperature Register will read  $0^{\circ}\text{C}$  until the first conversion is complete.

D15	D14	D13	D12	D11	D10	D9	D8
T12	T11	T10	T9	T8	T7	T6	T5

D7	D6	D5	D4	D3	D2	D1	D0
T4	T3	T2	T1	T0	1	Z	Z

TABLE IV. Temperature Register.

TEMPERATURE ( $^{\circ}\text{C}$ )	DIGITAL OUTPUT <sup>(1)</sup> (BINARY)	HEX
150	0100 1011 0000 0111	4B07
125	0011 1110 1000 0111	3E87
25	0000 1100 1000 0111	0C87
0.0625	0000 0000 0000 1111	000F
0	0000 0000 0000 0111	0007
$-0.0625$	1111 1111 1111 1111	FFFF
$-25$	1111 0011 1000 0111	F387
$-55$	1110 0100 1000 0111	E487

NOTE: (1) The last 2 bits are high impedance and are shown as 11 in the table.

TABLE V. Temperature Data Format.

The user can obtain 9, 10, 11, or 12 bits of resolution by addressing the Configuration Register and setting the resolution bits accordingly. For 9-, 10-, or 11-bit resolution, the most significant bits in the Temperature Register are used with the unused LSBs set to zero.

## CONFIGURATION REGISTER

The Configuration Register is a 16-bit read/write register used to store bits that control the operational modes of the temperature sensor. Read/write operations are performed MSB first. The format of the Configuration Register for the TMP122/TMP124 is shown in Table VI, followed by a breakdown of the register bits. The power-up/reset value of the Configuration Register bits R1/R0 equal 1/1, all other bits equal zero.

D15	D14	D13	D12	D11	D10	D9	D8
0	0	0	0	D1	D0	R1	R0

D7	D6	D5	D4	D3	D2	D1	D0
F1	F0	POL	TM1	TM0	0	1	0

TABLE VI. Configuration Register.

## SHUTDOWN MODE (SD)

The Shutdown Mode of the TMP122/TMP124 can be used to shut down all device circuitry except the serial interface. Shutdown mode occurs when the last 8 bits of the WRITE command are equal to 1, and will occur once the current conversion is completed, reducing current consumption to less than  $1\mu\text{A}$ . To take the part out of shutdown, send any command or pattern after the 16-bit read with the last 8 bits not equal to one. Power on default is in active mode.

## THERMOSTAT MODE (TM1/TM0)

The Thermostat Mode bits of the TMP122/TMP124 indicate to the device whether to operate in Comparator Mode, Interrupt Mode or Interrupt Comparator Mode. For more information on Comparator and Interrupt Mode, see text HIGH and LOW limit registers. The bit assignments for thermostat mode are described in Table VII. Power on default is comparator mode.

TM1	TM0	MODE OF OPERATION
0	0	Comparator Mode
0	1	Interrupt Mode
1	0	Interrupt Comparator Mode
1	1	—

TABLE VII. Mode Settings of the TMP122.

## POLARITY (POL)

The Polarity Bit of the TMP122/TMP124 adjusts the polarity of the ALERT pin output. By default, POL = 0 and the ALERT pin will be active LOW, as shown in Figure 8. For POL = 1 the ALERT Pin will be active HIGH, and the state of the ALERT Pin is inverted.

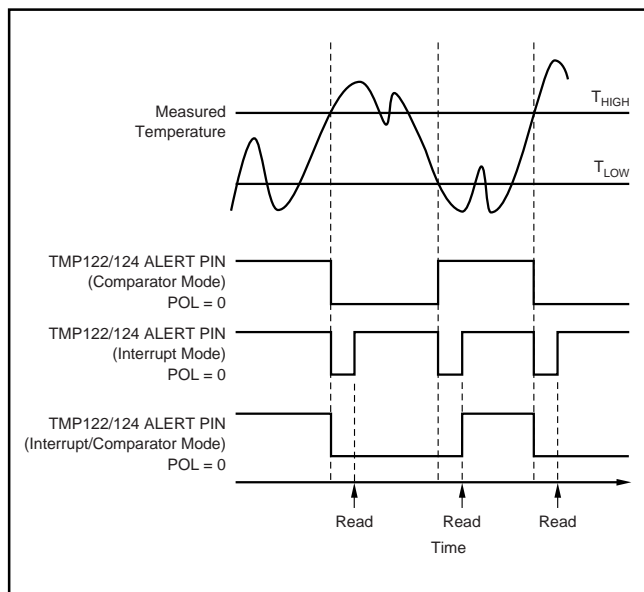


FIGURE 8. ALERT Output Transfer Function Diagrams.

## FAULT QUEUE (F1/F0)

A fault condition occurs when the measured temperature exceeds the limits set in the  $T_{HIGH}$  and  $T_{LOW}$  registers. The Fault Queue is provided to prevent a false alert due to environmental noise and requires consecutive fault measurements to trigger the alert function of the TMP122/TMP124. Table VIII defines the number of consecutive faults required to trigger a consecutive alert condition. Power-on default for F1/F0 is 0/0.

F1	F0	CONSECUTIVE FAULTS
0	0	1
0	1	2
1	0	4
1	1	6

TABLE VIII. Fault Settings of the TMP122 and TMP124.

## HIGH AND LOW LIMIT REGISTERS

In Comparator Mode (TM1/TM0 = 0/0), the ALERT Pin of the TMP122/TMP124 becomes active when the temperature equals or exceeds the value in  $T_{HIGH}$  and generates a consecutive number of faults according to fault bits F1 and F0. The ALERT pin will remain active until the temperature falls below the indicated  $T_{LOW}$  value for the same number of faults.

In Interrupt Mode (TM1/TM0 = 0/1) the ALERT pin becomes active when the temperature equals or exceeds  $T_{HIGH}$  for a consecutive number of fault conditions. The ALERT pin remains active until a read operation of any register occurs. The ALERT pin will also be cleared if the device is placed in Shutdown Mode. Once the ALERT pin is cleared, it will only become active again by the temperature falling below  $T_{LOW}$ . When the temperature falls below  $T_{LOW}$ , the ALERT pin becomes active and remains active until cleared by a read operation of any register. Once the ALERT pin is cleared, the above cycle will repeat with the ALERT pin becoming active when the temperature equals or exceeds  $T_{HIGH}$ .

In Interrupt/Comparator Mode (TM1/TM0 = 1/0), the ALERT Pin of the TMP122/TMP124 becomes active when the temperature equals or exceeds the value in  $T_{HIGH}$  and generates a consecutive number of faults according to fault bits F1 and F0. The ALERT pin will remain active until the temperature falls below the indicated  $T_{LOW}$  value for the same number of faults and a communication with the device has occurred after that point.

Operational modes are represented in Figure 8. Tables IX and X describe the format for the  $T_{HIGH}$  and  $T_{LOW}$  registers. Power-up reset values for  $T_{HIGH}$  and  $T_{LOW}$  are:  $T_{HIGH} = 80^{\circ}\text{C}$  and  $T_{LOW} = 75^{\circ}\text{C}$ . The format of the data for  $T_{HIGH}$  and  $T_{LOW}$  is the same as for the Temperature Register.

All 13 bits for the Temperature,  $T_{HIGH}$ , and  $T_{LOW}$  registers are used in the comparisons for the ALERT function for all converter resolutions. The three LSBs in  $T_{HIGH}$  and  $T_{LOW}$  can affect the ALERT output even if the converter is configured for 9-bit resolution.

D15	D14	D13	D12	D11	D10	D9	D8
H12	H11	H10	H9	H8	H7	H6	H5

D7	D6	D5	D4	D3	D2	D1	D0
H4	H3	H2	H1	H0	1	1	0

TABLE IX.  $T_{HIGH}$  Register.

D15	D14	D13	D12	D11	D10	D9	D8
L12	L11	L10	L9	L8	L7	L6	L5

D7	D6	D5	D4	D3	D2	D1	D0
L4	L3	L2	L1	L0	1	0	0

TABLE X.  $T_{LOW}$  Register.



## CONVERTER RESOLUTION (R1/R0)

The Converter Resolution Bits control the resolution of the internal Analog-to-Digital (A/D) converter. This allows the user to maximize efficiency by programming for higher resolution or faster conversion time. Table XI identifies the Resolution Bits and the relationship between resolution and conversion time. The TMP122/TMP124 have a default resolution of 12 bits.

R1	R0	RESOLUTION	CONVERSION TIME (typical)
0	0	9 Bits (0.5°C) plus sign	30ms
0	1	10 Bits (0.25°C) plus sign	60ms
1	0	11 Bits (0.125°C) plus sign	120ms
1	1	12 Bits (0.0625°C) plus sign	240ms

TABLE XI. Resolution of the TMP122 and TMP124.

## DELAY TIME

The Delay Bits control the amount of time delay between each conversion. This feature allows the user to maximize power savings by eliminating unnecessary conversions, and minimizing current consumption. During active conversion the TMP122/TMP124 typically requires 50μA of current for approximately 0.25s conversion time, and approximately 20μA for idle times between conversions. Delay settings are identified in Table XII as conversion time and period, and are shown in Figure 9. Default power up is D1/D0 equal 0/0. Conversion time and conversion periods scale with resolution. Conversion period denotes time between conversion starts.

D1	D0	CONVERSION TIME	CONVERSION PERIOD
0	0	0.25s	0.25s
0	1	0.25s	0.5s
1	0	0.25s	1s
1	1	0.25s	8s

TABLE XII. Conversion Delay for 12-Bit Resolution.

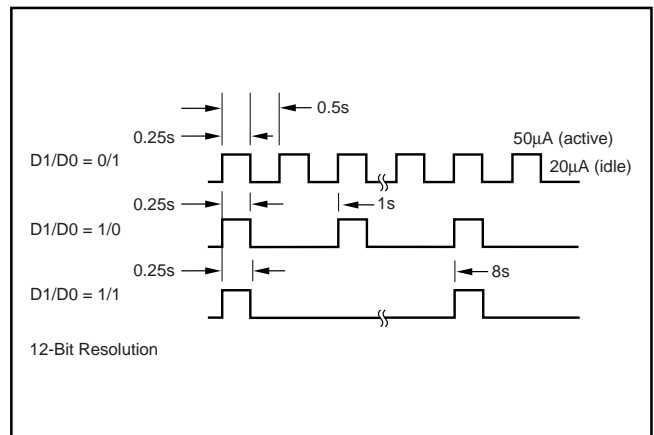


FIGURE 9. Conversion Time and Period Description.

## Timing Diagrams

The TMP122/TMP124 are SPI compatible. Figures 10 to 12 describe the various timing parameters of the TMP122/TMP124 with timing definitions in Table XIII.

PARAMETER		MIN	MAX	UNITS
SCK Period	$t_1$	100		ns
Data In to Rising Edge SCK Setup Time	$t_2$	20		ns
SCK Falling Edge to Output Data Delay	$t_3$		30	ns
SCK Rising Edge to Input Data Hold Time	$t_4$	20		ns
$\overline{CS}$ to Rising Edge SCK Set-Up Time	$t_5$	40		ns
$\overline{CS}$ to Output Data Delay	$t_6$		30	ns
$\overline{CS}$ Rising Edge to Output High Impedance	$t_7$		30	ns

TABLE XIII. Timing Description.

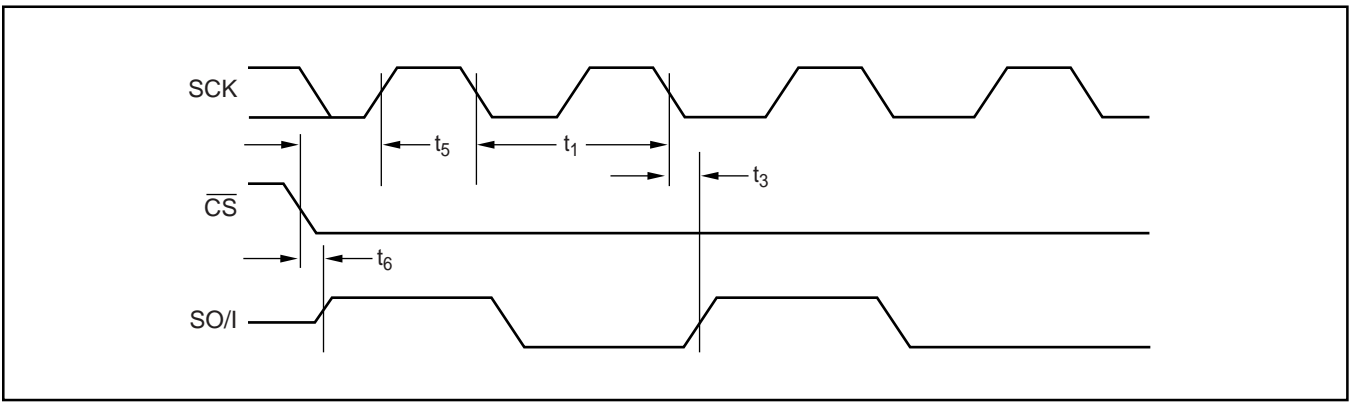


FIGURE 10. Output Data Timing Diagram.

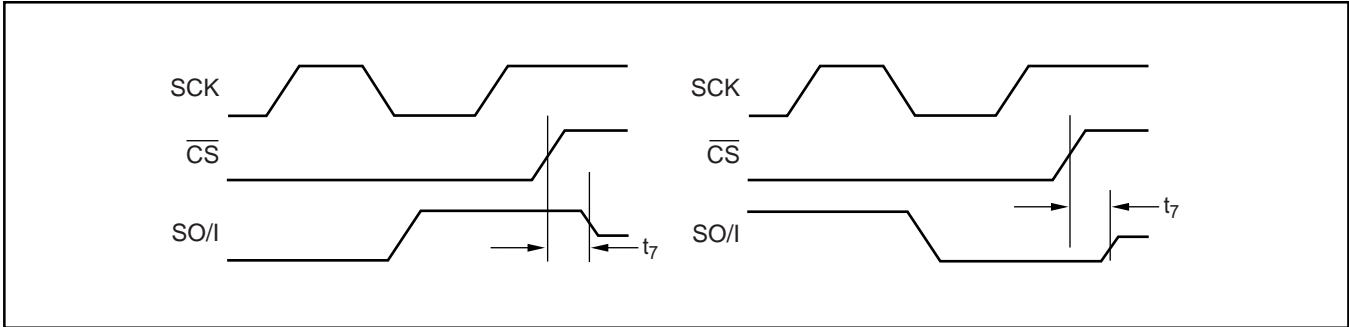


FIGURE 11. High Impedance Output Timing Diagram.

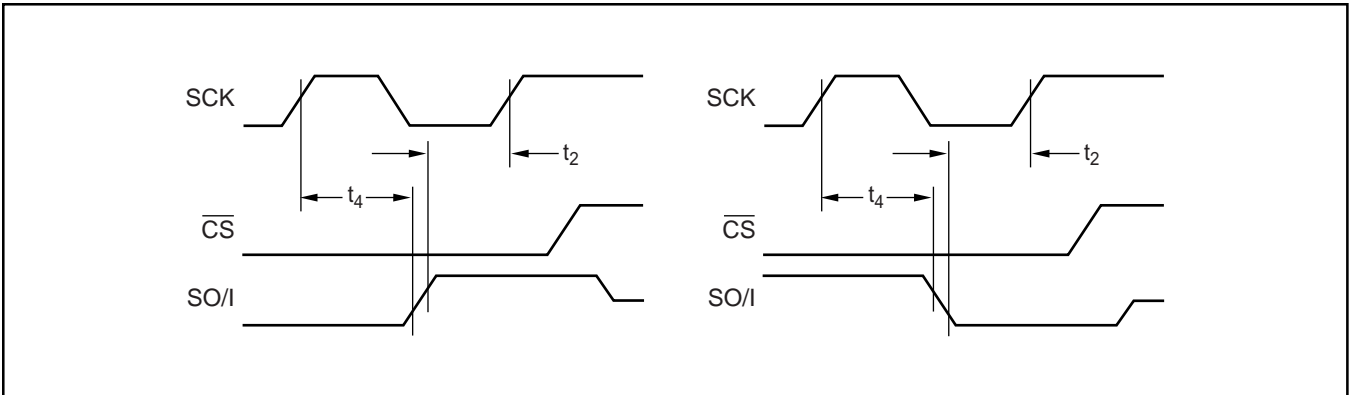


FIGURE 12. Input Data Timing Diagram.

**PACKAGING INFORMATION**

Orderable Device	Status <sup>(1)</sup>	Package Type	Package Drawing	Pins	Package Qty	Eco Plan <sup>(2)</sup>	Lead/Ball Finish	MSL Peak Temp <sup>(3)</sup>
TMP122AIDBVR	ACTIVE	SOT-23	DBV	6	3000	None	CU NIPDAU	Level-1-235C-UNLIM
TMP122AIDBVT	ACTIVE	SOT-23	DBV	6	250	None	CU NIPDAU	Level-1-235C-UNLIM
TMP124AID	ACTIVE	SOIC	D	8	100	Pb-Free (RoHS)	CU NIPDAU	Level-2-260C-1YEAR/ Level-1-220C-UNLIM
TMP124AIDR	ACTIVE	SOIC	D	8	2500	Pb-Free (RoHS)	CU NIPDAU	Level-2-260C-1YEAR/ Level-1-220C-UNLIM

<sup>(1)</sup> The marketing status values are defined as follows:

**ACTIVE:** Product device recommended for new designs.

**LIFEBUY:** TI has announced that the device will be discontinued, and a lifetime-buy period is in effect.

**NRND:** Not recommended for new designs. Device is in production to support existing customers, but TI does not recommend using this part in a new design.

**PREVIEW:** Device has been announced but is not in production. Samples may or may not be available.

**OBSOLETE:** TI has discontinued the production of the device.

<sup>(2)</sup> Eco Plan - May not be currently available - please check <http://www.ti.com/productcontent> for the latest availability information and additional product content details.

**None:** Not yet available Lead (Pb-Free).

**Pb-Free (RoHS):** TI's terms "Lead-Free" or "Pb-Free" mean semiconductor products that are compatible with the current RoHS requirements for all 6 substances, including the requirement that lead not exceed 0.1% by weight in homogeneous materials. Where designed to be soldered at high temperatures, TI Pb-Free products are suitable for use in specified lead-free processes.

**Green (RoHS & no Sb/Br):** TI defines "Green" to mean "Pb-Free" and in addition, uses package materials that do not contain halogens, including bromine (Br) or antimony (Sb) above 0.1% of total product weight.

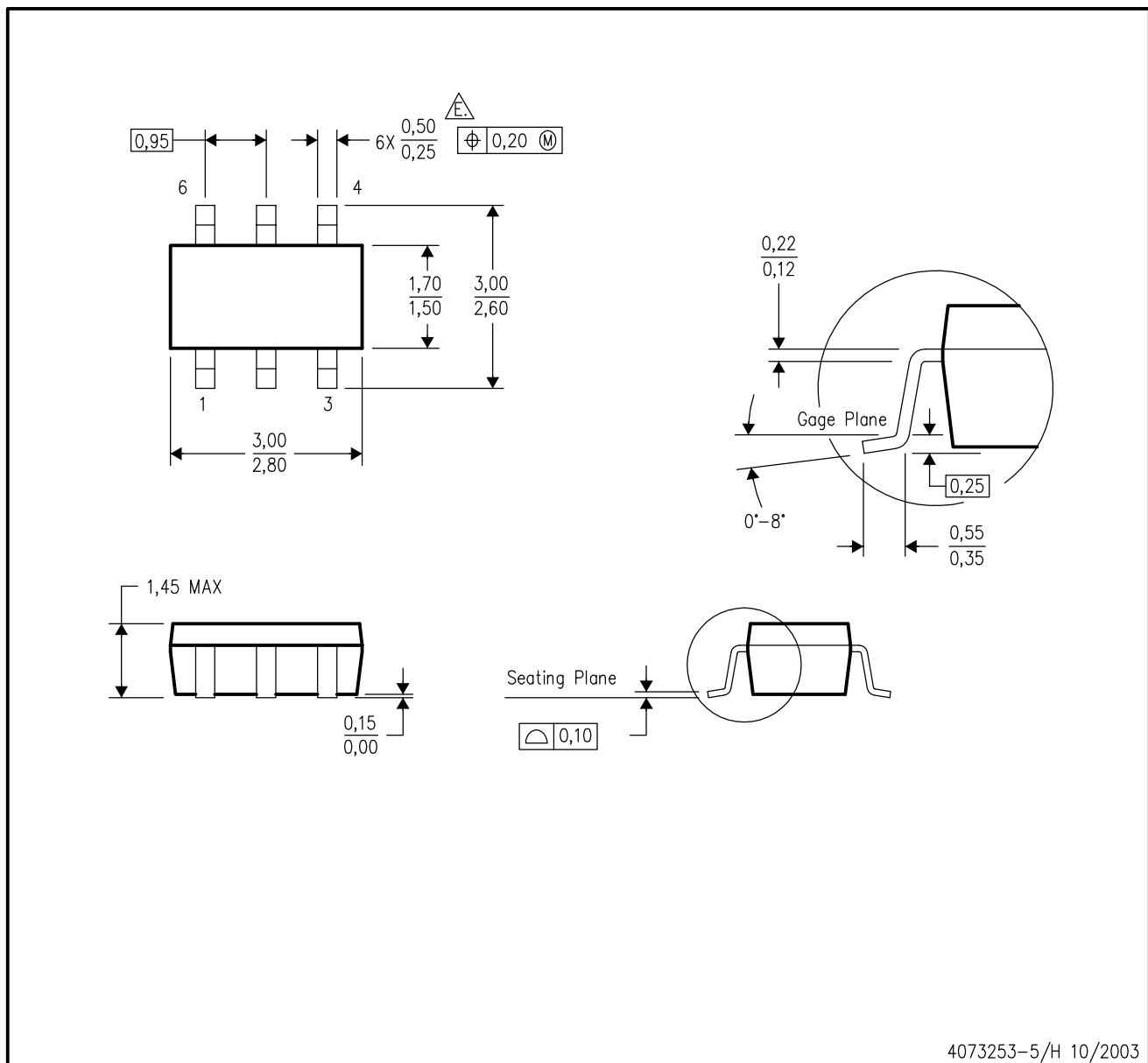
<sup>(3)</sup> MSL, Peak Temp. -- The Moisture Sensitivity Level rating according to the JEDEC industry standard classifications, and peak solder temperature.


**Important Information and Disclaimer:** The information provided on this page represents TI's knowledge and belief as of the date that it is provided. TI bases its knowledge and belief on information provided by third parties, and makes no representation or warranty as to the accuracy of such information. Efforts are underway to better integrate information from third parties. TI has taken and continues to take reasonable steps to provide representative and accurate information but may not have conducted destructive testing or chemical analysis on incoming materials and chemicals. TI and TI suppliers consider certain information to be proprietary, and thus CAS numbers and other limited information may not be available for release.

In no event shall TI's liability arising out of such information exceed the total purchase price of the TI part(s) at issue in this document sold by TI to Customer on an annual basis.

DBV (R-PDSO-G6)

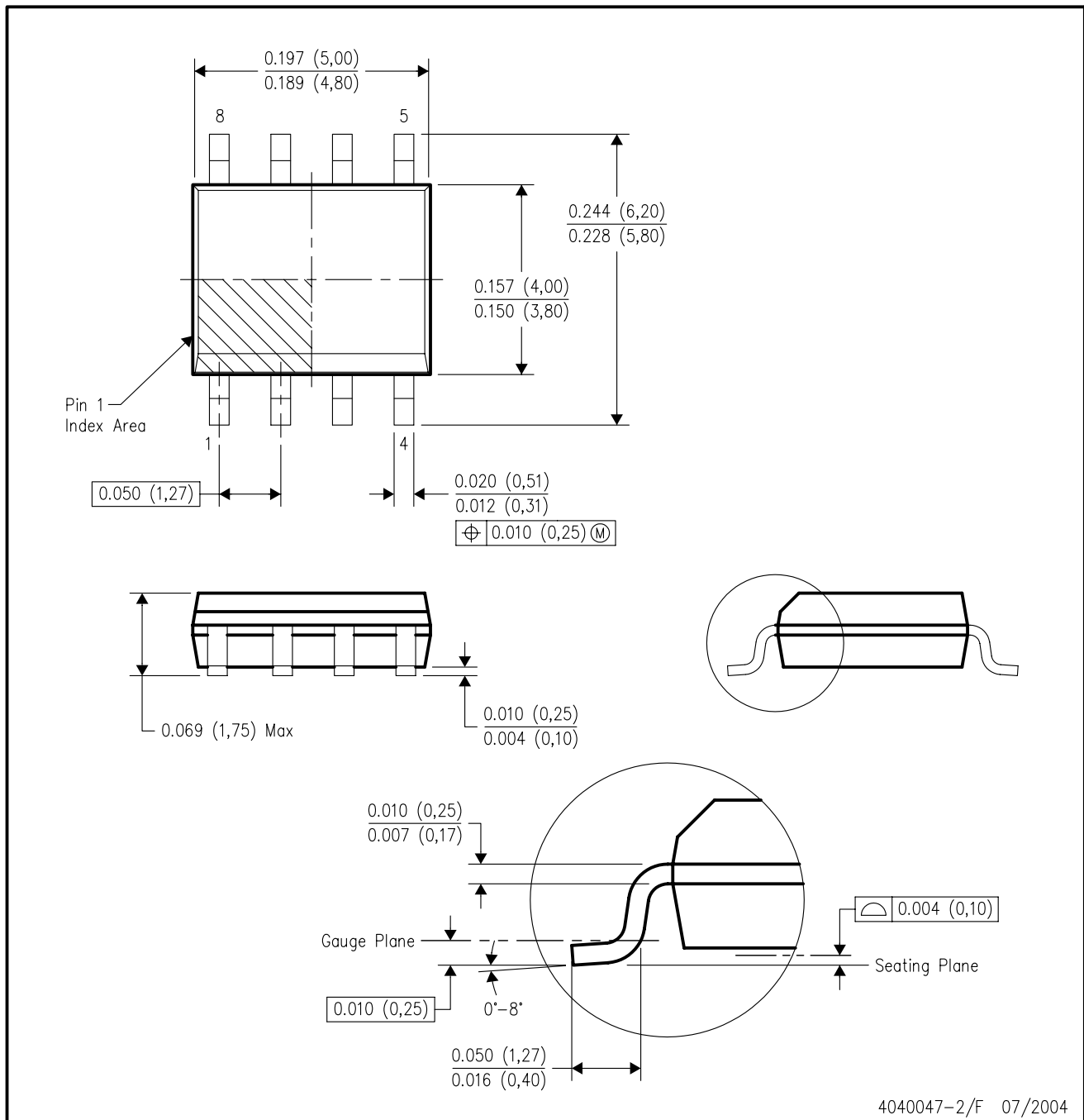
PLASTIC SMALL-OUTLINE PACKAGE



- NOTES:
- All linear dimensions are in millimeters.
  - This drawing is subject to change without notice.
  - Body dimensions do not include mold flash or protrusion.
  - Leads 1,2,3 may be wider than leads 4,5,6 for package orientation.
-  Falls within JEDEC MO-178 Variation AB, except minimum lead width.

D (R-PDSO-G8)

PLASTIC SMALL-OUTLINE PACKAGE



- NOTES:
- A. All linear dimensions are in inches (millimeters).
  - B. This drawing is subject to change without notice.
  - C. Body dimensions do not include mold flash or protrusion not to exceed 0.006 (0,15).
  - D. Falls within JEDEC MS-012 variation AA.

## IMPORTANT NOTICE

Texas Instruments Incorporated and its subsidiaries (TI) reserve the right to make corrections, modifications, enhancements, improvements, and other changes to its products and services at any time and to discontinue any product or service without notice. Customers should obtain the latest relevant information before placing orders and should verify that such information is current and complete. All products are sold subject to TI's terms and conditions of sale supplied at the time of order acknowledgment.

TI warrants performance of its hardware products to the specifications applicable at the time of sale in accordance with TI's standard warranty. Testing and other quality control techniques are used to the extent TI deems necessary to support this warranty. Except where mandated by government requirements, testing of all parameters of each product is not necessarily performed.

TI assumes no liability for applications assistance or customer product design. Customers are responsible for their products and applications using TI components. To minimize the risks associated with customer products and applications, customers should provide adequate design and operating safeguards.

TI does not warrant or represent that any license, either express or implied, is granted under any TI patent right, copyright, mask work right, or other TI intellectual property right relating to any combination, machine, or process in which TI products or services are used. Information published by TI regarding third-party products or services does not constitute a license from TI to use such products or services or a warranty or endorsement thereof. Use of such information may require a license from a third party under the patents or other intellectual property of the third party, or a license from TI under the patents or other intellectual property of TI.

Reproduction of information in TI data books or data sheets is permissible only if reproduction is without alteration and is accompanied by all associated warranties, conditions, limitations, and notices. Reproduction of this information with alteration is an unfair and deceptive business practice. TI is not responsible or liable for such altered documentation.

Resale of TI products or services with statements different from or beyond the parameters stated by TI for that product or service voids all express and any implied warranties for the associated TI product or service and is an unfair and deceptive business practice. TI is not responsible or liable for any such statements.

Following are URLs where you can obtain information on other Texas Instruments products and application solutions:

<b>Products</b>		<b>Applications</b>	
Amplifiers	<a href="http://amplifier.ti.com">amplifier.ti.com</a>	Audio	<a href="http://www.ti.com/audio">www.ti.com/audio</a>
Data Converters	<a href="http://dataconverter.ti.com">dataconverter.ti.com</a>	Automotive	<a href="http://www.ti.com/automotive">www.ti.com/automotive</a>
DSP	<a href="http://dsp.ti.com">dsp.ti.com</a>	Broadband	<a href="http://www.ti.com/broadband">www.ti.com/broadband</a>
Interface	<a href="http://interface.ti.com">interface.ti.com</a>	Digital Control	<a href="http://www.ti.com/digitalcontrol">www.ti.com/digitalcontrol</a>
Logic	<a href="http://logic.ti.com">logic.ti.com</a>	Military	<a href="http://www.ti.com/military">www.ti.com/military</a>
Power Mgmt	<a href="http://power.ti.com">power.ti.com</a>	Optical Networking	<a href="http://www.ti.com/opticalnetwork">www.ti.com/opticalnetwork</a>
Microcontrollers	<a href="http://microcontroller.ti.com">microcontroller.ti.com</a>	Security	<a href="http://www.ti.com/security">www.ti.com/security</a>
		Telephony	<a href="http://www.ti.com/telephony">www.ti.com/telephony</a>
		Video & Imaging	<a href="http://www.ti.com/video">www.ti.com/video</a>
		Wireless	<a href="http://www.ti.com/wireless">www.ti.com/wireless</a>

Mailing Address: Texas Instruments  
Post Office Box 655303 Dallas, Texas 75265

Copyright © Each Manufacturing Company.

All Datasheets cannot be modified without permission.

This datasheet has been download from :

[www.AllDataSheet.com](http://www.AllDataSheet.com)

100% Free DataSheet Search Site.

Free Download.

No Register.

Fast Search System.

[www.AllDataSheet.com](http://www.AllDataSheet.com)