

ZXCL250 ZXCL260 ZXCL280 ZXCL300 ZXCL330 ZXCL400

ULTRA SMALL MICROPOWER SC70 LOW DROPOUT REGULATORS

DESCRIPTION

The ZXCL series are very small low dropout regulators designed for use in low power and severely space limited applications.

The devices operate with a low dropout voltage, typically of only 85mV at 50mA load. Supply current is minimised with a ground pin current of only 50µA at full 150mA load. Logic control allows the devices to be shut down, consuming typically less than 10nA. These features make the device ideal for battery powered applications where power economy is critical.

The parts have been designed with space sensitive systems in mind. They are available in the ultra small SC70 package, which is half the size of other SOT23 based regulator devices.

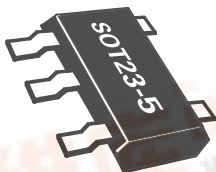
FEATURES

- 5-pin SC70 package for the ultimate in space saving
- 5-pin SOT23 industry standard pinout
- Low 85mV dropout at 50mA load
- 50µA ground pin current with full 150mA load
- Typically less than 10nA ground pin current on shutdown
- 2.5, 2.6, 2.8, 3, 3.3 and 4 volts output
- Very low noise, without bypass capacitor
- Thermal overload and over-current protection
- -40 to +85°C operating temperature range

PACKAGE FOOTPRINT



Total Aea
2.1mm x 2mm
=4.2mm²



Total Aea
2.8mm x 2.9mm
=8.12mm²

For applications requiring improved performance over alternative devices, the ZXCL is also offered in the 5 pin SOT23 package with an industry standard pinout.

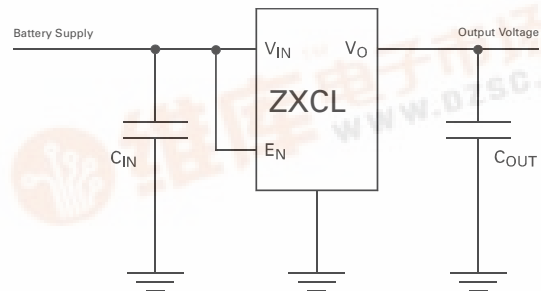
The devices feature thermal overload and over-current protection and are available with output voltages of 2.5V, 2.6V, 2.8V, 3V, 3.3V and 4V. Other voltage options between 1.5V and 4V can be provided. Contact Zetex marketing for further information.

The ZXCL series are manufactured using CMOS processing, however advanced design techniques mean that output noise is improved even when compared to other bipolar devices.

APPLICATIONS

- Cellular and Cordless phones
- Palmtop and laptop computers
- PDA
- Hand held instruments
- Camera, Camcorder, Personal Stereo
- PCMCIA cards
- Portable and Battery-powered equipment

TYPICAL APPLICATION CIRCUIT



ZXCL250 ZXCL260 ZXCL280 ZXCL300 ZXCL330 ZXCL400

ABSOLUTE MAXIMUM RATINGS

Terminal Voltage with respect to GND

V _{IN}	-0.3V to 7.0V
E _N	-0.3V to 10V
V _O	-0.3V to 5.5V

Output short circuit duration	Infinite
Continuous Power Dissipation	Internally limited
Operating Temperature Range	-40°C to +85°C
Storage Temperature Range	-55°C to +125°C

Package Power Dissipation (T_A=25°C)

SC70	300mW (Note 1)
SOT23-5	450mW (Note 1)

Stresses beyond those listed under "Absolute Maximum Ratings" may cause permanent damage to the device. These are stress ratings only, and functional operation of the device at these or any other conditions beyond those indicated in the operational sections of the specifications is not implied. Exposure to absolute maximum conditions for extended periods may affect device reliability.

ELECTRICAL CHARACTERISTICS

V_{IN} = V_O + 0.5V, typical values at T_A = 25°C V (Unless otherwise stated)

SYMBOL	PARAMETER	CONDITIONS	LIMITS			UNITS
			MIN	TYP	MAX	
V _{IN}	Input Voltage		(note2)		5.5	V
V _O	Output Voltage	I _O = 1mA ZXCL250 ZXCL260 ZXCL280 ZXCL300 ZXCL330 ZXCL400	2.450 2.548 2.744 2.940 3.234 3.920	2.5 2.6 2.8 3.0 3.3 4.0	2.550 2.652 2.856 3.060 3.366 4.080	V
		I _O = 100mA V _O + 0.5V < V _{IN} < V _{IN} max. ZXCL250 ZXCL260 ZXCL280 ZXCL300 ZXCL330 ZXCL400	2.425 2.522 2.744 2.910 3.201 3.880		2.575 2.678 2.884 3.090 3.399 4.120	V
ΔV _O /ΔT	Output Voltage Temperature Coefficient			-15		ppm/°C
I _{O(MAX)}	Output Current	ZXCL250 only	150 100			mA
I _{OLIM}	Over Current Limit	ZXCL250 only	160 105	230	800 750	mA
I _G	Ground pin current	No Load		25	50	μA
		I _O = 150mA,		50	120	μA
		I _O = 100mA,		40	100	μA

ZXCL250 ZXCL260 ZXCL280 ZXCL300 ZXCL330 ZXCL400

ELECTRICAL CHARACTERISTICS

$V_{IN} = V_O + 0.5V$, typical values at $T_A=25^\circ C$ (Unless otherwise stated)

SYMBOL	PARAMETER	CONDITIONS	LIMITS			UNITS
			MIN	TYP	MAX	
V_{DO}	Dropout Voltage Note 3	ZXCL250 $I_O=10mA$ $I_O=50mA$ $I_O=100mA$ ZXCL260 $I_O=10mA$ $I_O=50mA$ $I_O=100mA$ ZXCL280 $I_O=10mA$ $I_O=50mA$ $I_O=100mA$ ZXCL300 $I_O=10mA$ $I_O=50mA$ $I_O=100mA$ ZXCL330 $I_O=10mA$ $I_O=50mA$ $I_O=100mA$ ZXCL400 $I_O=10mA$ $I_O=50mA$ $I_O=100mA$		15 85 163	325	mV
				15 85 155	310	mV
				15 85 140	280	mV
				15 85 140	280	mV
				15 85 140	280	mV
				15 85 140	280	mV
ΔV_{LNR}	Line Regulation	$V_{IN}=(V_O+0.5V)$ to 5.5V, $I_O=1mA$		0.02	0.1	%/V
ΔV_{LDR}	Load Regulation	$I_O=1mA$ to 100mA		0.01	0.04	%/mA
E_N	Output Noise Voltage	$f=10Hz$ to 100kHz, $C_O=10\mu F$,		50		μV rms
V_{ENH}	Enable pin voltage for normal operation	$T_A = -40^\circ C$	2 2.2		10	V
V_{ENL}	Enable pin voltage for output shutdown		0		0.8	V
V_{ENHS}	Enable pin hysteresis			150		mV
I_{EN}	Enable Pin input current	$V_{EN}=5.5V$			100	nA
I_{QSD}	Shutdown supply current	$V_{EN}=0V$			1	μA
T_{SD}	Thermal Shutdown Temperature		125		165	$^\circ C$

Device testing is performed at $T_A=25^\circ C$. Device thermal performance is guaranteed by design.

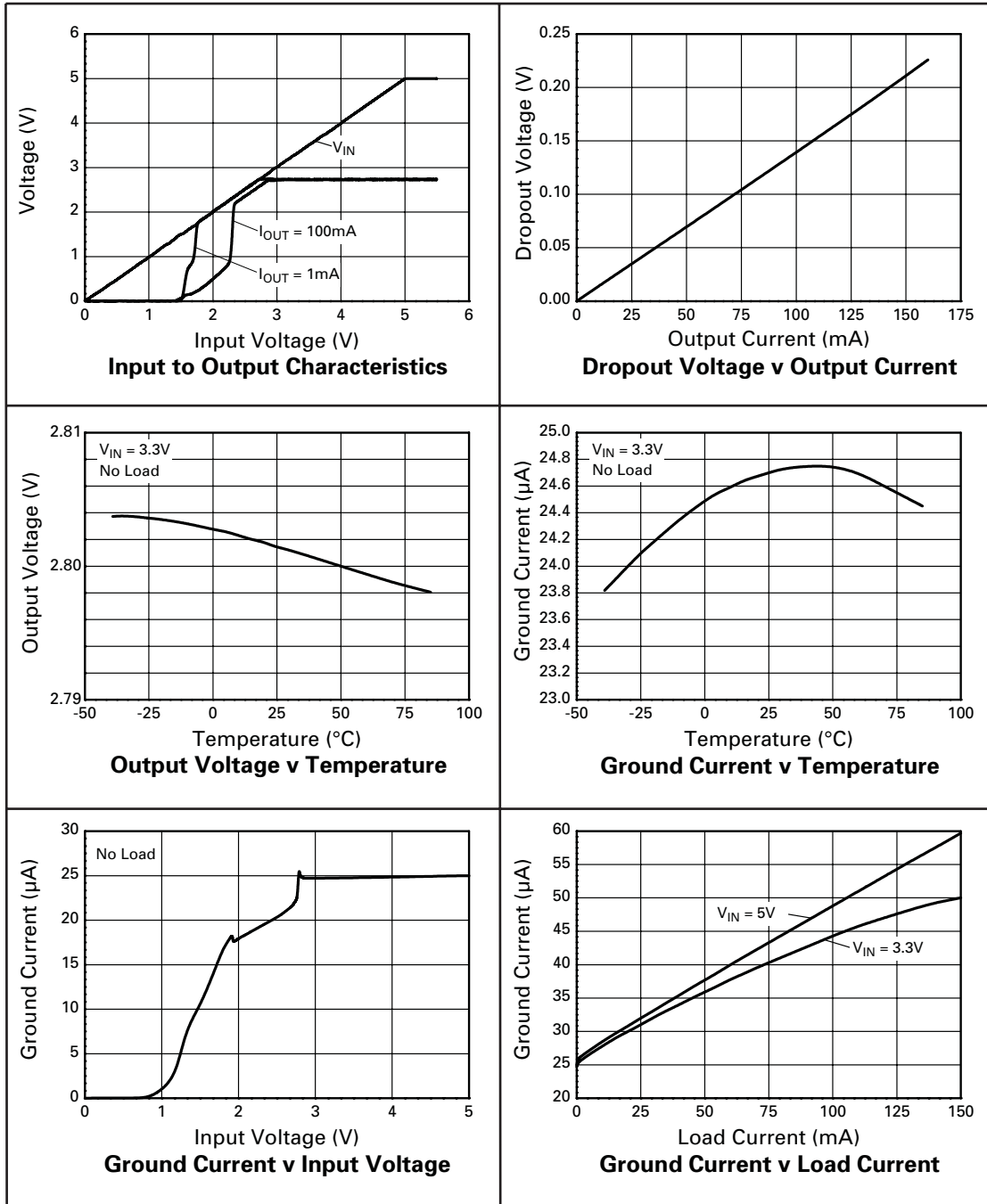
Note 1: Maximum power dissipation is calculated assuming the device is mounted on a PCB measuring 2 inches square

Note 2: Output Voltage will start to rise when V_{IN} exceeds a value of approximately 1.3V. For normal operation, $V_{IN}(\text{min}) > V_{OUT}(\text{nom}) + 0.5V$.

Note 3: Dropout voltage is defined as the difference between V_{IN} and V_O , when V_O has dropped 100mV below

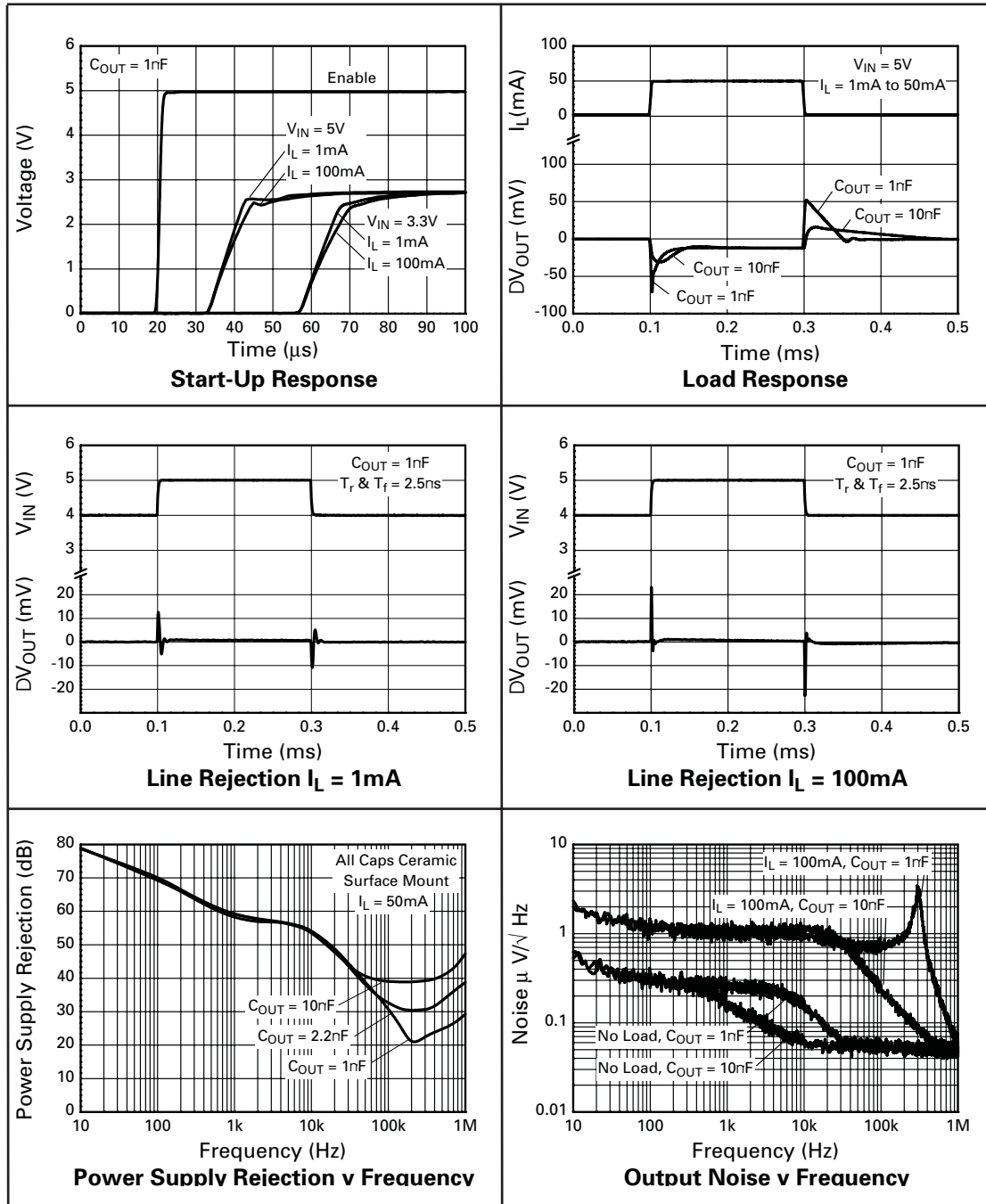
ZXCL250 ZXCL260 ZXCL280 ZXCL300 ZXCL330 ZXCL400

TYPICAL CHARACTERISTICS (ZXCL280 shown)



ZXCL250 ZXCL260 ZXCL280 ZXCL300 ZXCL330 ZXCL400

TYPICAL CHARACTERISTICS (ZXCL280 shown)

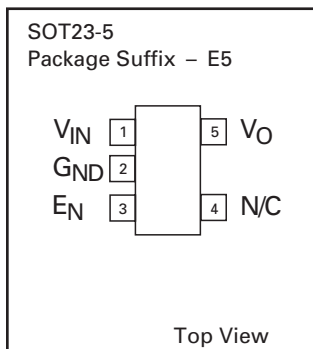


ZXCL250 ZXCL260 ZXCL280 ZXCL300 ZXCL330 ZXCL400

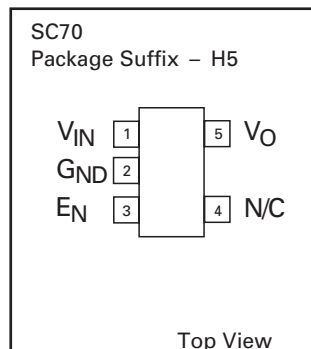
PIN DESCRIPTION

Pin Name	Pin Function
V_{IN}	Supply Voltage
G_{ND}	Ground
E_N	Active HIGH Enable input. TTL/CMOS logic compatible. Connect to V_{IN} or logic high for normal operation
N/C	No Connection
V_O	Regulator Output

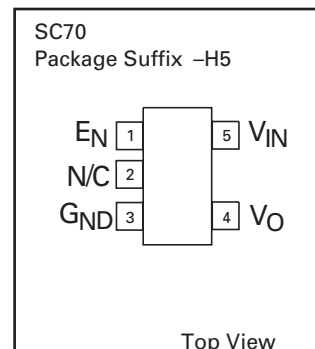
CONNECTION DIAGRAMS



ZXCLXXX

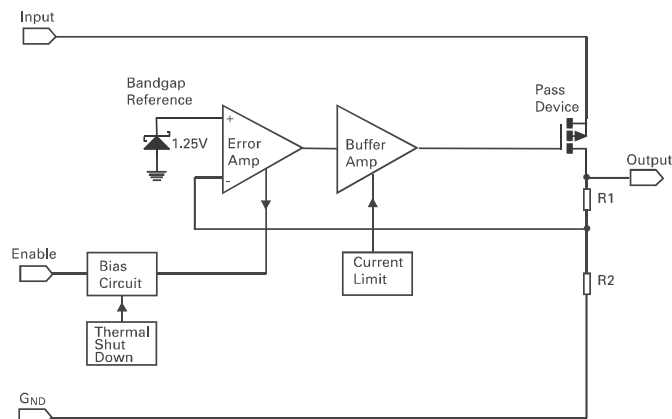


ZXCLXXX



ZXCL1XXX

SCHEMATIC DIAGRAM



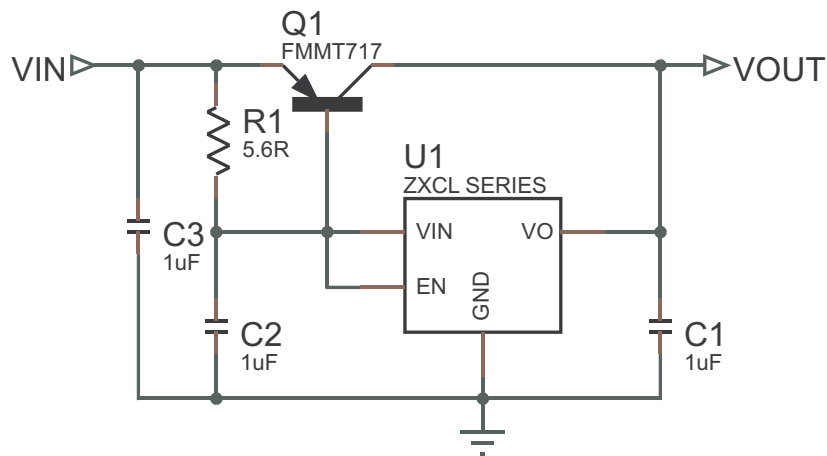
ZXCL250 ZXCL260 ZXCL280 ZXCL300 ZXCL330 ZXCL400

Input to Output Diode

In common with many other LDO regulators, the ZXCL device has an inherent diode associated with the output series pass transistor of each regulator. This diode has its anode connected to the output and its cathode to the input. The internal diode is normally reverse biased, but will conduct if the output is forced above the input by more than a V_{BE} (approximately 0.6V). Current will then flow from V_{out} to V_{in} . For safe operation, the maximum current in this diode should be limited to 5mA continuous and 30mA peak. An external schottky diode may be used to provide protection when this condition cannot be satisfied.

Increased Output current

Any ZXCL series device may be used in conjunction with an external PNP transistor to boost the output current capability. In the application circuit shown below, a FMMT717 device is employed as the external pass element. This SOT23 device can supply up to 2.5A maximum current subject to the thermal dissipation limits of the package (625mW). Alternative devices may be used to supply higher levels of current. Note that with this arrangement, the dropout voltage will be increased by the V_{BE} drop of the external device. Also, care should be taken to protect the pass transistor in the event of excessive output current.



Scheme to boost output current to 2A

ZXCL250 ZXCL260 ZXCL280 ZXCL300 ZXCL330 ZXCL400

APPLICATIONS INFORMATION

Enable Control

A TTL compatible input is provided to allow the regulator to be shut down. A low voltage on the Enable pin puts the device into shutdown mode. In this mode the regulator circuit is switched off and the quiescent current reduces to virtually zero (typically less than 10nA). A high voltage on the Enable pin ensures normal operation.

The Enable pin can be connected to V_{IN} or driven from an independent source of up to 10V maximum. (e.g. CMOS logic) for normal operation. There is no clamp diode from the Enable pin to V_{IN} , so the V_{IN} pin may be at any voltage within its operating range irrespective of the voltage on the Enable pin.

Current Limit

The ZXCL devices include a current limit circuit which restricts the maximum output current flow to typically 230mA. Practically the range of over-current should be considered as minimum 160mA to maximum 800mA. The device's robust design means that an output short circuit to any voltage between ground and V_{OUT} can be tolerated for an indefinite period.

Thermal Overload

Thermal overload protection is included on chip. When the device junction temperature exceeds a minimum 125°C the device will shut down. The sense circuit will re-activate the output as the device cools. It will then cycle until the overload is removed. The thermal overload protection will be activated when high load currents or high input to output voltage differentials cause excess dissipation in the device.

Start up delay

A small amount of hysteresis is provided on the Enable pin to ensure clean switching. This feature can be used to introduce a start up delay if required. Addition of a simple RC network on the Enable pin provides this function. The following diagram illustrates this circuit connection. The equation provided enables calculation of the delay period.

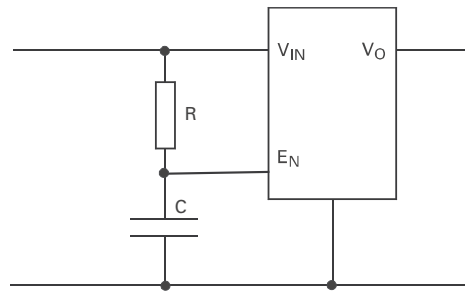


Figure 1 Circuit Connection

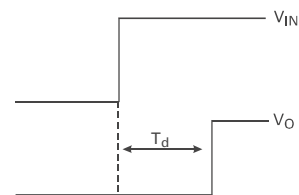


Figure 2 Start up delay (T_d)

$$T_{d(NOM)} = RC \ln \left(\frac{V_{IN}}{V_{IN} - 1.5} \right)$$

Calculation of start up delay as above

ZXCL250 ZXCL260 ZXCL280 ZXCL300 ZXCL330 ZXCL400

APPLICATIONS INFORMATION (Cont)

Power Dissipation

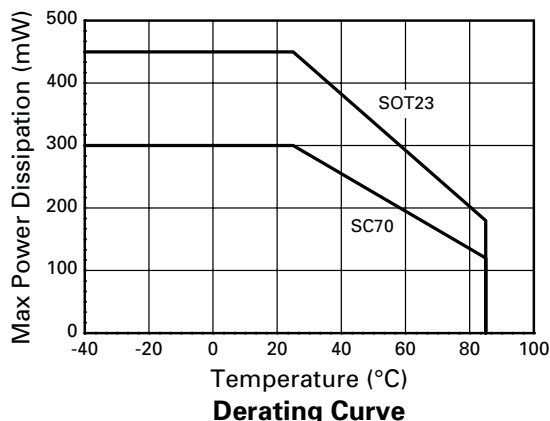
The maximum allowable power dissipation of the device for normal operation (P_{max}), is a function of the package junction to ambient thermal resistance (θ_{ja}), maximum junction temperature (T_{jmax}), and ambient temperature (T_{amb}), according to the expression:

$$P_{max} = (T_{jmax} - T_{amb}) / \theta_{ja}$$

The maximum output current (I_{max}) at a given value of Input voltage (V_{IN}) and output voltage (V_{OUT}) is then given by

$$I_{max} = P_{max} / (V_{IN} - V_{OUT})$$

The value of θ_{ja} is strongly dependent upon the type of PC board used. Using the SC70 package it will range from approximately 280 °C/W for a multi-layer board to around 450°C/W for a single sided board. It will range from 180°C/W to 300°C/W for the SOT23-5 package. To avoid entering the thermal shutdown state, T_{jmax} should be assumed to be 125°C and I_{max} less than the over-current limit, (I_{OLIM}). Power derating for the SC70 and SOT23-5 packages is shown in the following graph.



Capacitor Selection and Regulator Stability

The device is designed to operate with all types of output capacitor, including tantalum and low ESR ceramic. For stability over the full operating range from no load to maximum load, an output capacitor with a minimum value of 1µF is recommended, although this can be increased without limit to improve load transient performance. Higher values of output capacitor will also reduce output noise. Capacitors with ESR less than 0.5Ω are recommended for best results.

An input capacitor of 1µF (ceramic or tantalum) is recommended to filter supply noise at the device input and will improve ripple rejection.

The input and output capacitors should be positioned close to the device, and a ground plane board layout should be used to minimise the effects of parasitic track resistance.

Dropout Voltage

The output pass transistor is a large PMOS device, which acts like a resistor when the regulator enters the dropout region. The dropout voltage is therefore proportional to output current as shown in the typical characteristics.

Ground Current

The use of a PMOS device ensures a low value of ground current under all conditions including dropout, start-up and maximum load.

Power Supply Rejection and Load Transient Response

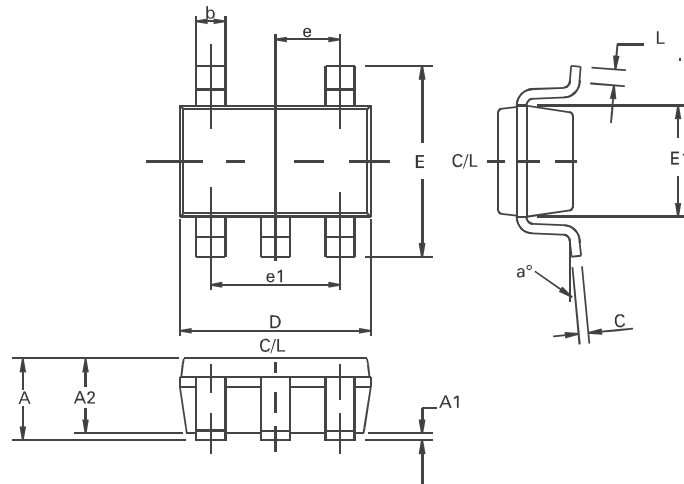
Line and Load transient response graphs are shown in the typical characteristics.

These show both the DC and dynamic shift in the output voltage with step changes of input voltage and load current, and how this is affected by the output capacitor.

If improved transient response is required, then an output capacitor with lower ESR value should be used. Larger capacitors will reduce over/undershoot, but will increase the settling time. Best results are obtained using a ground plane layout to minimise board parasitics.

ZXCL250 ZXCL260 ZXCL280 ZXCL300 ZXCL330 ZXCL400

PACKAGE DIMENSIONS



SC70		
DIM	Millimetres	
	MIN	MAX
A		1.00
A1		0.10
A2	0.70	
b	0.15	
C	0.08	
D	2.00BSC	
E	2.10BSC	
E1	1.25BSC	
e	0.65BSC	
e1	1.30BSC	
L	0.26	0.46
a°	0	8

SOT23-5		
DIM	Millimetres	
	MIN	MAX
A	0.90	1.45
A1	0.00	0.15
A2	0.90	1.3
b	0.35	0.50
C	0.09	0.20
D	2.80	3.00
E	2.60	3.00
E1	1.50	1.75
e	0.95 REF	
e1	1.90 REF	
L	0.10	0.60
a°	0	10

ZXCL250 ZXCL260 ZXCL280 ZXCL300 ZXCL330 ZXCL400

ORDERING INFORMATION

DEVICE	Output Voltage V	Package	Partmarking
ZXCL250H5	2.5	SC70	L25A
ZXCL260H5	2.6	SC70	L26A
ZXCL280H5	2.8	SC70	L28A
ZXCL300H5	3.0	SC70	L30A
ZXCL330H5	3.3	SC70	L33A
ZXCL400H5	4.0	SC70	L40A
ZXCL1250H5	2.5	SC70	L25C
ZXCL1260H5	2.6	SC70	L26C
ZXCL1280H5	2.8	SC70	L28C
ZXCL1300H5	3.0	SC70	L30C
ZXCL1330H5	3.3	SC70	L33C
ZXCL1400H5	4.0	SC70	L40C
ZXCL250E5	2.5	SOT23-5	L25B
ZXCL260E5	2.6	SOT23-5	L26B
ZXCL280E5	2.8	SOT23-5	L28B
ZXCL300E5	3.0	SOT23-5	L30B
ZXCL330E5	3.3	SOT23-5	L33B
ZXCL400E5	4.0	SOT23-5	L40B

© Zetex plc 2001

Zetex plc
Fields New Road
Chadderton
Oldham, OL9 8NP
United Kingdom
Telephone (44) 161 622 4422
Fax: (44) 161 622 4420

Zetex GmbH
Streitfeldstraße 19
D-81673 München
Germany
Telefon: (49) 89 45 49 49 0
Fax: (49) 89 45 49 49 49

Zetex Inc
700 Veterans Memorial Hwy
Hauppauge, NY11788
USA
Telephone: (631) 360 2222
Fax: (631) 360 8222

Zetex (Asia) Ltd
3701-04 Metroplaza, Tower 1
Hing Fong Road
Kwai Fong, Hong Kong
China
Telephone: (852) 26100 611
Fax: (852) 24250 494

These offices are supported by agents and distributors in major countries world-wide.

This publication is issued to provide outline information only which (unless agreed by the Company in writing) may not be used, applied or reproduced for any purpose or form part of any order or contract or be regarded as a representation relating to the products or services concerned. The Company reserves the right to alter without notice the specification, design, price or conditions of supply of any product or service.

For the latest product information, log on to www.zetex.com

ISSUE 5 - NOVEMBER 2001