

OBT400-L2-..-V1

[查询"49789"供应商](#)

Series  
VariKont®

Reflection light scanner

# OBT400-L2-..-V1

with 4-pin, M12 connector

CE

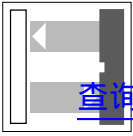


- ◆ Sensing range up to 400 mm
- ◆ Pre-fault indication
- ◆ Visible red light
- ◆ Positioning of the sensor head is possible in two planes
- ◆ Protection degree IP67
- ◆ Mounting only with one tool: the screwdriver
- ◆ Light/dark ON, programmable

For suitable cable sockets, reflectors and mounting aids refer to chapter "accessories".

Date of issue: 10/8/01

Ordering code		OBT400-L2-E0-V1	OBT400-L2-E2-V1	OBT400-L2-E4-V1	OBT400-L2-E5-V1
Detection range	0 ... 400 mm	◆	◆	◆	◆
Adjustment range	50 ... 400 mm	◆	◆	◆	◆
Reference target	Standard white 200 mm x 200 mm	◆	◆	◆	◆
Light source	LED	◆	◆	◆	◆
Light type	Red, alternating light	◆	◆	◆	◆
Ambient light limit	15000 Lux	◆	◆	◆	◆
Standard conformity	EN 60947-5-2	◆	◆	◆	◆
Approvals	CE	◆	◆	◆	◆
Function display	LED yellow: switching state LED red: pre-fault indication	◆	◆	◆	◆
Controls	sensitivity adjuster	◆	◆	◆	◆
Operating voltage	10 ... 30 V DC	◆	◆	◆	◆
Ripple	10 %	◆	◆	◆	◆
No-load supply current	≤ 20 mA	◆	◆	◆	◆
Time delay before availability	≤ 20 ms	◆	◆	◆	◆
<b>Signal output</b>	1 switch output npn, NO	◆			
	1 switch output pnp, NO		◆		
	1 switch output, npn, NO/NC			◆	
	1 switch output pnp, NC/NO				◆
<b>Switching type</b>	Light on	◆	◆		
	light/dark switching			◆	◆
Switching voltage	max. 30 V DC	◆	◆	◆	◆
Switching current	max. 250 mA	◆	◆	◆	◆
Voltage drop	≤ 1.5 V	◆	◆	◆	◆
Switching frequency	≤ 200 Hz	◆	◆	◆	◆
Response time	≤ 2.5 ms	◆	◆	◆	◆
Ambient temperature	-25 ... +70 °C	◆	◆	◆	◆
Storage temperature	-40 ... +80 °C	◆	◆	◆	◆
Protection degree	IP67	◆	◆	◆	◆
Connection type	Connector M12 x 1, 4-pin	◆	◆	◆	◆
Housing	PBT	◆	◆	◆	◆
Light exit	Scratch resistant plastic lens	◆	◆	◆	◆
Mass	60 g	◆	◆	◆	◆



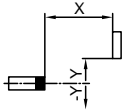
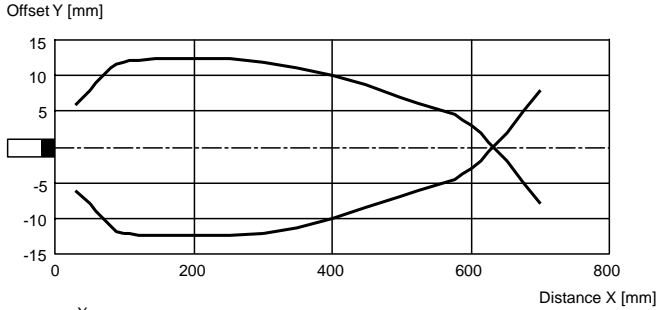
# OBT400-L2-..-V1

[查询"49789"供应商](#)

Series  
VariKont®

## Diagrams

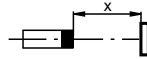
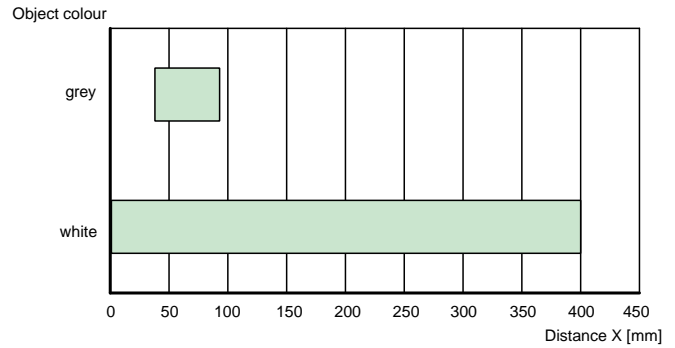
### Characteristic response curve



Permissible distance (offset) between optical axis and object.

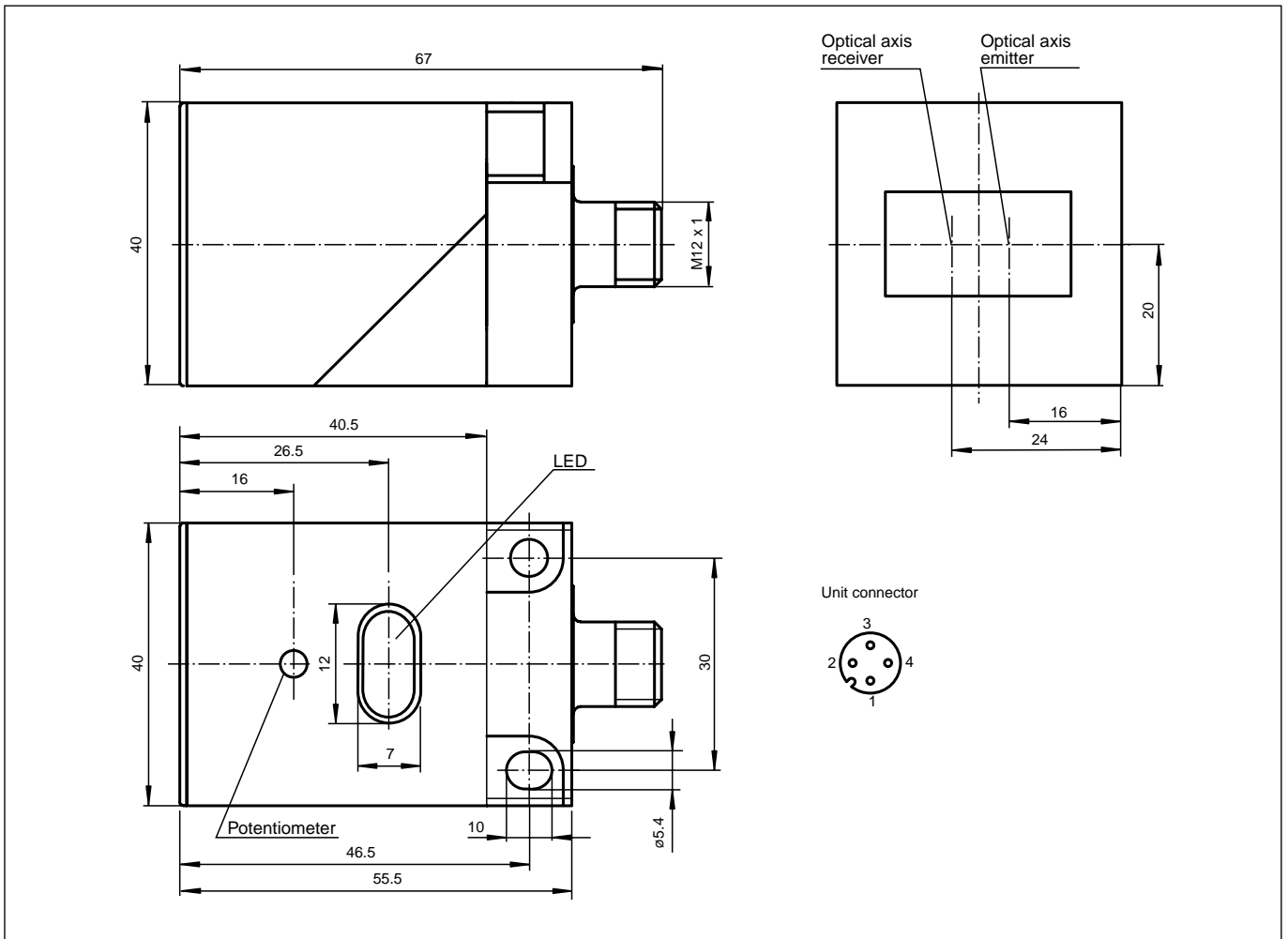
### Detection ranges

MLV13-8-400

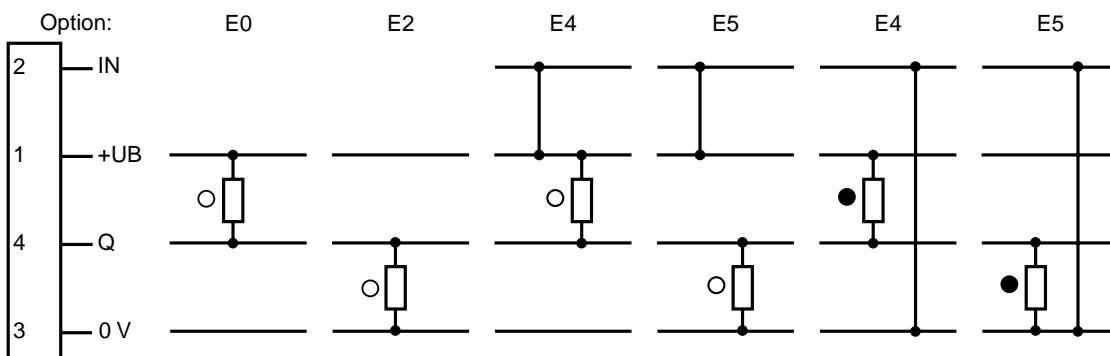


Dimensions

Series VariKomf®



Electrical Connection



○ = Light ON, ● = Dark ON